

MAXFLAM 30 AB  
MAXFLAM 50 AB



Technical data  
Dati tecnici  
Données techniques  
Datos técnicos  
Технические характеристики



Operating instructions  
Istruzioni per l'uso  
Notice d'emploi  
Manual de uso  
Руководство по эксплуатации



Electric diagrams  
Schemi elettrico  
Schémas électrique  
Esquemas eléctrico  
Электрические схемы



Spare parts list  
Parti ricambi  
Pièces de rechange  
Piezas de recambio  
Запчасти



420010537801

|                              |                   |
|------------------------------|-------------------|
| MAXFLAM 30 AB TC 400-50      | 3143330 (3142600) |
| MAXFLAM 30 AB TL 400-50      | 3143331 (3142601) |
| MAXFLAM 30 AB TL M100 400-50 | 3147788           |
| MAXFLAM 50 AB TC 400-50      | 3143332 (3142602) |
| MAXFLAM 50 AB TL 400-50      | 3143333 (3142603) |

**Overview - Index of contents / Panoramica - Indice dei contenuti / Vue d'ensemble - Table des matières**  
**Descripción - Sumario / Обзор - Содержание**

|  |                                       |                |
|--|---------------------------------------|----------------|
| <p>Conformity declaration<br/>         Dichiarazione di conformità<br/>         Déclaration de conformité<br/>         Declaración de conformidad<br/>         Сертификат соответствия</p> | <p>EN<br/>IT<br/>FR<br/>ES<br/>RU</p> | <p>3</p>       |
| <p>Technical data<br/>         Dati tecnici<br/>         Données techniques<br/>         Datos técnicos<br/>         Технические характеристики</p>  | <p>EN<br/>IT<br/>FR<br/>ES<br/>RU</p> | <p>4</p>       |
| <p>Working diagrams<br/>         Campi di lavoro<br/>         Domaine de fonctionnement<br/>         Ámbito de funcionamiento<br/>         Рабочий диапазон</p>                            | <p>EN<br/>IT<br/>FR<br/>ES<br/>RU</p> | <p>5</p>       |
| <p>Dimensions<br/>         Dimensioni<br/>         Dimensions<br/>         Dimensiones<br/>         Размеры</p>  | <p>EN<br/>IT<br/>FR<br/>ES<br/>RU</p> | <p>6</p>       |
| <p>Operating instructions for authorised specialists</p>   | <p>EN</p>                             | <p>7 - 19</p>  |
| <p>Istruzione per l'uso per il personale qualificato</p>   | <p>IT</p>                             | <p>20 - 32</p> |
| <p>Notice d'emploi pour l'installateur spécialiste</p>   | <p>FR</p>                             | <p>33 - 45</p> |
| <p>Instrucciones de montaje para el instalador especialista</p>  | <p>ES</p>                             | <p>46 - 58</p> |
| <p>Инструкция по эксплуатации Предназначено для квалифицированных специалистов по установке</p>  | <p>RU</p>                             | <p>59 - 71</p> |
| <p>Electric diagrams<br/>         Schemi elettrico<br/>         Schémas électrique<br/>         Esquemas eléctrico<br/>         Электрические схемы</p>                                    | <p>EN<br/>IT<br/>FR<br/>ES<br/>RU</p> | <p>72 - 74</p> |
| <p>Spare parts list<br/>         Parti di ricambio<br/>         Pièces de rechange<br/>         Piezas de recambio<br/>         Запчасти</p>   | <p>EN<br/>IT<br/>FR<br/>ES<br/>RU</p> | <p>75 - 77</p> |



## DICHIARAZIONE DI CONFORMITÀ DECLARATION OF CONFORMITY

La scrivente ditta  
*The writing company*

**ECOFLAM BRUCIATORI S.p.A.**

Con sede in via Roma, 64 – Resana (TV)  
*Address: via Roma, 64 – Resana (TV)*

**DICHIARA  
DECLARE**

Sotto la propria responsabilità, che tutti i propri bruciatori di gasolio tipo **MAX ...**, **MAIOR...**, bruciatori di kerosene tipo **MAX ...**, **MAIOR...** e di olio combustibile tipo **MAXFLAM...**, **OILFLAM...** sono conformi a:

*Under their sole responsibility that all the **light oil burners MAX ...**, **MAIOR ... series**, **kerosene burners MAX ...**, **MAIOR ... series** and **heavy oil burners MAXFLAM ...**, **OILFLAM ... series** comply with requirements included in the following European Directives and Standards:*

- 2014/35/UE Direttiva bassa tensione (Low voltage directive)
- 2014/30/UE Direttiva EMC (EMC directive)
- 2006/42/EC Direttiva macchine (Machine directive)
- 2011/65/EU Direttiva RoHS2 (RoHS2 directive)
- EN 267
- EN 50156-1
- EN 55014-1
- EN 55014-2
- EN 60335-1
- EN 60335-2-102
- EN 61000-6-2
- EN 61000-6-3

**Date/Authorized Signature**

**September 2020 / Mr. Alessandro Rubboli**

Title of Signatory

R&D Manager

ECOFLAM BRUCIATORI S.p.A.

Sede operativa:

Via Roma, 64 - 31023 Resana (TV), Italy

Tel.: +39 (0) 423 719 500

Fax. +39 (0) 423 719 580

www.ecoflam-burners.com

Sede legale:

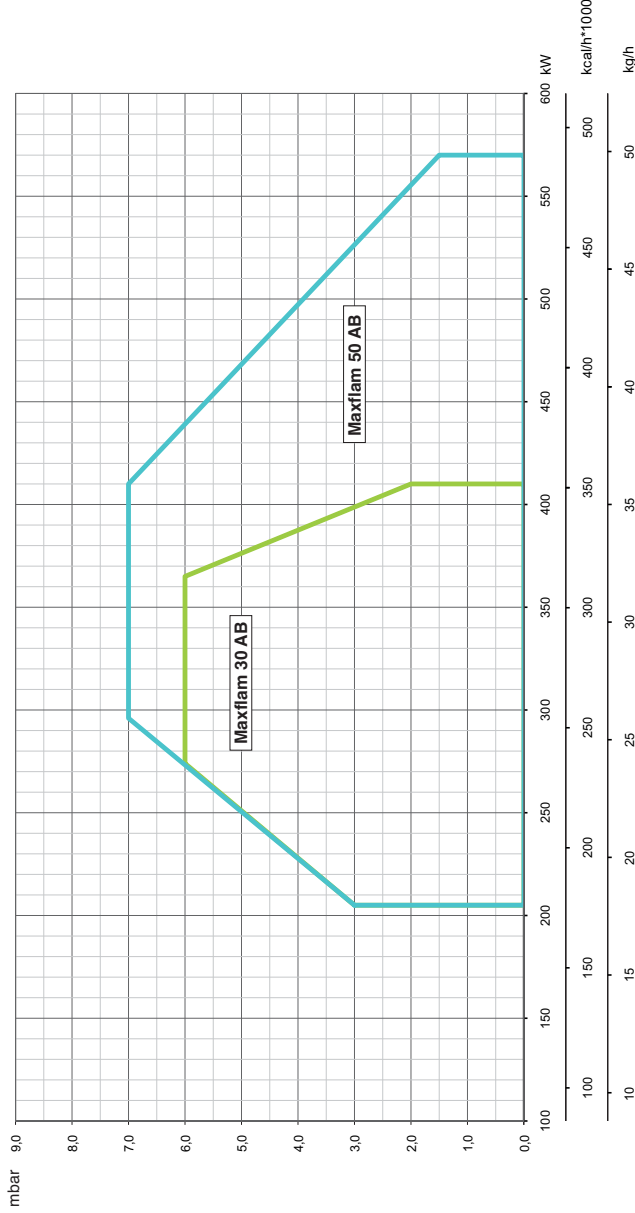
Viale Aristide Merloni, 45 - 60044 Fabriano(AN)

P.IVA e CF 00879740264

società soqgetta alla direzione e al coordinamento della Ariston Thermo S.p.A., via A. Merloni, 45 - 60044 Fabriano (AN) CF

## Overview / Panoramica / Vue d'ensemble / Descripción / Обзор

| Technical data - Dati tecnici - Données techniques - Datos técnicos - Технические характеристики |  | MAXFLAM 30 AB                                 |   | MAXFLAM 50 AB   |   |
|--|--|---|---|---|---|
| Burner output<br>max/min kW - kcal/h   | Potenza bruciatore<br>max/min kW - kcal/h  | Puissance du brûleur<br>max/min kW - kcal/h   | Potencia del quemador<br>máx/min kW - kcal/h    | Мощность горелки<br>макс./мин., кВт - ккал/час          | 205<br>570  |
| Oil throughput<br>max/min kg/h   | Portata gasolio<br>max/min kg/h            | Débit de fuel<br>max/min kg/h                 | Caudal de fuel pesado<br>máx/min kg/h           | Расход топлива<br>макс./мин., кг/ч                      | 176400<br>490000  |
| Operation type<br>(stage)  | Sistema idraulico<br>(stadio)              | Système hydraulique<br>2 allure               | Sistema hidráulico<br>2 etapa                   | Гидросистема<br>2 ступень                               | 18<br>50  |
| Regulating ratio   | Rapporto di<br>regolazione                 | Rapport de régulation                         | Relación de<br>regulación                       | Кэффициент<br>регулирувания                             | 2<br>1:2  |
| Fuel oil   | Combustibile                               | Fuel  | Combustible                                     | Топливо   | Heavy oil (L.C.V. 9.800 kcal/kg max. visc 50°E at 50°C)<br>max. visc 100°E at 50°C for version M100 |
| Emission class   | Classe di emissione                        | Classe d'émission                             | Tipo de emisión                                 | Класс выделения<br>загрязняющих веществ                 | -   |
| Control box  | Apparecchiatura di<br>controllo            | Coffret de sécurité                           | Cajetín de seguridad                            | Блок управления и<br>безопасности                       | Siemens LMO 44  |
| Air regulation<br>Air flap   | Regolazione aria<br>Serranda dell'aria     | Réglage de l'air<br>Volet d'air               | Ajuste del aire<br>Válvula de aire              | Настройка подачи воздуха<br>Воздушная заслонка          | -   |
| Flame monitor  | Rivelatore di fiamma                       | Surveillance<br>de flamme                     | Vigilancia de llama                             | Контроль пламени  | photoresistor   |
| Ignition transformer   | Trasformatore<br>d'accensione              | Allumeur                                      | Encendedor                                      | Устройство розжига                                      | cofi  |
| Fuel-oil pump  | Pompa di pressione                         | Pompe de<br>pulvérisation                     | Bomba de pulverización                          | Насос распыления мазут                                  | suntec  |
| Electric motor<br>rpm - watt   | Motore elettrico<br>giri motore - watt     | Moteur<br>rpm - watt                          | Motor<br>rpm - watt                             | Электродвигатель<br>об/мин - watt                       | 2800 rpm<br>740 W   |
| Voltage  | Tensione                                   | Tension                                       | Tensión   | Напряжение  | 230/400 V / 50 Hz   |
| Power consumption<br>(operation)   | Potenza elettrica<br>assorbita (Esercizio) | Puissance électrique<br>absorbée (en service) | Pot. eléctrica absorbida<br>(en funcionamiento) | Потребляемая<br>электрическая<br>мощность: (при работе) | 6000 W<br>6500 W  |
| Net weight   | Peso netto                                 | Poids net                                     | Peso neto                                       | Приблизительная масса                                   | 61,1(62,1) kg<br>64,7 (65,5) kg   |
| Protection level   | Classe di protezione                       | Indice de protection                          | Índice de protección                            | Класс электрозащиты                                     | IP40  |
| Sound pressure<br>level dB(A)  | Livello pressione<br>sonora dB(A)          | Niveau pression<br>acoustique dB(A)           | Nivel de presión<br>acústico dB(A)              | Уровень шума, dB(A)                                     | 74<br>76  |
| Ambient temp. for<br>storage   | Temperatura ambiente<br>di stoccaggio      | Température ambiente<br>de stockage           | Temperatura ambiente<br>de almacenamiento       | температура хранения                                    | -20°...+60° C   |
| Temperature<br>for use   | Temperatura<br>d'utilizzazione             | Température<br>d'utilisation                  | Temperatura ambiente<br>de utilización          | Рабочая температура                                     | -10°...+60° C   |



### Working diagram

The working diagram shows burner output as a function of combustion chamber pressure. It corresponds to the maximum values specified by EN 267 measured at the test fire tube. **The efficiency rating of the boiler should be taken into account when selecting a burner.**

Calculation of burner output:

$$QF = \frac{Q_N}{\eta_K}$$

QF = Burner output (kW)

Q<sub>N</sub> = Rated boiler output (kW)

η<sub>K</sub> = Boiler efficiency (%)

### Curva

Il campo di attività indica la potenza del bruciatore in funzione della pressione della camera di combustione. Corrisponde ai valori massimi previsti dalla norma EN 267 misurati sul tubo della fiamma di controllo.

**In occasione della scelta del bruciatore si deve tenere conto del rendimento energetico della caldaia.**

Calcolo della potenza del bruciatore:

$$QF = \frac{Q_N}{\eta_K}$$

QF= potenza bruciata (kW)

Q<sub>N</sub>= potenza nominale della caldaia (kW)

η<sub>K</sub> = rendimento energetico della caldaia (%)

### Domaine de fonctionnement

Le domaine de fonctionnement correspond aux valeurs mesurées lors de l'homologation. Elle correspond aux valeurs max mesurées sur tunnel d'essai d'après l'EN 267.

**Pour le choix du brûleur, tenir compte du rendement de la chaudière.**

Calcul de la puissance calorifique:

$$QF = \frac{Q_N}{\eta_K}$$

QF= Puissance calorifique (kW)

Q<sub>N</sub>= Puissance nominale chaudière (kW)

η<sub>K</sub> = Rendement chaudière (%)

### Ámbito de funcionamiento

El ámbito de funcionamiento corresponde a los valores registrados en el momento de la homologación. Corresponde a los valores máx medidos en el túnel de ensayo según la EN 267.

**Para la elección del quemador, se ha de tener en cuenta el rendimiento de la caldera.**

Cálculo de la potencia calorífica:

$$QF = \frac{Q_N}{\eta_K}$$

QF = Potencia calorífica (kW)

Q<sub>N</sub> = Potencia nominal de la caldera (kW)

η<sub>K</sub> = Rendimiento de la caldera (%)

### Рабочий диапазон

Рабочий диапазон соответствует значениям, измеренным при сертификации.

Он соответствует максимальным значениям, измеренным в соответствии со стандартом EN 267 в стандартном канале.

**При выборе горелки необходимо учитывать КПД котла.**

Расчет тепловой мощности:

$$QF = \frac{Q_N}{\eta_K}$$

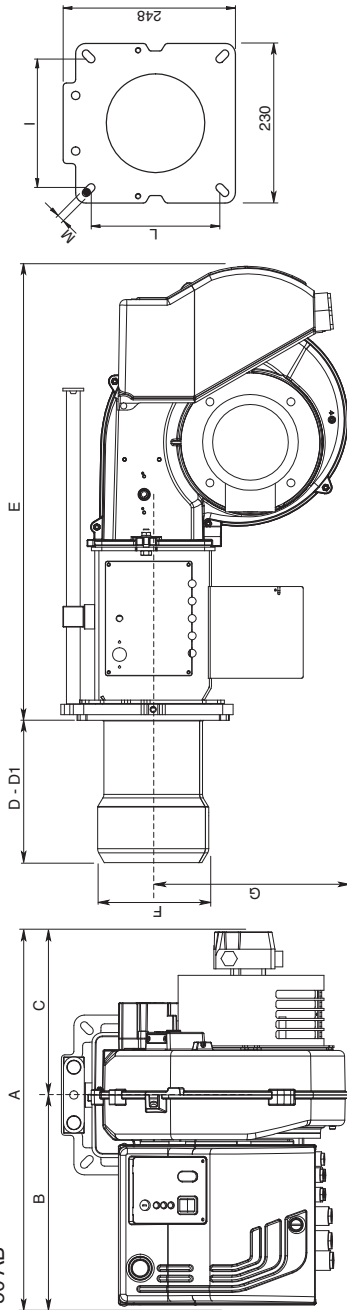
QF = Тепловая мощность, кВт

Q<sub>N</sub>= Номинальная мощность котла, кВт

η<sub>K</sub> = КПД котла, %

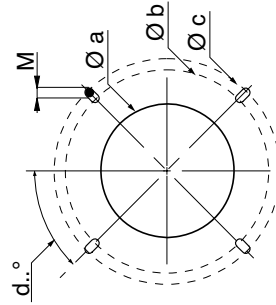
Overview - Dimensions / Panoramica - Dimensioni / Vue d'ensemble - Dimensions / Descripción - Dimensiones / Обзор - Размеры

MAX FLAM 30 - 50 AB



| Model         | A   | B   | C   | D   | D1  | E   | F   | G   | I       | L       | M   |
|---------------|-----|-----|-----|-----|-----|-----|-----|-----|---------|---------|-----|
| MAXFLAM 30 AB | 562 | 302 | 260 | 205 | 325 | 653 | 170 | 280 | 185/200 | 185/200 | M10 |
| MAXFLAM 50 AB | 562 | 302 | 260 | 205 | 325 | 653 | 170 | 280 | 185/200 | 185/200 | M10 |

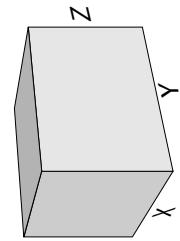
Boiler plate drilling



| Model         | Ø a | Ø b | Ø c |
|---------------|-----|-----|-----|
| MAXFLAM 30 AB | 170 | 262 | 283 |
| MAXFLAM 50 AB | 170 | 262 | 283 |

Packaging

| Model         | X   | Y    | Z   | Kg      |
|---------------|-----|------|-----|---------|
| MAXFLAM 30 AB | 786 | 1045 | 565 | 69 (70) |
| MAXFLAM 50 AB | 786 | 1045 | 565 | 73 (74) |



## Contents - Index - General warnings

|                     |  |       |
|---------------------|--|-------|
| <b>Overview</b>     | Conformity declaration                                 | 3     |
|                     | Technical data   | 4     |
|                     | Working diagrams                                       | 5     |
|                     | Dimensions   | 6     |
| <b>Contents</b>     | Index  | 7     |
|                     | General warnings                                       | 7     |
|                     | Burner description                                     | 8     |
| <b>Function</b>     | General safety functions                               | 9     |
|                     | Siemens LMO 44 control and safety unit                 | 10    |
|                     | Oil burner pump  | 11    |
| <b>Installation</b> | Burner assembly  | 12    |
|                     | Electrical connection                                  | 13    |
|                     | Checks before commissioning                            | 13    |
|                     | Heavy oil feeding and suction line                     | 14    |
| <b>Start up</b>     | Setting data table - air regulation                    | 16    |
|                     | Adjusting burner output                                | 17    |
|                     | Oil pressure regulation - Recording commissioning data | 17    |
| <b>Service</b>      | Maintenance  | 18    |
|                     | Troubleshooting  | 19    |
| <b>Overview</b>     | Electrical diagrams                                    | 72-74 |
|                     | Spare parts list                                       | 75-77 |

### Important notes

Ecoflam burners have been designed and built in compliance with all current regulations and directives.



**All burners comply to the safety and energy saving operation regulations within the standard of their respective performance range.**



**The burner must not operate outside the working range.**

The quality is guaranteed by a quality and management system certified in accordance with ISO 9001:2008.

The MAXFLAM burners are designed for the combustion of heavy oil.



**The burners comply with standard EN267. Assembly and commissioning must be carried out only by authorised specialists and all applicable guidelines and directives must be observed.**

### Burner description

The MAXFLAM burner is a two-stage, fully-automatic monoblock type burners. Burner head is designed to get the lowest emissions in terms of NOx and unburnt particles in order to maximize the heat generator efficiency. Emissions can be different respect to the ones recorded in the lab because they depends a lot on the generator on which the burner is fit.

The installer must comply with compulsory

rules. Avoid for instance dangerous atmosphere or not ventilated rooms.

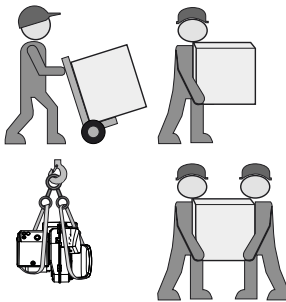
### Packaging and handling

Move the burner still in its packaging using a trolley or forklift, taking care not to drop it and elevating it no more than 20cm from ground level. After having removed the packaging, check that the contents are in good condition and correspond with what was ordered. If in doubt, contact the manufacturer.



**The burner must be installed by a qualified individual.**

If the weight and dimensions do not allow for manual lifting, ask another operator for



help or use a forklift, harness the burner using belts if no eyebolts are available.



Use the accessories provided (flange, gasket, pins and nuts) to install the burner onto the boiler, taking care not to damage the isolating gasket.

**We can accept no warranty liability whatsoever for loss, damage or injury caused by any of the following:**

- Inappropriate use.
- Incorrect assembly or repair by the customer or any third party, including the fitting of non-original parts.

### Provision of the system and the operating instructions

The firing system manufacturer must supply the operator of the system with operating and maintenance instructions on or before final delivery. These instructions should be displayed in a prominent location at the point of installation of the heat generator, and should include the address and telephone number of the nearest customer service centre.

### Notes for the operator

The system should be inspected by a specialist at least once a year. It is advisable to take out a maintenance contract to guarantee regular servicing.

# Contents - Burner description

**MAXFLAM 30 AB TC 230-400-50**

**RANGE NAME BY FUEL TYPE**

**MAXFLAM** Heavy oil

**MODEL SIZE (Gas: kW; Oil: kg/h)**

**MAXFLAM 30** 36 kg/h - 410 kW

**OPERATION TYPE**

- 1 stage  
 AB 2 stages

**HEAD TYPE**

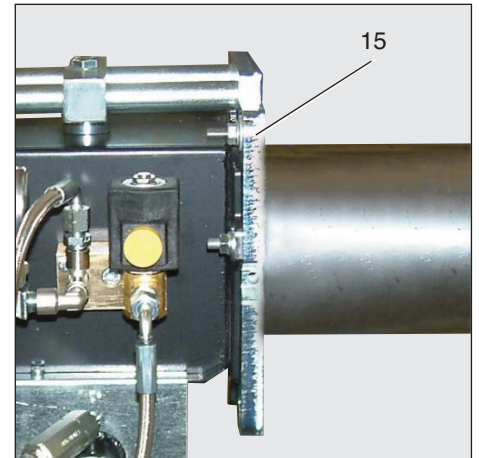
TC Short head  
 TL Long head

**FUEL**

Heavy oil

**ELECTRICAL POWER SUPPLY**

**230-400-50** 230-400 Volt, 50 Hz

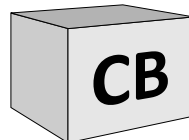


- A1 Siemens LMO44 control box
- M1 Electric motor for pump and blower wheel
- T1 Ignition transformer
- 5 Fastening screws for equipment plate
- 9 Electric switch board
- 15 Burner flange
- 16 Release knob
- 102 Heavy-oil pump
- 103B Air regulation
- 113 Air intake

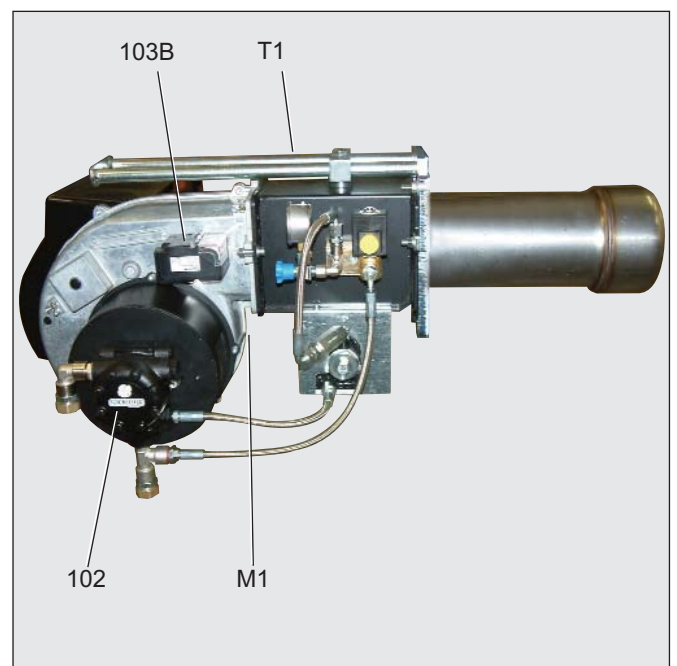
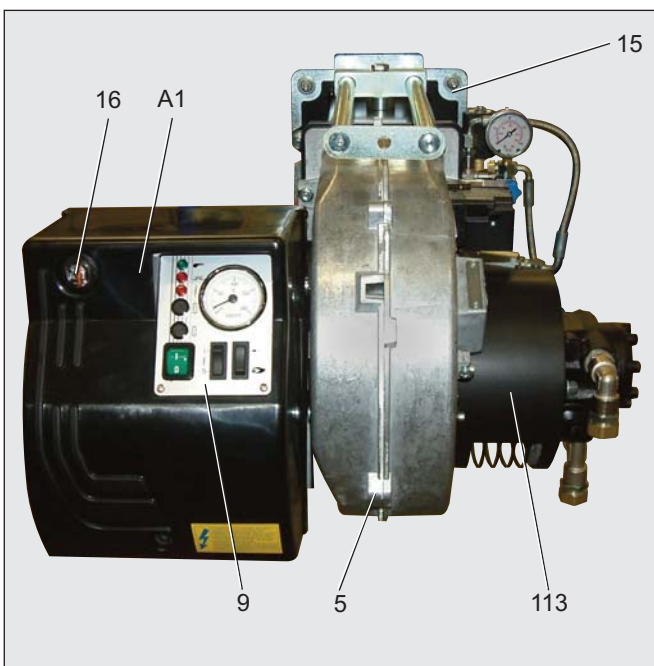
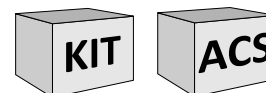
**Scope of delivery**

CB: COMPLETE BURNER

- 1 bag including :
  - multilanguage technical manual.
  - filter and hoses.
  - nozzle and spanner.
  - screws, nuts and washer.



**KIT & ACS delivered separately**



## Function - General safety functions

### Operating function

- Switch-on the burner. When reaching the preset temperature on the working thermostat, and with boiler's thermostat closed, the control box starts the fan, the fuel pump and the ignition transformer. At the same time, the resistors are activated, to keep fuel temperature into the heater at a constant value.
- The motor starts, the igniter is switched on and the preventilation period of 25 seconds commences.
- During the preventilation period, the furnace is monitored for flame signals.
- At the end of the preventilation period, the fuel-oil solenoid valve opens and the burner starts.
- The igniter remains switched off while the burner is in operation.

- The fuel-oil solenoid valve closes and the flame is extinguished.
- Burner motor switches off.
- Burner enters standby.

### Safety function

A safety shutdown occurs:

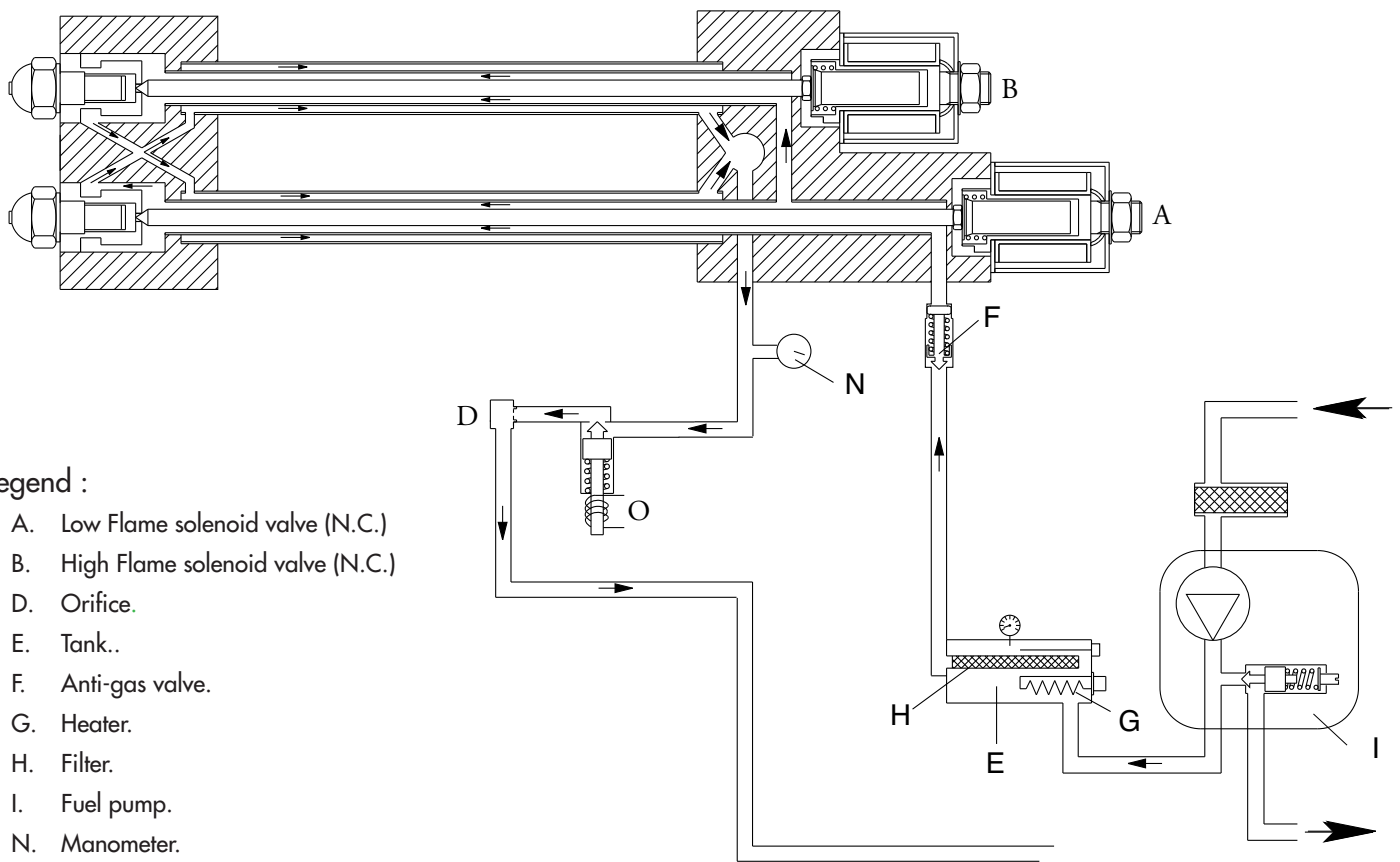
- if a flame signal is present during preventilation (parasitic flame monitoring).
- if no flame is produced within 5 seconds (safety time) of start-up (fuel authorisation).
- if no flame is produced after an unsuccessful restart attempt in the event of flame failure during operation.

A safety shutdown is indicated by the malfunction lamp lighting up and it is then only possible to reenale the burner by pressing the reset button after the cause of the malfunction has been rectified.

For further information, see the automatic combustion control unit description.

### Controlled shutdown

- Boiler thermostat interrupts heat request.

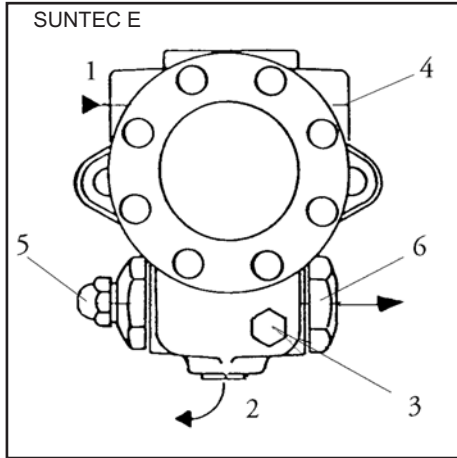


### Legend :

- A. Low Flame solenoid valve (N.C.)
- B. High Flame solenoid valve (N.C.)
- D. Orifice.
- E. Tank..
- F. Anti-gas valve.
- G. Heater.
- H. Filter.
- I. Fuel pump.
- N. Manometer.
- O. Solenoid valve (N.O.).
- N.C. = Norm. closed
- N.O. = Norm. open



## Function - Oil burner pump



- 1 suction intake connection.
- 2 return connection.
- 3 oil pressure gauge connection.
- 4 negative pressure gauge connection.
- 5 oil pressure regulator.
- 6 pressure connection

The heavy oil burner pump used is a self-priming gear pump, which must be connected as two-line pump via a bleed filter. There is an intake filter and an oil pressure regulator integrated in the pump. Pressure gauges for pressure

measurements and negative pressure measurements must be connected before the equipment is commissioned. **NB:** before starting the burner, check that the return pipe is open. An eventual obstruction could damage the pump sealing device.

### TECHNICAL DATA

#### General

|                     |  |
|---------------------|--|
| Mounting            | Flange mounting according to EN 225.   |
| Connection threads  | Cylindrical according to ISO 228/1   |
| Inlet and return    | G 1/2"   |
| Nozzle outlet       | G 1/4"   |
| Pressure gauge port | G 1/8"   |
| Vacuum gauge port   | G 1/2"   |
| Valve function      | Pressure regulating - no cut-off   |
| Filter              | Open area: 45 cm<br>Opening size : 550 µm  |
| Shaft               | Ø 11mm according to EN 225.  |
| By-pass plug        | Inserted in return port for 2 pipe system; to be removed with a 3/16" Allen key for 1 pipe system. |
| Weight              | 4 kg   |

#### Hydraulic data

|                           |  |
|---------------------------|--|
| Nozzle pressure range     | 14 - 30 bar  |
| Delivery pressure setting | 20 bar   |
| Operating viscosity       | 3 - 75 cSt   |
| Oil temperature           | 0 - 130°C max. nella pompa   |
| Inlet pressure            | installation to light oil : 0,45 bars max.<br>vacuum to prevent air separation from oil.<br>installation to heavy oil : 3,5 bar max. |
| Return pressure           | installation to light oil : 3,5 bar max.<br>installation to heavy oil : 3,5 bar max.   |
| Rated speed               | 3600 gpm max.  |
| Torque (to 40 gpm)        | 0,3N.m   |

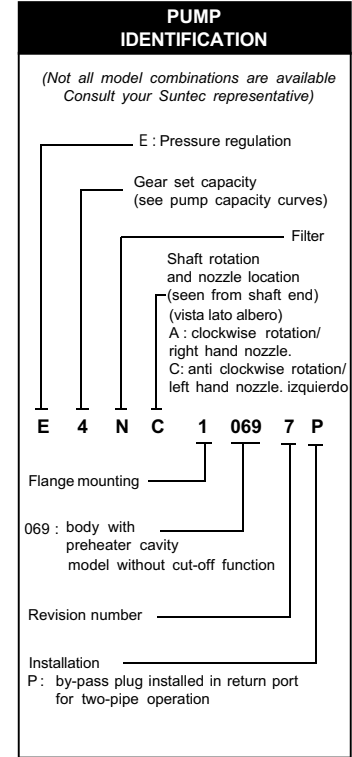
#### Choice of heater

|          |                         |
|----------|-------------------------|
| Crtridge | Ø 12 mm                 |
| Fitting  | in accordo con EN 50262 |
| Rating   | 50-80 W                 |

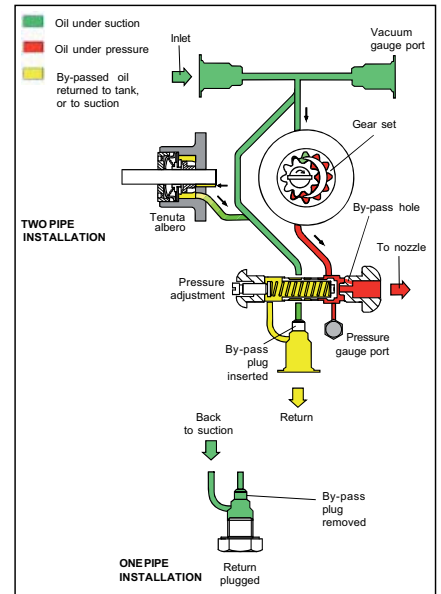
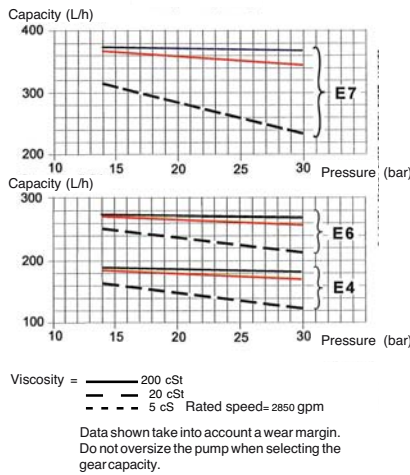
#### Electrical supply

- BV... Fuel valve
- FS Flame signal
- M Burner motor
- OW Release contact of oil preheater
- W Control thermostat or pressurestat
- Z Ignition transformer

- 1 No voltage
- 2 Power supply on, no heat request
- 3 Heat request: pre-heater ON
- 4 Preventilation: motor ON, ignition ON
- 4' Parasitic flame monitoring
- 5 Burner start: solenoid valve OFF, flame production, safety time

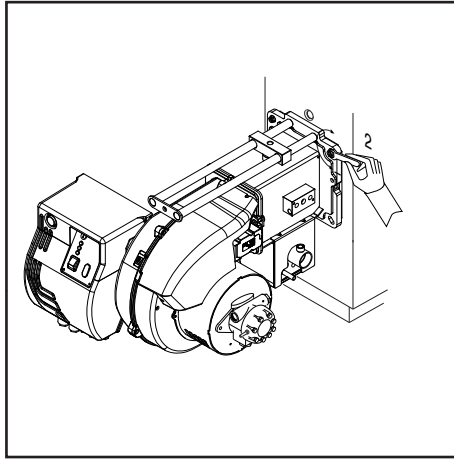
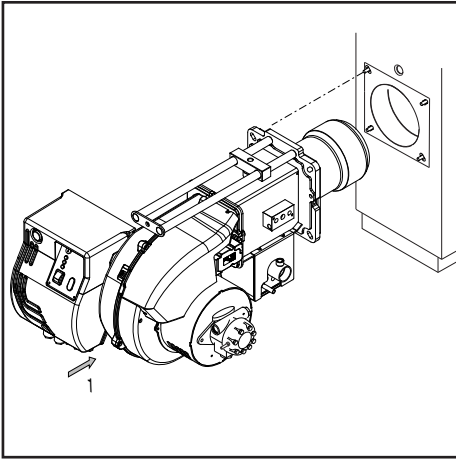


### Pump capacity



- 6 Flame present, post-ignition period
- 7 Burner operation
- 8 End of heat request, solenoid valve closes, burner stop
- 9 Standby

## Installation - Burner assembly



### Burner assembly

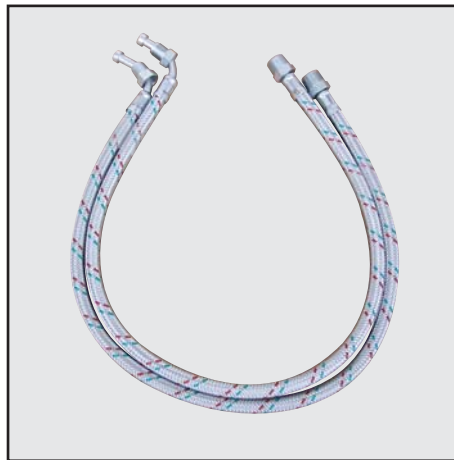
The burner is fixed by the flange and therefore to the boiler.

#### Installation:

- To fix the flange to the boiler with the screws.

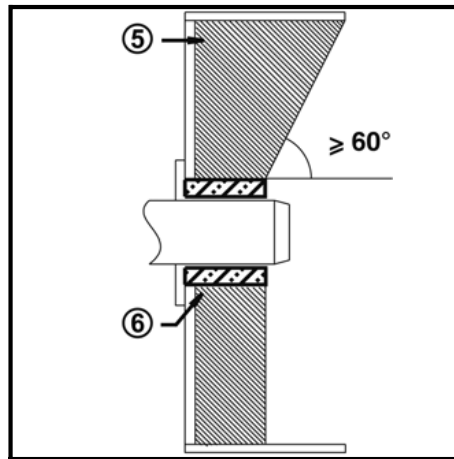
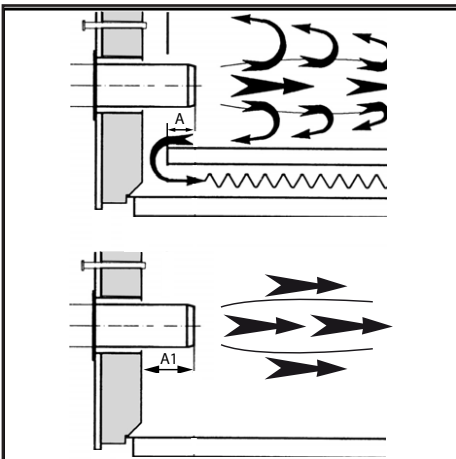
#### Removal:

- Loosen the screws.
- To slowly slide the the burner from the boiler.



### Oil connection

The filter must be located in such a way that the correct hose routing cannot be impaired. The hoses must not kink.



### Burner blast tube insertion depth and brickwork

Unless otherwise specified by the boiler manufacturer, heat generators without a cooled front wall require brickwork or insulation 5 as shown in the illustration. The brickwork must not protrude beyond the leading edge of the blast tube, and should have a minimum conical angle of 60°. Gap 6 must be filled with an elastic, non-combustible insulation material. For boilers with reverse firing, the minimum burner tube insertion depth A as specified in the boiler manufacturer's instructions must be observed.

On boilers the blast tube insertion depth should be observed as per the boiler manufacturer's instructions.

Reverse flame boiler :

A = 50-100 mm.

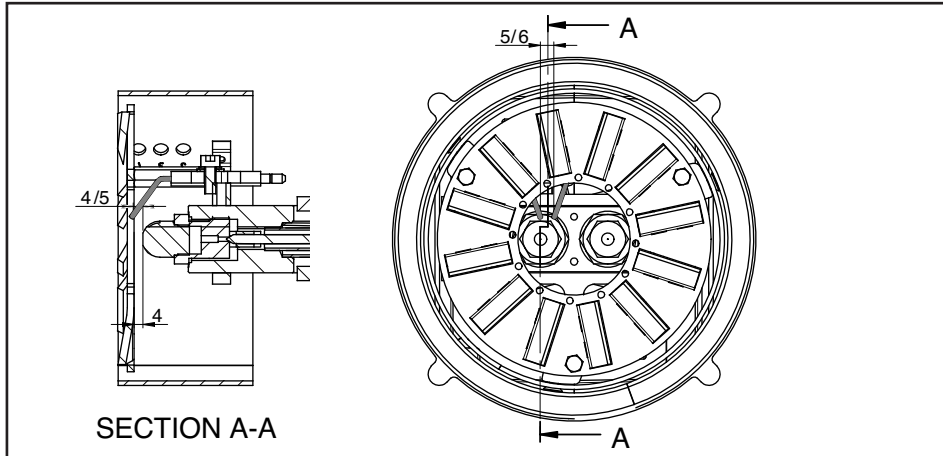
Three pass boilers :

A1 = 50-100 mm.

### Exhaust system

To avoid unfavourable noise emissions, right-angled connectors should not be used on the flue gas side of the boiler.

## Installation - Electrical connection - Checks before commissioning



### Position of electrodes

**Note:** Always check the position of electrodes after having replaced the nozzle (see illustration). A wrong position could cause ignition troubles.

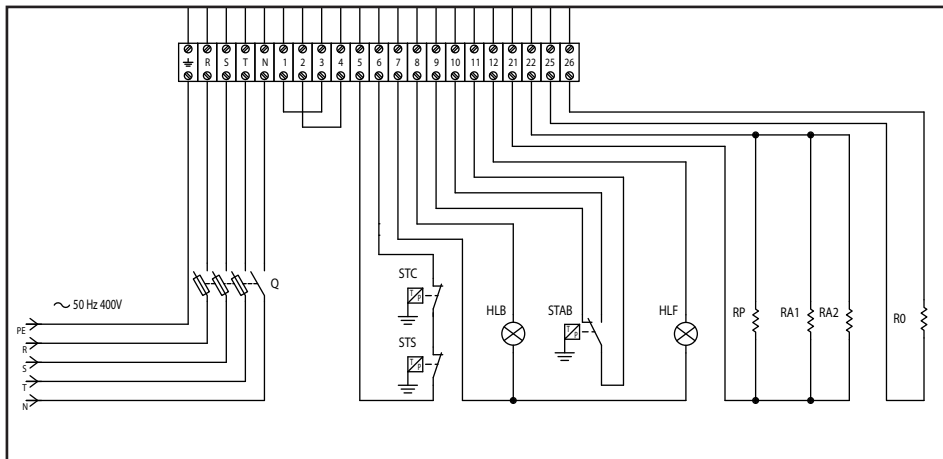
### Electrical connection

The electrical installation and connection work must only be carried out by an authorised electrical specialist. All applicable rules and regulations must be observed.

The electrical installation should include a type A circuit breaker.

**The applicable guidelines and directives must be observed, as well as the electrical circuit diagram supplied with the burner!**

- Check to ensure that the power supply voltage is as specified in the electric diagram and in data plate.
- Burner fuse: 5 A.



### Checks before commissioning

The following must be checked before initial commissioning:

- That the burner is assembled in accordance with the instructions given here.
- That the burner is pre-set in accordance with the values in the adjustment table.
- Setting the combustion components.
- The heat generator must be ready for operation, and the operating regulations for the heat generator must be observed.
- All electrical connections must be correct.
- The heat generator and heating system

must be filled with water and the circulating pumps must be in operation.

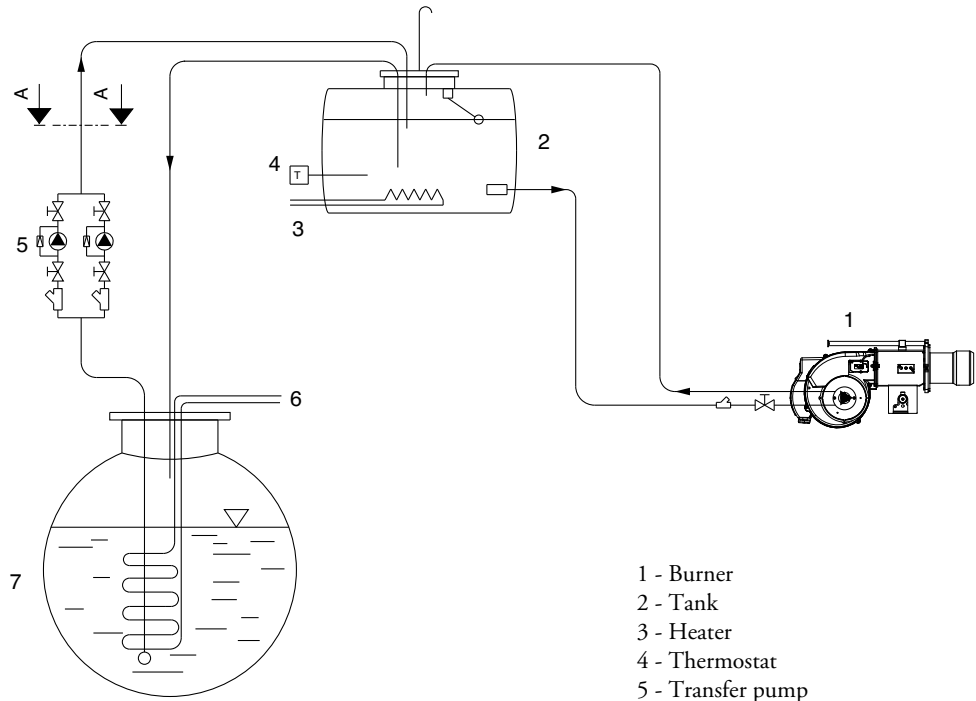
- The thermostats, pressure regulator, low water detectors and any other safety or limiting devices that might be fitted must be connected and operational.
- The exhaust gas duct must be unobstructed and the secondary air system, if available, must be operational.
- An adequate supply of fresh air must be guaranteed.
- The heat request must be available.
- Fuel tanks must be full.
- The fuel supply lines must be

assembled correctly, checked for leaks and bled.

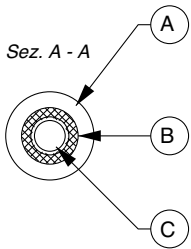
- A standard-compliant measuring point must be available, the exhaust gas duct up to the measuring point must be free of leaks to prevent anomalies in the measurement results.

# Installation - Heavy oil feeding and suction line

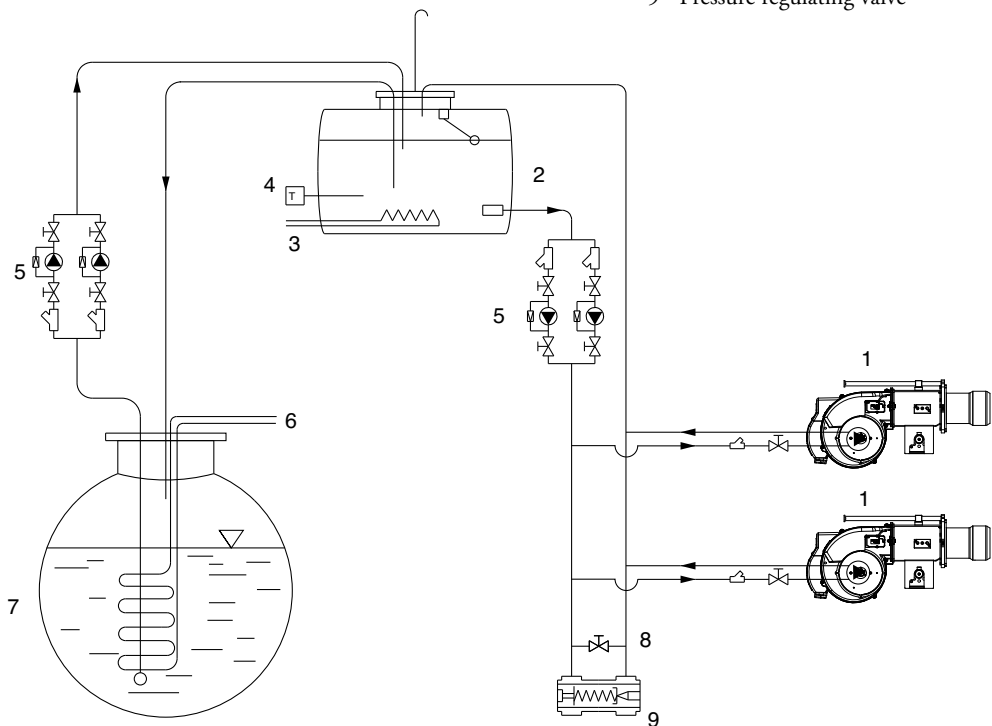
## HEAVY OIL FEED SYSTEM UP TO 15°E AT 50°C



- 1 - Burner
- 2 - Tank
- 3 - Heater
- 4 - Thermostat
- 5 - Transfer pump
- 6 - Header
- 7 - Tank
- 8 - By-pass
- 9 - Pressure regulating valve



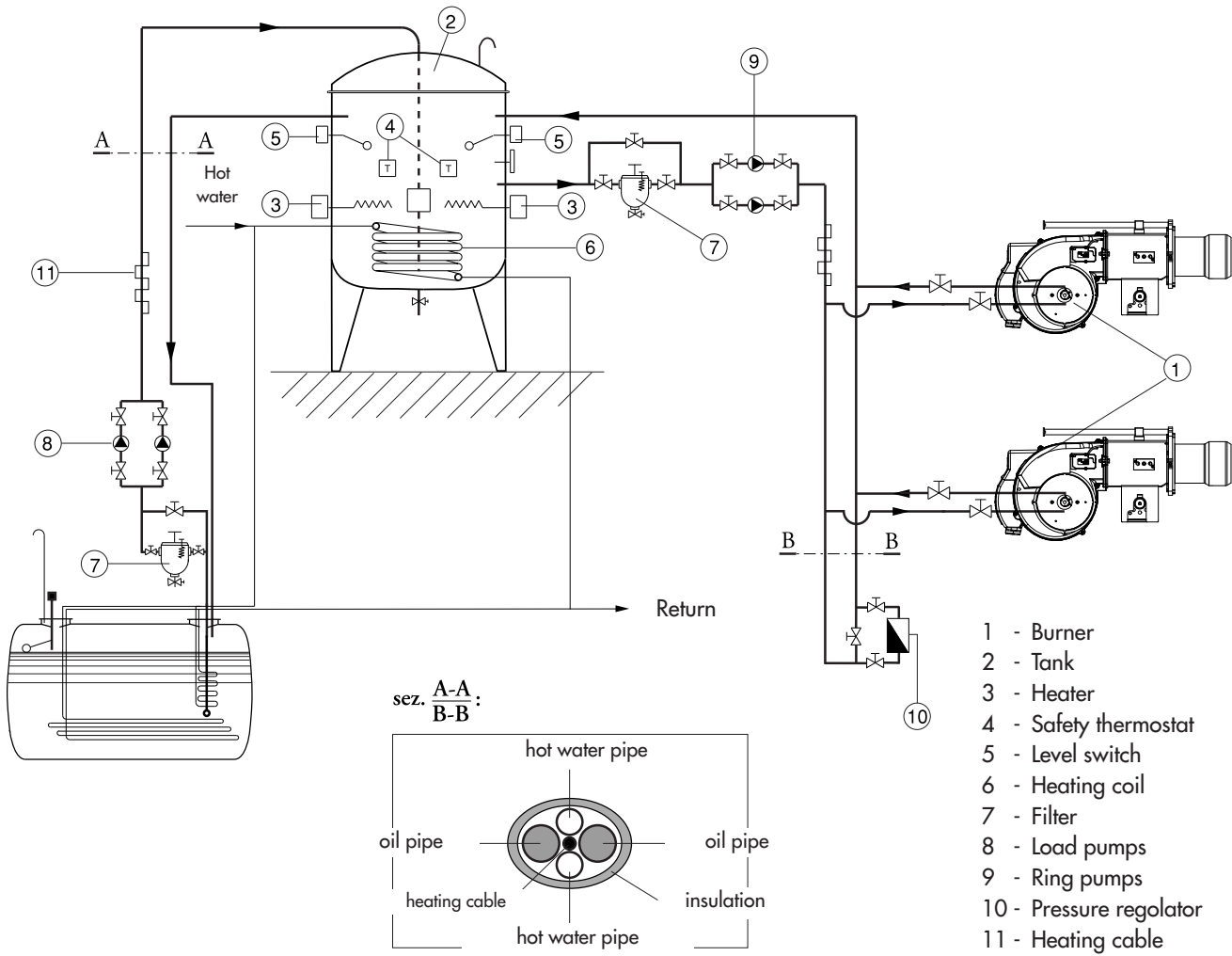
- A - Isolation gasket
- B - Heater
- C - Pipe heavy oil



**IMPORTANT:** All fuel pipings are heated (see section A-A of the picture)

## Installation - Heavy oil feeding and suction line

HEAVY OIL FEED SYSTEM UP TO 50°E AT 50°C



**IMPORTANT: All feed piping are heated (see sec. A-A)**

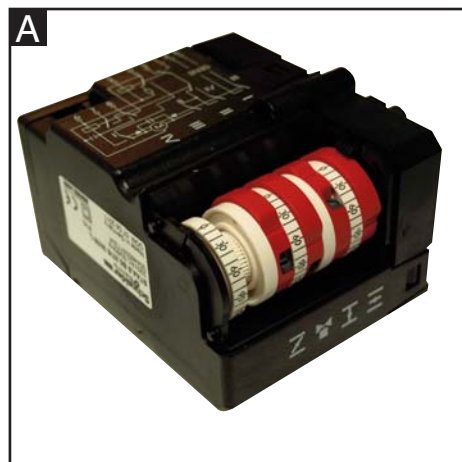
## Start up - Setting data table - Air regulation

| Maxflam 30 AB    |            |                                     |            |                 |           |               |             |                   |                     |                    |            |  |
|------------------|------------|-------------------------------------|------------|-----------------|-----------|---------------|-------------|-------------------|---------------------|--------------------|------------|--|
| burner output kW |            | pressure in combustion chamber mbar |            | oil output kg/h |           | nozzle 60° HO |             | pump pressure bar | firing head setting | air damper setting |            |  |
| 1° stage         | 2° stage   | 1° stage                            | 2° stage   | 1° stage        | 2° stage  | 1° stage      | 2° stage    |                   |                     | 1° stage           | stage      |  |
| 205              | 274        | 1,6                                 | 3,3        | 18              | 24        | 3,00          | 1,00        | 23                | 1                   | 18°                | 30°        |  |
| <b>239</b>       | <b>331</b> | <b>1,3</b>                          | <b>3,7</b> | <b>21</b>       | <b>29</b> | <b>3,50</b>   | <b>1,50</b> | <b>23</b>         | <b>2</b>            | <b>20°</b>         | <b>40°</b> |  |
| 274              | 388        | 1                                   | 4          | 24              | 34        | 4,00          | 2,00        | 23                | 3                   | 20°                | 60°        |  |
| Maxflam 50 AB    |            |                                     |            |                 |           |               |             |                   |                     |                    |            |  |
| burner output kW |            | pressure in combustion chamber mbar |            | oil output kg/h |           | nozzle 60° HO |             | pump pressure bar | firing head setting | air damper setting |            |  |
| 1° stage         | 2° stage   | 1° stage                            | 2° stage   | 1° stage        | 2° stage  | 1° stage      | 2° stage    |                   |                     | 1° stage           | stage      |  |
| 205              | 296        | 1,5                                 | 3,5        | 18              | 26        | 3,00          | 1,50        | 23                | 1                   | 15°                | 40°        |  |
| <b>262</b>       | <b>388</b> | <b>1,3</b>                          | <b>4</b>   | <b>23</b>       | <b>34</b> | <b>4,00</b>   | <b>2,00</b> | <b>22</b>         | <b>2</b>            | <b>20°</b>         | <b>50°</b> |  |
| 308              | 479        | 1,4                                 | 4,7        | 27              | 42        | 4,50          | 2,50        | 23                | 3                   | 20°                | 50°        |  |

The settings above are **basic settings**. These adjustment values are normally suitable for commissioning the burner. These values have been determined in our test labs and are useful for the first

switch-on as final setting must be done using a combustion analyzer. Favourable combustion values can be achieved using the following nozzles:

DANFOSS H+S 80°+60°  
DELAN W 60°  
STEINEN S 60°



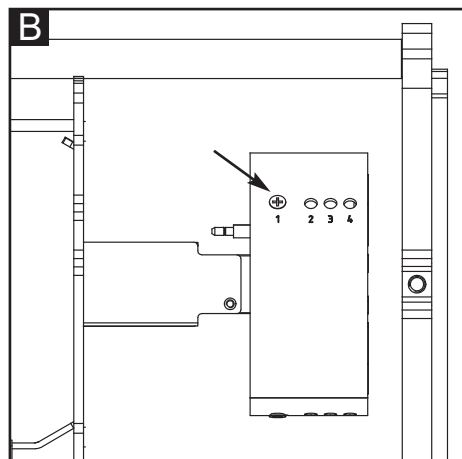
### Air damper setting (A).

Remove the cover to gain access to the adjustment cams. The cams are adjusted using the screwdriver.

Description:

- I - Limit switch for the "HIGH FLAME" position of the air damper (MAX POWER).
- II - Adjusting cam for the air damper position at shut down (0°).
- III - Auxiliary switch for the release of the second stage valve (HIGH FLAME).
- IV - Limit switch for the "LOW FLAME" position of the air damper.

**Note** : Cam III (to enable the stage two electrovalve to open) is adjusted to an intermediate position between the low flame and high flame positions (to an angle approximately 5° greater than the low flame position).



### Firing head setting (B).

Slide the burner out off mounting flange. Modify air cylinder position (1,2,3,4) as shown in fig.B using a screwdriver. Slide again the burner in the mounting flange end fix to the boiler.

## Start up - Adjusting burner output - Oil pressure regulation

**! Risk of air blast!** Continuously check CO, CO<sub>2</sub> and soot emissions when adjusting the output of the burner. Optimise combustion values in the event of CO formation. CO must not exceed 50 ppm.

### Burner start

Before starting the burner, draw oil in until the filter is completely filled. Then start the burner by switching on the boiler regulator. Open the bleed screw on the oil filter to allow the oil line to bleed fully during the prevention phase. The negative pressure must not fall below 0.4 bar. Close the bleed screw when the filter is completely filled with oil and oil is flowing out without bubbles.

### Burner output adjustment

Use the pressure regulator to adjust the oil pressure in accordance with the burner output desired. Monitor the combustion values continuously as you do so (CO, CO<sub>2</sub>, soot test). Adjust the airflow gradually if necessary.

### Optimising combustion values

If the combustion values are not satisfactory modify the position of the combustion head. By doing this the burner ignition conditions and the combustion values change. Compensate for the change in airflow if necessary by adjusting the air flap position.

**Note: observe the minimum required flue gas temperature specified by the boiler manufacturer and the requirements demanded of flue gas ducts for avoiding condensation.**

### Oil pressure regulation

The oil pressure, and therefore burner output, is adjusted using oil pressure regulator 5 in the pump. Turn to

- right: to increase pressure
  - left: to reduce pressure
- Connect a pressure gauge at point 3 (with R1/8" thread).

### Checking negative pressure

The vacuum meter for checking negative pressure must be connected to point 4, R1/8". Maximum permissible negative pressure is 0.4 bar. At higher negative pressures, the fuel oil gasifies, which causes scraping noises in the pump and ultimately leads to pump damage.

### Adjustment of fuel thermostats

The working resistor thermostat must be set to 100°-140°C, while the safety thermostat is preset. Said adjustments can be slightly modified following the type of fuel and particular uses.

- A - Working thermostat (100°-140° C).
- B - Stand-By thermostat (150° C).
- C - Firing head thermostat (120°-140° C).

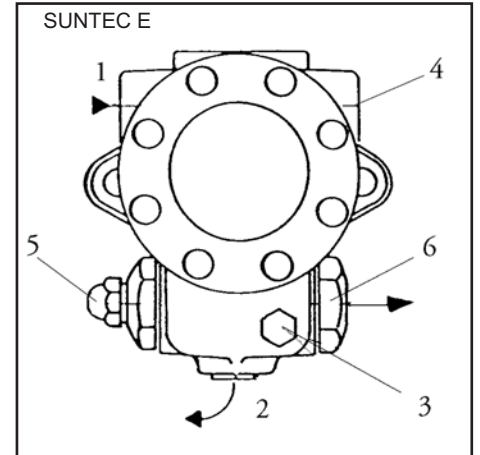
### Operating check

Flame monitoring must be checked for safety as part of initial commissioning and also after servicing or if the system has been out of operation for any significant period of time.

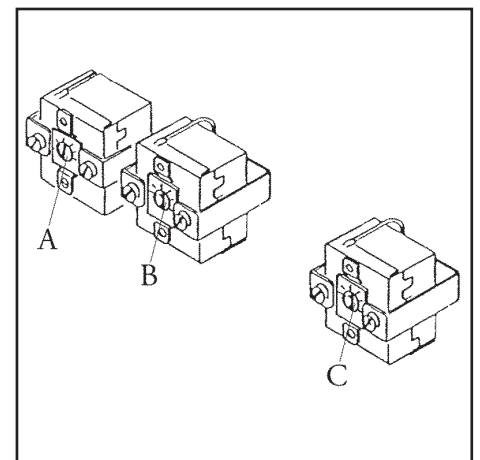
- Starting attempt with flame monitor unlit: the automatic combustion control unit must switch to malfunction at the end of the safety time
- Start with flame monitor lit: the automatic combustion control unit

must switch to malfunction after 5 seconds of prevention

- Normal start-up: flame monitor goes out when burner in operation; the automatic combustion control unit must switch to malfunction after the restart and end of the safety time



- 1 suction intake connection.
- 2 return connection.
- 3 oil pressure gauge connection.
- 4 negative pressure gauge connection.
- 5 oil pressure regulator.
- 6 pressure connection



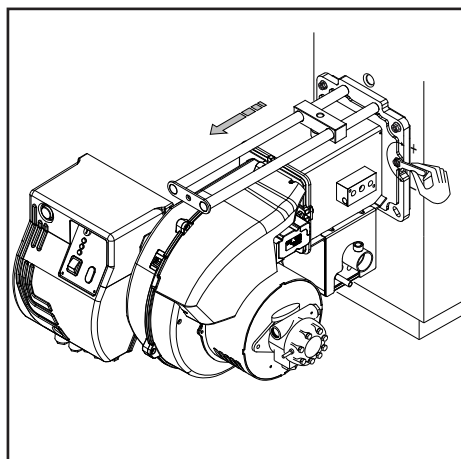
| <b>Recording commissioning data</b> |        |     |
|-------------------------------------|--------|-----|
| Test                                | n°1    | n°2 |
| Date                                |        |     |
| Model                               |        |     |
| Type oil                            |        |     |
| Oil calorific value                 |        |     |
| Burner output                       | min kW |     |
| Burner output                       | max kW |     |
| Flue gas temperature                | C°     |     |
| Air temperature                     | C°     |     |
| CO <sub>2</sub>                     | %      |     |
| CO                                  | ppm    |     |
| NOx                                 | ppm    |     |
| Performance                         | %      |     |
| Corrective action                   |        |     |
| Operator name                       |        |     |
| Company                             |        |     |

## Service - Maintenance

**Burner and boiler servicing must only be carried out by qualified personell. The system operator is advised to take out a service contract to guarantee regular servicing.**

### Attention

- Disconnect the electrical supply before carrying out any maintenance or cleaning work.
- The blast tube and firing head may be hot.

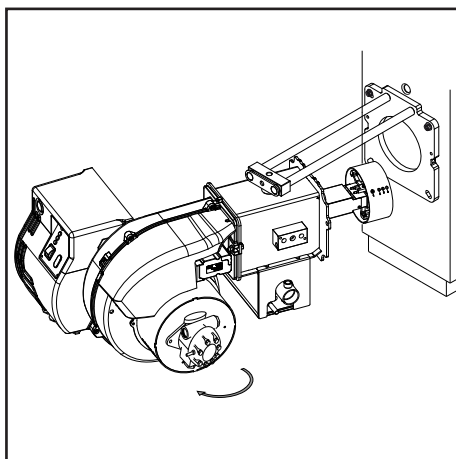


### Checking the exhaust gas temperature

- Check the flue gas temperature at regular intervals.
- Clean the boiler if the flue gas temperature is more than 30°C above the value measured at the time of commissioning.
- To simplify the check, use a flue gas temperature indicator.

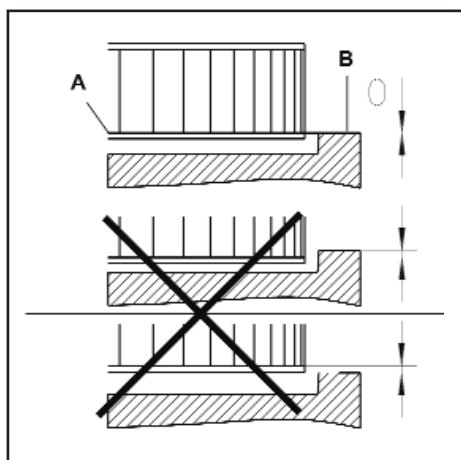
### Burner maintenance positions

- After removing the screws pull the burner out of the flange and turn to maintenance



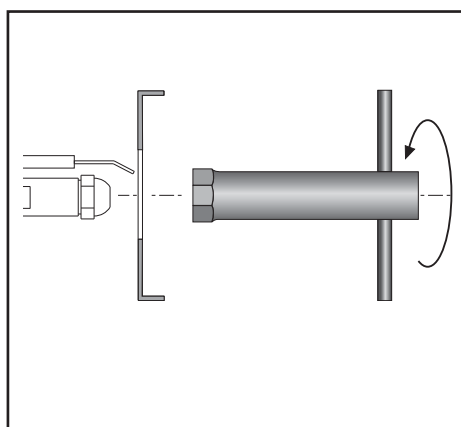
(as show in picture) to :

- nozzle change
- electrodes change and setting
- combustion disc cleaning/change
- air cylinder setting



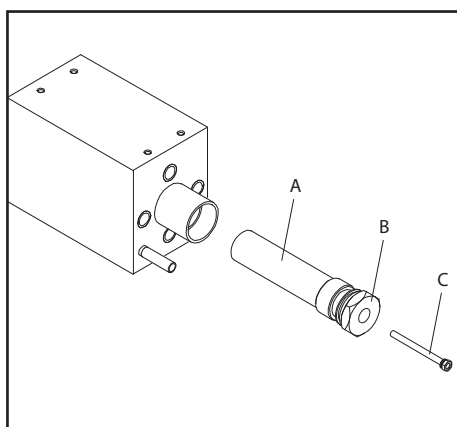
### Fan assembly

Observe the positioning diagram below when replacing the motor and blower wheel. The inside flange **A** of the blower wheel must be fitted at the same level as the equipment plate **B**. Insert a straight edge between the wing of the blower wheel and set **A** and **B** to the same height, tighten the set screw on the blower wheel.



### Nozzle and cleaning replacement

Use only the suitable box wrench provided for this operation to remove the nozzle, taking care to not damage the electrodes. Fit the new nozzle by the same care.



Note: Always check the position of electrodes after having replaced the nozzle (see illustration). A wrong position could cause ignition troubles.

### Maintenance on the burner

- Clean fan and housing and check for damage.
- Check and clean the combustion head.
- Replace oil nozzle.
- Check ignition electrodes, readjust or replace as necessary.
- Fit combustion head. Observe adjustment dimensions.
- Fit burner.
- Start burner, check flue gas data, correct burner settings if necessary.
- Check oil supply components (tubes, pumps, oil feed tube) and their connections for leaks or signs of wear, replace if necessary.
- Check electrical connections and connection cables for damage, replace if necessary.
- Check pump filter and clean if necessary.

### Cleaning of filter on the preheater

Removing of the filter:

- 1 Switch-off the burner and make cold to leave.
- 2 Take off oil thermometer bulb C.
- 3 Loosen screw B and drain part of the fuel from the heater, until the fuel level drop below the filter.
- 4 Unscrew and pull out the stem filter A from its seat.
- 5 Clean the filter and reassemble the parts as shown by the picture, then fit it in its own seat.

It is advisable to replace all filter and valve gaskets whenever they are removed.

**Note: that when the burner is working the heater has a pressure of abt. 23 bar, and that it becomes very dangerous to carry out said operations with the burner running.**

## Service - Troubleshooting

### Fault diagnosis and repair

In the event of a malfunction, first check that the prerequisites for correct operation are fulfilled:

1. is the system connected to the power supply?
2. is there oil in the tank?
3. are all shut-off valves open?
4. are all control and safety devices, such as the boiler thermostat, low-water detector, limit switch, etc. adjusted correctly?

If the malfunction persists, use the following table.

It is not permitted to repair any components relevant to safety. These

components must be replaced by parts with the same order number.

### Only use original spare parts.

### NB: after each operation:

- under normal operating conditions (doors closed, hood fitted, etc.), check combustion and check the individual lines for leaks.
- Record the results in the relevant documents.

| Error code table                    |                  |   |
|-------------------------------------|------------------|---|
| Red blink code of signal lamp (LED) | «AL» at term. 10 | Possible cause  |
| 2 blinks                            | on               | No establishment of flame at the end of «TSA»<br>- Faulty or soiled fuel valves - Faulty or soiled flame detector<br>- Poor adjustment of burner, no fuel - Faulty ignition equipment |
| 3 blinks                            | on               | Free  |
| 4 blinks                            | on               | Extraneous light on burner startup  |
| 5 blinks                            | on               | Free  |
| 6 blinks                            | on               | Free  |
| 7 blinks                            | on               | Too many losses of flame during operation (limitation of the number of repetitions)- Faulty or soiled fuel valves.<br>- Faulty or soiled flame detector - Poor adjustment of burner.  |
| 8 blinks                            | on               | Time supervision oil preheater<br>- Oil preheater failed 5 times during prepurging  |
| 9 blinks                            | on               | Free  |
| 10 blinks                           | off<br>on        | Wiring fault or internal fault, output contacts, other faults.<br>3 times temporary fault of the output contacts  |

## Contenuti generali - Indice - avvertenze generali

|                           |   |       |
|---------------------------|---|-------|
| <b>Panoramica</b>         | Dichiarazione di conformità                         | 3     |
|                           | Dati tecnici  | 4     |
|                           | Curve di lavoro                                     | 5     |
|                           | Dimensioni d'ingombro                               | 6     |
| <b>Contenuti generali</b> | Indice  | 20    |
|                           | Avvertenze generali                                 | 20    |
|                           | Descrizione del bruciatore                          | 21    |
| <b>Funzione</b>           | Funzioni generali di sicurezza                      | 22    |
|                           | Programmatore di comando e sicurezza LMO44          | 23    |
|                           | Pompa del bruciatore                                | 24    |
| <b>Installazione</b>      | Montaggio del bruciatore                            | 25    |
|                           | Connessione elettrica                               | 26    |
|                           | Controlli da eseguire prima della messa in funzione | 26    |
|                           | Linea di alimentazione del combustibile             | 27    |
| <b>Messa in funzione</b>  | Dati di configurazione - regolazione dell'aria      | 29    |
|                           | Regolazione del bruciatore                          | 30    |
|                           | Regolazione pressione del gasolio                   | 30    |
|                           | Registrazione dati di messa in funzione             | 30    |
| <b>Assistenza</b>         | Manutenzione  | 31    |
|                           | Possibili inconvenienti                             | 32    |
| <b>Panoramica</b>         | Schemi elettrici                                    | 72-74 |
|                           | Parti di ricambio                                   | 75-77 |

### Avvertenze importanti

I bruciatori Ecoflam sono stati progettati e costruiti nel rispetto delle normative e direttive correnti.



**Tutti i bruciatori rispondono alle normative sulla sicurezza e sul risparmio energetico nel limite del campo di lavoro dichiarato.**



**Il bruciatore non deve funzionare fuori del campo di lavoro.**

La qualità del prodotto è garantita dal sistema di certificazione in base alla norma ISO 9001:2008.

I bruciatori MAXFLAM sono progettati per la combustione di olio pesante, con basse emissioni inquinanti. I bruciatori sono conformi alla norma EN 267.



**Montaggio, messa in funzione e manutenzione devono essere eseguiti esclusivamente da personale tecnico autorizzato, nel rispetto delle direttive e delle prescrizioni in vigore.**

### Descrizione del bruciatore

Il bruciatore MAXFLAM è bistadio, a funzionamento completamente automatico in esecuzione monoblocco. La geometria della testa di combustione permette di ottenere bassi livelli di NOx e di incombusti, massimizzando quindi il rendimento del generatore. Le emissioni possono essere diverse da quelle riscontrate nel laboratorio di prova in quanto dipendono molto dal generatore sul quale il bruciatore è installato.

L'installatore deve rispettare le normative vigenti. Per esempio sono da evitare locali con atmosfere pericolose o non ventilate.

### Imballo e movimentazione

Movimentare il bruciatore ancora imballato con un carrello o un elevatore facendo attenzione a non farlo cadere tenendosi a non più di 20 cm da terra.

Dopo aver tolto l'imballo, controllare che il contenuto sia integro e corrisponda al prodotto ordinato. In caso di dubbi, contattare il produttore.



**L'installazione del bruciatore deve essere effettuata da personale abilitato.**

Se le dimensioni e il peso non consentono un sollevamento manuale, farsi aiutare da un altro operatore, od utilizzare un



sollevatore imbracando il bruciatore con delle fasce se non disponibili i golfari.



Usare gli accessori in dotazione (flangia, guarnizione, perni e dadi) per installare il bruciatore alla

caldaia facendo attenzione a non danneggiare la guarnizione isolante.

### Si esclude qualsivoglia responsabilità per eventuali danni derivanti dalle seguenti cause:

- utilizzo non conforme.
- montaggio difettoso e/o riparazione a cura dell'acquirente o terzi, ivi inclusa l'applicazione di elementi di origine estranea.

### Consegna e istruzioni per l'uso

L'installatore dell'impianto di combustione è tenuto a consegnare al gestore dell'impianto, al più tardi all'atto della consegna dello stesso, le istruzioni per l'uso e la manutenzione. Queste istruzioni devono essere appese nel locale di installazione del generatore termico in modo ben visibile. Devono essere indicati l'indirizzo ed il numero telefonico del punto di assistenza più vicino.

### Avvertenza per il gestore

L'impianto dev'essere controllato almeno una volta l'anno da un tecnico specializzato. Al fine di garantire un'esecuzione regolare, si suggerisce di stipulare un contratto per la manutenzione dell'impianto.

## Contenuti generali - Descrizione del bruciatore

### MAXFLAM 30 AB TC 230-400-50

#### NOME

**MAXFLAM** Olio pesante

#### MODELLO (Gas: kW; Olio pesante: kg/h)

**MAXFLAM 30** 36 kg/h - 410 kW

#### TIPO DI FUNZIONAMENTO

- 1 stadio  
**AB** 2 stadi

#### TIPO TESTA

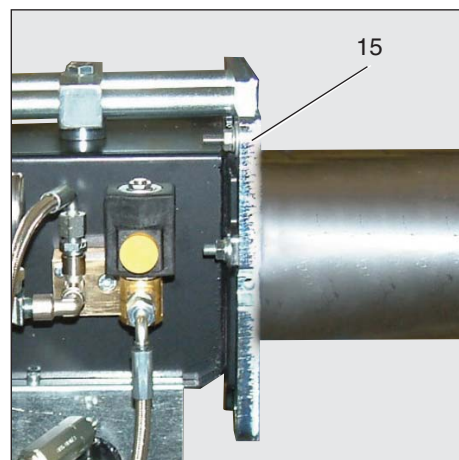
**TC** Testa corta  
**TL** Testa lunga

#### COMBUSTIBILE

Olio combustibile: max visc. 50° E a 50°C

#### TENSIONE DI ALIMENTAZIONE

**230-400-50** 230-400 Volt, 50 Hz



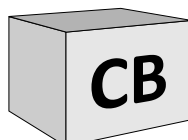
- A1 Siemens LMO44 programmatore di comando e sicurezza
- M1 Motore elettrico per pompa e ventola
- T1 Trasformatore d'accensione
- 5 Viti di fissaggio piastra
- 9 Pannello elettrico
- 15 Flangia bruciatore
- 16 Pulsante di sblocco
- 102 Pompa olio
- 103B Regolazione dell'aria
- 113 Cuffia aria

#### Imballaggio

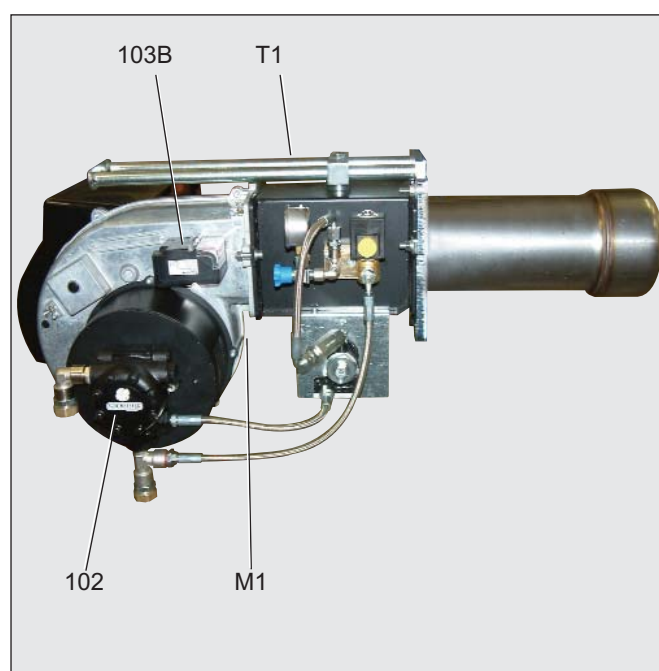
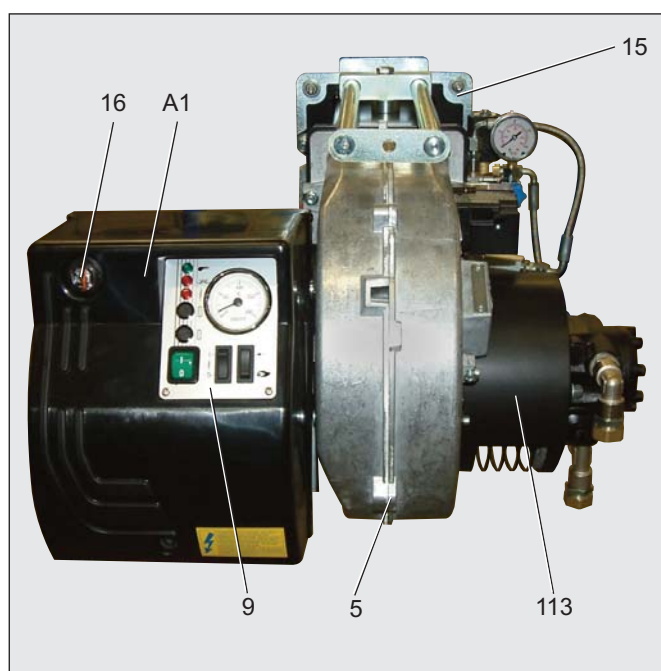
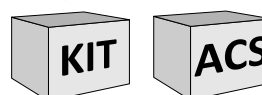
CB: BRUCIATORE COMPLETO

- 1 sacchetto :

- manuale tecnico in multilingue.
- filtro e tubi flessibili.
- ugello e chiave per ugello.
- viti, dadi e rosette.



**KIT & ACS ordinabili e consegnati separatamente**



## Funzione - Funzioni generali di sicurezza

### Funzione di esercizio

- Dare tensione all'impianto. Al raggiungimento della temperatura impostata sul termostato di lavoro, e con i contatti caldaia chiusi, l'apparecchiatura di controllo avvia il ventilatore, la pompa del combustibile ed il trasformatore di accensione. Nello stesso tempo, vengono attivate le resistenze che servono a mantenere ad un valore costante la temperatura del combustibile nel barilotto.

- Il motore si avvia, l'accensione si inserisce e si avvia il tempo di preventilazione di 25 sec.

- Durante la preventilazione, viene controllata la presenza della fiamma segnale sul focolare.

- Al termine della preventilazione, si aprono le elettrovalvole del olio e il bruciatore si avvia.

- Il funzionamento del bruciatore disinserisce l'accensione.

### Disinserimento normale

- Il termostato della caldaia interrompe

la richiesta di calore.

- L'elettrovalvola del olio si chiude e la fiamma si spegne.

- Il motore del bruciatore si spegne

- Il bruciatore è pronto al funzionamento.

### Funzione di sicurezza

Uno spegnimento a causa di possibili disturbi avviene:

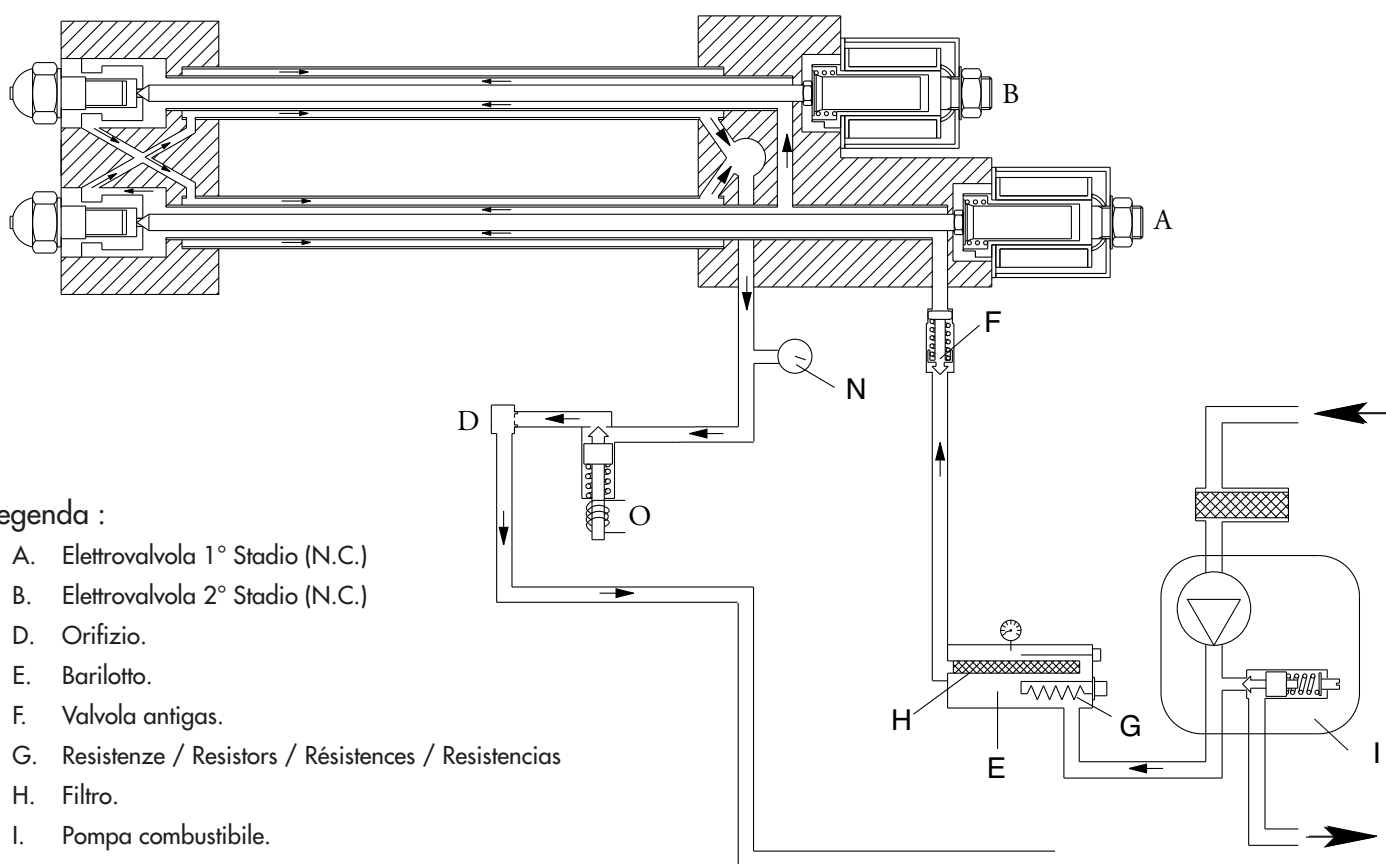
- se durante la preventilazione è presente una fiamma-segnale (monitoraggio luce esterna);

- se all'accensione (consenso al combustibile) dopo 5 sec. (tempo di sicurezza) non si è accesa nessuna fiamma;

- se, in caso di spegnimento della fiamma quando l'impianto è in funzione, dopo un infruttuoso tentativo di riavvio non si genera alcuna fiamma.

Uno spegnimento in presenza di eventuali anomalie viene segnalato mediante accensione della lampadina di segnalazione guasti e può essere nuovamente resettato non appena

eliminata la causa del malfunzionamento e dopo l'azionamento del pulsante di sblocco.

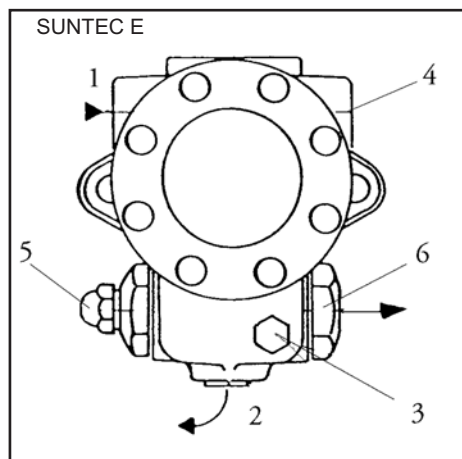


### Legenda :

- A. Elettrovalvola 1° Stadio (N.C.)
- B. Elettrovalvola 2° Stadio (N.C.)
- D. Orifizio.
- E. Barilotto.
- F. Valvola antigas.
- G. Resistenze / Resistors / Résistences / Resistencias
- H. Filtro.
- I. Pompa combustibile.
- N. Manometro.
- O. Elettrovalvola (N.O.).
- N.C. = Norm. chiusa
- N.O. = Norm. aperta



## Funzione - Pompa del bruciatore

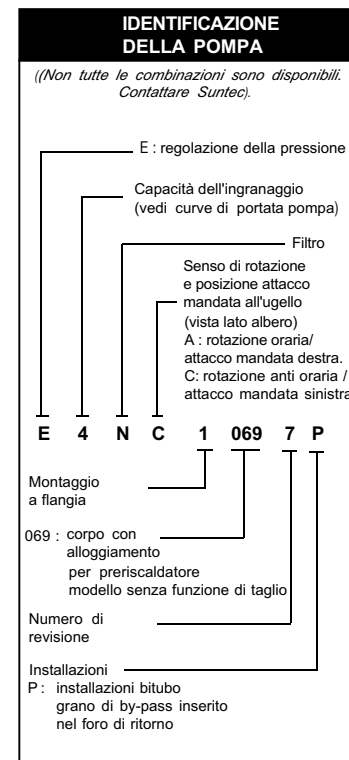


- 1 allacciamento aspirazione.
- 2 allacciamento di ritorno.
- 3 allacciamento manometro olio.
- 4 allacciamento manometro depressione.
- 5 regolazione della pressione olio.
- 6 allacciamento pressione.

La pompa utilizzata nei bruciatori di olio è una pompa ad ingranaggi autoadescante, che deve essere collegata con sistema bitubo; nella tubazione d'aspirazione inserire il filtro. Nella pompa sono incorporati un filtro d'aspirazione ed un regolatore di pressione del olio.

Prima della messa in funzione dell'apparecchio collegare i manometri per le misurazioni della pressione e della depressione.

NB: prima di avviare il bruciatore, controllare che il ritorno sia aperto. Un'eventuale ostruzione può causare danni alla guarnizione della pompa.



### DATI TECNICI

#### Generalità

|                             |  |
|-----------------------------|--|
| Montaggio                   | a flangia conforme agli standard EN 225.   |
| Attacchi                    | cilindrici in accordo con ISO228/1   |
| Entrata e ritorno           | G 1/2"   |
| Uscita all'ugello           | G 1/4"   |
| Attacco manometro pressione | G 1/8"   |
| Attacco vuotometro          | G 1/2"   |
| Funzione della valvola      | regolazione della pressione - no taglio  |
| Filtro                      | superficie utile: 45 cm<br>grado di filtraggio: 550 µm   |
| Albero                      | Ø 11mm in accordo con standard EN 225.   |
| Grano di By-pass            | Inserito nel foro di ritorno per installazioni a 2 tubi; da togliere con chiave tipo Allen 3/16" per installazione monotubo. |
| Peso                        | 4 kg   |

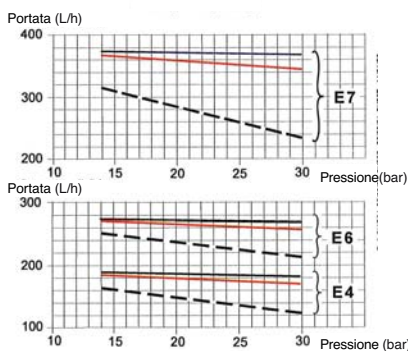
#### Dati idraulici

|                               |  |
|-------------------------------|--|
| Campo di pressione all'ugello | 14 - 30 bar  |
| Taratura di fabbrica          | 20 bar   |
| Campo viscosità               | 3 - 75 cSt   |
| Temperatura olio              | 0 - 130°C max. nella pompa   |
| Pressione entrata             | installazione a gasolio: 0,45 bar max. vuoto per evitare la separazione dell'aria dall'olio<br>installazione a nafta: 3,5 bar max. |
| Pressione ritorno             | installazione a gasolio: 3,5 bar max.<br>installazione a nafta: 3,5 bar max.   |
| Velocità                      | 3600 gpm max.  |
| Coppia (a 40 gpm)             | 0,3 N.m  |

#### Sceita del riscaldatore

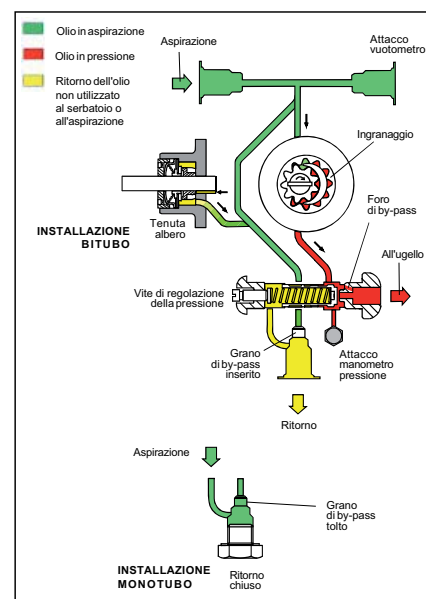
|                          |                         |
|--------------------------|-------------------------|
| Cartuccia                | Ø 12 mm                 |
| Raccordo di collegamento | in accordo con EN 50262 |
| Potenza                  | 50-80 W                 |

#### Portata della pompa

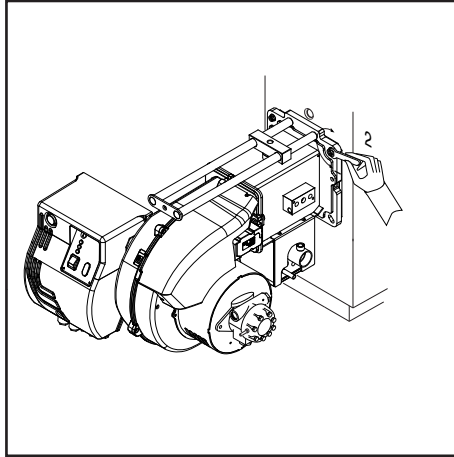
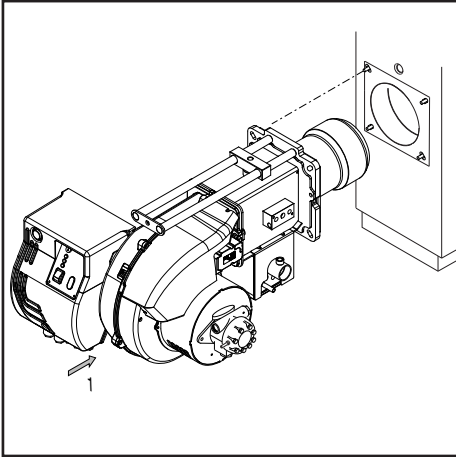


Viscosità = ——— 200 cSt  
 - - - - - 20 cSt  
 - - - - - 5 cSt Velocità = 2850 gpm

Le caratteristiche indicate tengono conto di un margine di usura. Non aumentare le misure della pompa quando si sceglie la capacità dell'ingranaggio.



## Installazione - Montaggio del bruciatore



### Montaggio del bruciatore

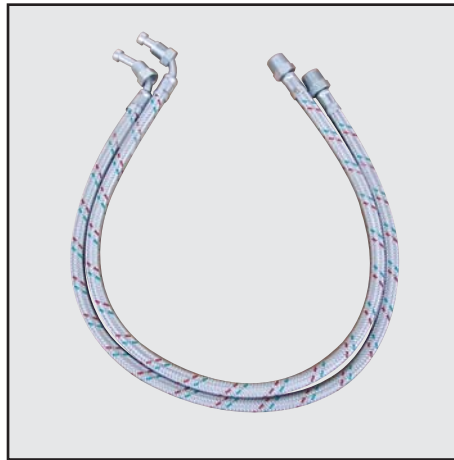
Il bruciatore viene fissato con la flangia di attacco alla caldaia, in tal modo la camera di combustione viene chiusa a tenuta stagna.

### Montaggio:

- Fissare la flangia di attacco alla caldaia con le viti.

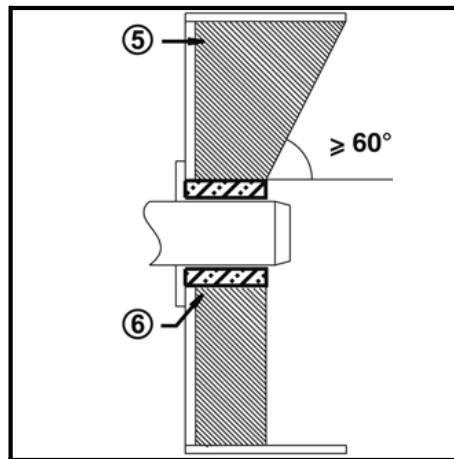
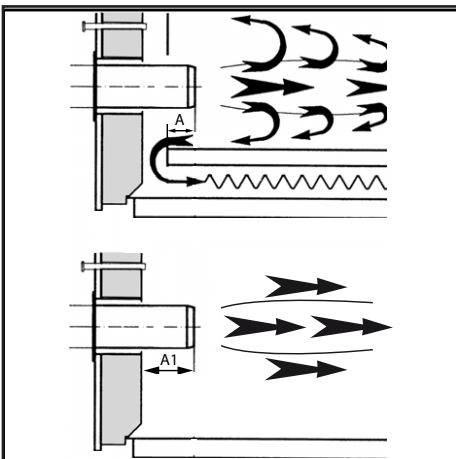
### Smontaggio:

- Allentare le viti.
- Estrarre lentamente il bruciatore dalla caldaia.



### Allacciamento dell'olio

Il filtro deve essere montato in modo tale che sia garantita una corretta guida del tubo flessibile. I tubi flessibili non devono essere piegati.



### Profondità di montaggio del boccaglio del bruciatore e rivestimento refrattario

Per i generatori senza parete anteriore raffreddata e in assenza di indicazioni contrarie da parte del costruttore della caldaia, è necessario eseguire un rivestimento in mattoni o l'isolamento secondo la figura (5) a lato.

Il rivestimento in mattoni non deve sporgere oltre il bordo anteriore del boccaglio e deve terminare con una conicità massima di 60°. Lo spazio d'aria (6) dev'essere riempito con un materiale isolante elastico, non infiammabile.

Per le caldaie deve essere rispettata la profondità di penetrazione del boccaglio, in conformità con le indicazioni fornite dal costruttore della caldaia stessa.

Caldaie ad inversione di fiamma :

A = 50-100 mm.

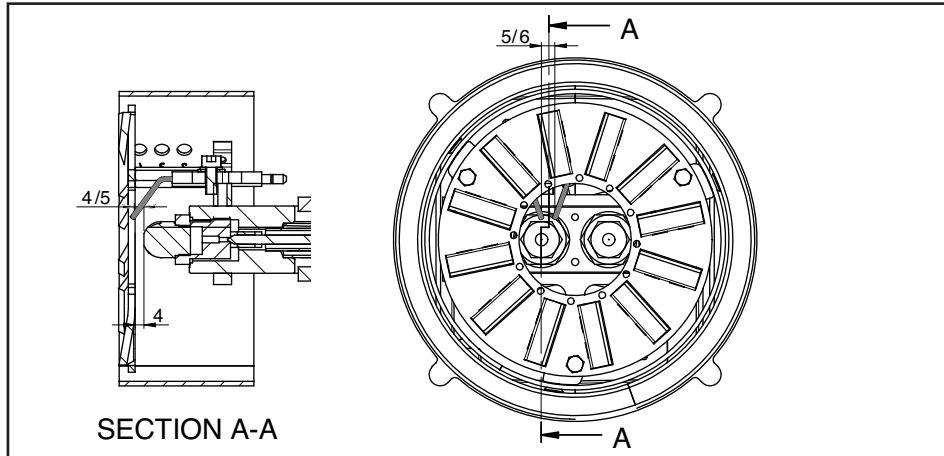
Caldaie a tre giri di fumo :

A1 = 50-100 mm.

### Condotta dei fumi

Al fine di evitare rumorosità indesiderate si raccomanda di evitare l'utilizzo di raccordi ad angolo retto al momento del collegamento della caldaia al camino.

## Installazione - Connessione elettrica - Controlli da eseguire prima della messa in funzione



### Posizione elettrodi

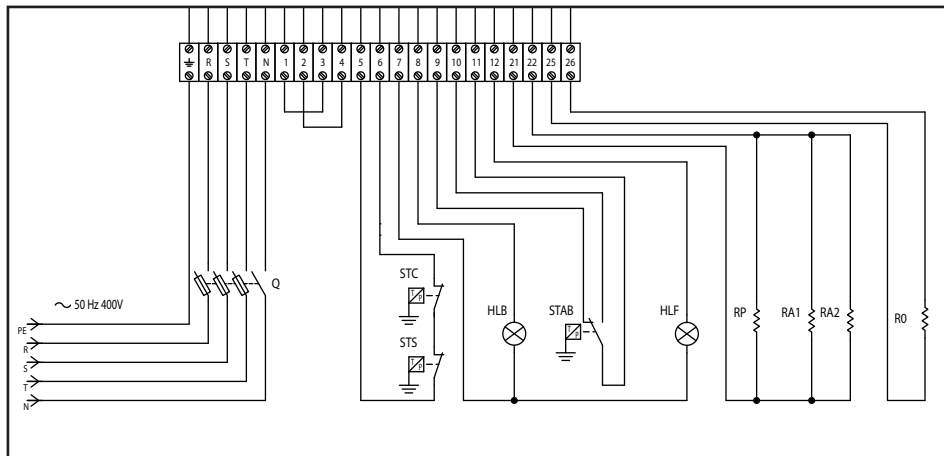
NB: verificare sempre la posizione degli elettrodi dopo il montaggio dell'ugello (vedi figura). Una posizione errata può comportare problemi di accensione.

### Allacciamento elettrico

L'impianto elettrico e i lavori di allacciamento devono essere eseguiti esclusivamente da personale specializzato autorizzato. A tal proposito devono essere rispettate le normative e le direttive vigenti. L'impianto d'alimentazione dovrà essere dotato di un interruttore differenziale di tipo A.

**Rispettare obbligatoriamente le prescrizioni e le direttive in vigore, oltre allo schema elettrico fornito con il bruciatore!**

- Verificare che la tensione di rete corrisponda alla tensione d'esercizio indicata di 230 V, 50/60 Hz corrente monofase con neutro e messa a terra. Fusibile sulla caldaia: 5 A



### Controlli da eseguire prima della messa in funzione

Prima della messa in funzione devono essere controllati i seguenti punti.

- Montaggio del bruciatore secondo le presenti istruzioni.
- Preimpostazione del bruciatore secondo le indicazioni riportate nella tabella di regolazione.
- Controllo degli organi di combustione
- Il generatore termico dev'essere pronto per l'uso, le prescrizioni di montaggio del generatore termico devono essere rispettate.
- Tutti gli allacciamenti elettrici devono

essere eseguiti correttamente.

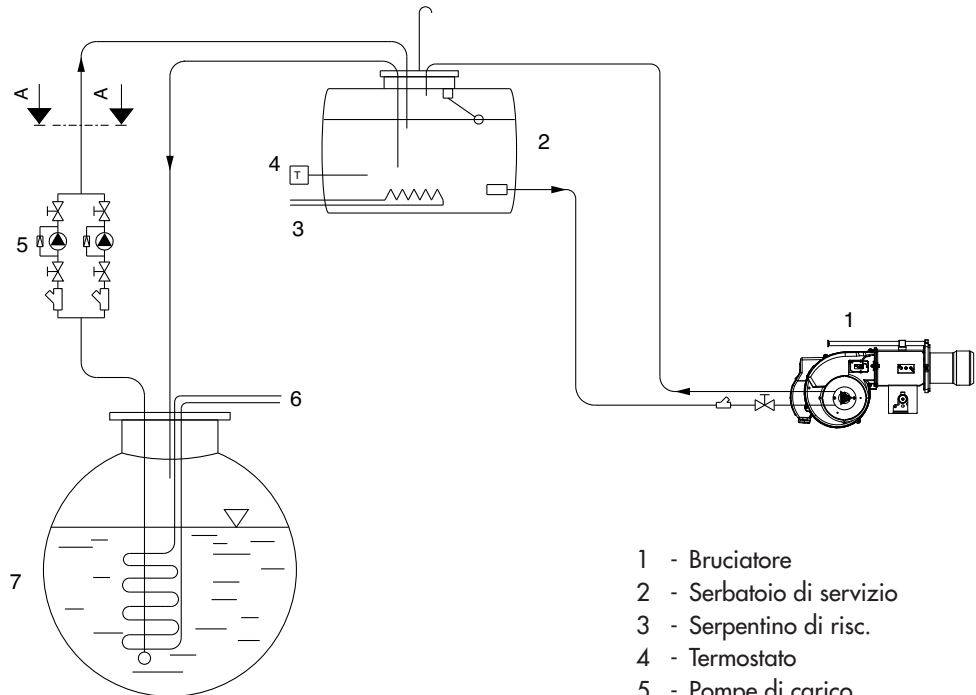
- Il generatore termico ed il sistema di riscaldamento sono pieni d'acqua, le pompe di circolazione sono in funzione.
- Termostati, regolatore di pressione, dispositivo di sicurezza in caso di carenza d'acqua ed altri dispositivi limitatori eventualmente installati sono correttamente collegati e funzionanti.
- Le vie di scarico dei fumi devono essere sgombrare, il dispositivo per l'aria secondaria, se presente, dev'essere in funzione.
- Dev'essere garantito un sufficiente apporto di aria pura.
- Dev'essere presente una richiesta di

riscaldamento.

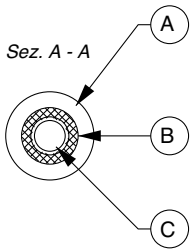
- I serbatoi del combustibile devono essere pieni.
- I condotti per il combustibile devono essere installati a regola d'arte, devono essere sottoposti ad un controllo per garantirne l'ermeticità ed essere disaerati.
- Il punto di misurazione previsto dalla norma per il controllo dei fumi di scarico dev'essere presente, il percorso dei fumi sino al punto di misurazione dev'essere a tenuta stagna in modo che i risultati delle misurazioni non possano essere falsati.

## Installazione - Linea di alimentazione del combustibile

### SCHEMA ALIMENTAZIONE COMBUSTIBILE FINO A 15°E A 50°C

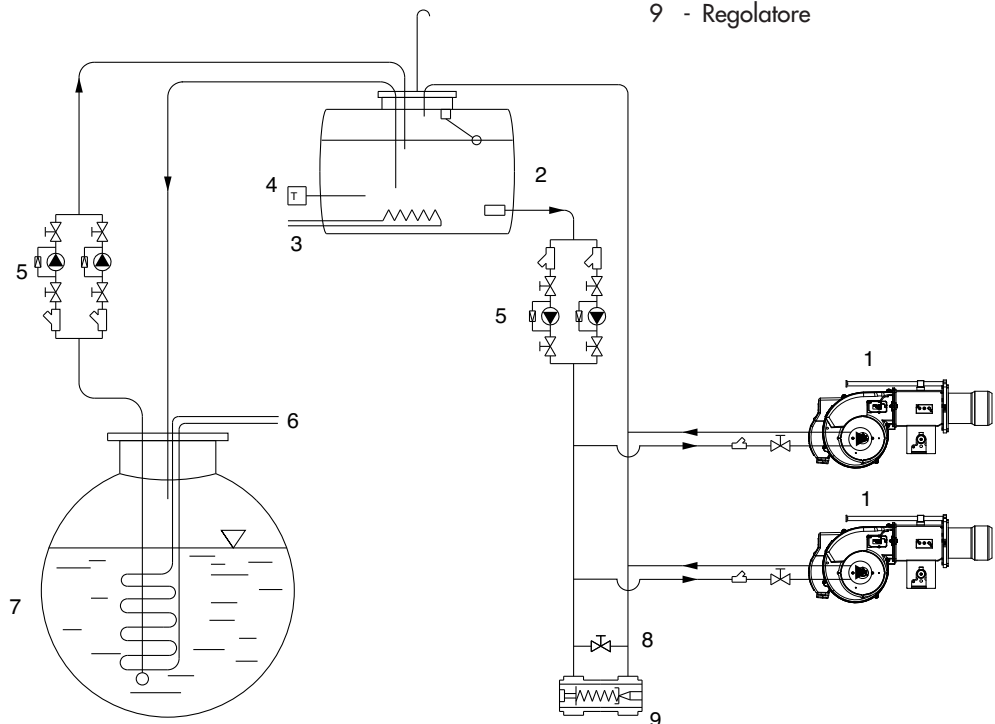


- 1 - Bruciatore
- 2 - Serbatoio di servizio
- 3 - Serpentino di risc.
- 4 - Termostato
- 5 - Pompe di carico
- 6 - Riscaldatore
- 7 - Serbatoio principale
- 8 - By-pass
- 9 - Regolatore



#### Legenda

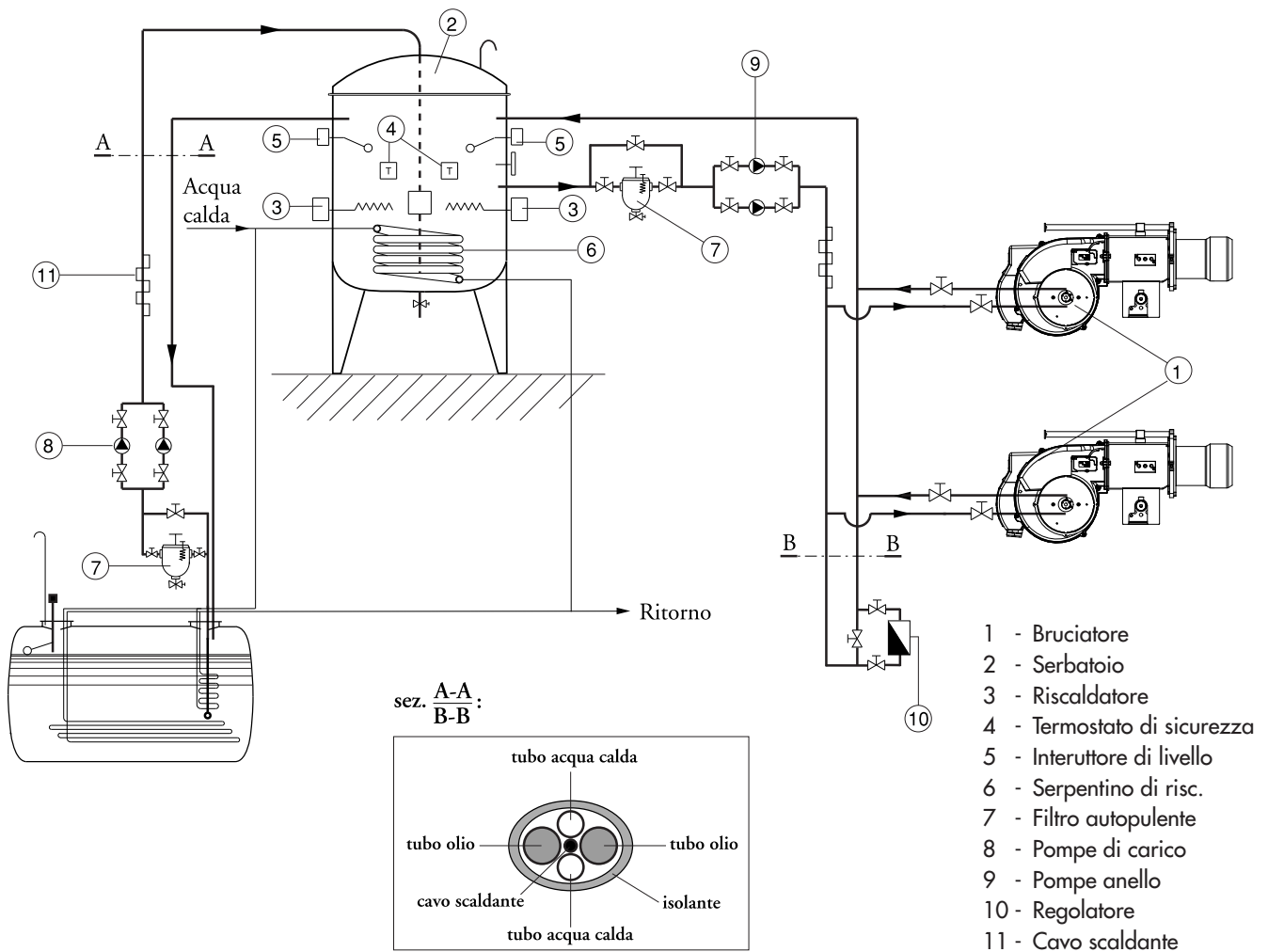
- A - Guaina isolante
- B - Resistenza elettrica
- C - Tubo alim. combust.



**IMPORTANTE:** Tutte le linee di alimentazione sono riscaldate (vedi sez. A-A)

## Installazione - Linea di alimentazione del combustibile

### SCHEMA ALIMENTAZIONE COMBUSTIBILE FINO A 50°E A 50°C



**IMPORTANTE:** Tutte le linee di alimentazione sono riscaldate (vedi sez. A-A)

## Messa in funzione - Dati di configurazione - Regolazione dell'aria

| Maxflam 30 AB         |            |                          |            |                   |           |               |             |                     |                   |   |            |
|-----------------------|------------|--------------------------|------------|-------------------|-----------|---------------|-------------|---------------------|-------------------|---|------------|
| potenza bruciatore kW |            | pressione in camera mbar |            | portata olio kg/h |           | ugello 60° HO |             | pressione pompa bar | regolazione testa | regolazione aria serranda su servocomando |            |
| 1° stadio             | 2° stadio  | 1° stadio                | 2° stadio  | 1° stadio         | 2° stadio | 1° stadio     | 2° stadio   |                     |                   | 1° stadio                                 | 2° stadio  |
| 205                   | 274        | 1,6                      | 3,3        | 18                | 24        | 3,00          | 1,00        | 23                  | 1                 | 18°                                       | 30°        |
| <b>239</b>            | <b>331</b> | <b>1,3</b>               | <b>3,7</b> | <b>21</b>         | <b>29</b> | <b>3,50</b>   | <b>1,50</b> | <b>23</b>           | <b>2</b>          | <b>20°</b>                                | <b>40°</b> |
| 274                   | 388        | 1                        | 4          | 24                | 34        | 4,00          | 2,00        | 23                  | 3                 | 20°                                       | 60°        |

| Maxflam 50 AB         |            |                          |           |                   |           |               |             |                     |                   |   |            |
|-----------------------|------------|--------------------------|-----------|-------------------|-----------|---------------|-------------|---------------------|-------------------|---|------------|
| potenza bruciatore kW |            | pressione in camera mbar |           | portata olio kg/h |           | ugello 60° HO |             | pressione pompa bar | regolazione testa | regolazione aria serranda su servocomando |            |
| 1° stadio             | 2° stadio  | 1° stadio                | 2° stadio | 1° stadio         | 2° stadio | 1° stadio     | 2° stadio   |                     |                   | 1° stadio                                 | 2° stadio  |
| 205                   | 296        | 1,5                      | 3,5       | 18                | 26        | 3,00          | 1,50        | 23                  | 1                 | 15°                                       | 40°        |
| <b>262</b>            | <b>388</b> | <b>1,3</b>               | <b>4</b>  | <b>23</b>         | <b>34</b> | <b>4,00</b>   | <b>2,00</b> | <b>22</b>           | <b>2</b>          | <b>20°</b>                                | <b>50°</b> |
| 308                   | 479        | 1,4                      | 4,7       | 27                | 42        | 4,50          | 2,50        | 23                  | 3                 | 20°                                       | 50°        |

Le regolazioni indicate sopra sono **regolazioni base**. Con queste impostazioni, normalmente, il bruciatore può essere messo in funzione. La regolazione deve poi essere verificata

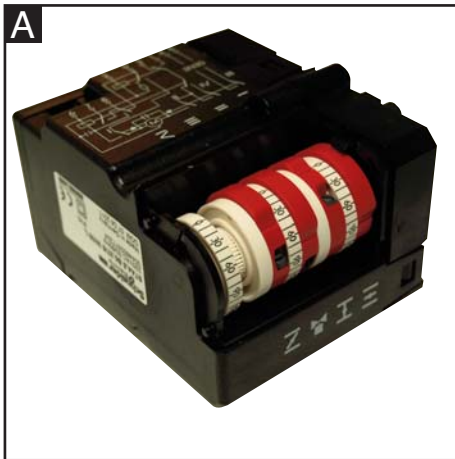
utilizzando un analizzatore di combustione. Potrebbero rivelarsi necessarie correzioni subordinate al singolo impianto. Valori di combustione favorevoli si

possono ottenere mediante l'uso degli ugelli seguenti:

DANFOSS H+S 80°+60°

DELAVAN W 60°

STEINEN S 60°



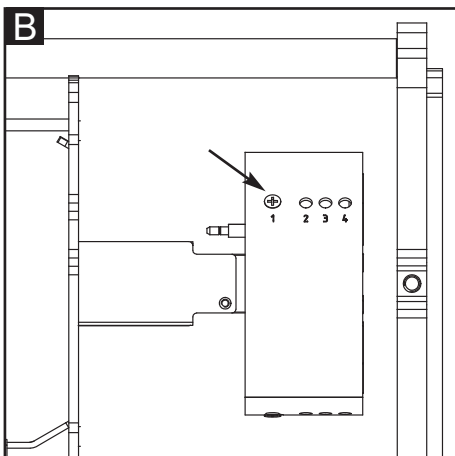
### Regolazione dell'aria (A).

Togliere il coperchio per accedere alle camme di regolazione. Lo spostamento delle camme va effettuato con l'ausilio di un giravite a taglio

Descrizione :

- I - Camma di regolazione posizione di apertura in 2° fiamma (potenza max.).
- II - Camma di regolazione della posizione serranda allo spegnimento (chiusura) 0°.
- III - Camma di consenso all'apertura dell'elettrovalvola del 2° stadio.
- IV - Camma di regolazione posizione di apertura in 1° fiamma (potenza min.).

**Nota** : la camma III (di consenso all'apertura dell'elettrovalvola del 2° stadio) va regolata in una posizione intermedia tra quella di 1°fiamma e quella di 2°fiamma(ad un angolo di circa 5° superiore a quello della posizione di 1° fiamma).



### Regolazione della testa di combustione (B).

Estrarre il bruciatore dalla flangia. Modificare la posizione della fascia (1,2,3,4) sulla testa agendo sulla vite con un cacciavite fino a raggiungere il valore desiderato. Fissare la fascia e rimontare il bruciatore nella flangia.

## Messa in funzione - Regolazione del bruciatore - Regolazione pressione dell'olio



**Pericolo di deflagrazione:** durante le operazioni di regolazione, verificare costantemente le emissioni di CO, CO<sub>2</sub> e l'indice di fumosità. In presenza di formazioni di CO modificare i valori della combustione. Il valore massimo di CO non deve superare i 50ppm.

### Avviamento del bruciatore

Prima dell'avviamento del bruciatore, caricare le tubazioni fino al riempimento del filtro olio. Avviare quindi il bruciatore agendo sul termostato della caldaia. Per eliminare completamente l'aria dalla tubazione dell'olio, svitare la vite di spurgo nel filtro dell'olio durante la fase di preventilazione. Nel corso di questa operazione non è consentito superare una depressione di 0,4 bar. Quando fuoriesce gasolio senza bolle ed il filtro è completamente pieno di olio, chiudere nuovamente la vite di spurgo.

### Regolazione della potenza del bruciatore

Regolare la pressione del olio in modo che il bruciatore eroghi la potenza desiderata, agendo sul regolatore di pressione. Controllare sempre i valori della combustione (CO, CO<sub>2</sub>, indice di fumosità). Se necessario, modicare la portata d'aria, procedendo eventualmente in modo progressivo.

### Ottimizzazione dei valori della combustione

In caso di valori di combustione non soddisfacenti modificare la posizione della testa di combustione. In questo modo vengono modificati il comportamento di avviamento e i valori della combustione. Se necessario, compensare la variazione della portata d'aria mediante la regolazione della serranda dell'aria.

**Attenzione: in caso di installazione su caldaia, rispettare la temperatura minima dei fumi di scarico secondo le indicazioni del costruttore della caldaia e secondo i requisiti del sistema di scarico fumi, al fine di evitare la formazione di condensa.**

### Regolazione pressione del gasolio

Per regolare la pressione del olio (e quindi la potenza del bruciatore) agire sul regolatore di pressione **5** nella pompa.

Ruotare verso:

- destra: aumento della pressione;
- sinistra: riduzione della pressione.

Per il controllo è necessario collegare un manometro all'allacciamento **3**, filettatura R1/8"

### Controllo depressione

Il vacuometro per il controllo della depressione dev'essere collegato al raccordo **4**, R1/8".

Depressione massima consentita 0,4 bar. Con depressione superiore, l'olio gasifica provocando un rumore stridulo e il danneggiamento della pompa.

### Regolazione termostati olio combustibile

Il termostato di lavoro delle resistenze va impostato sui 100-140 °C e il termostato di sicurezza è prearato. Queste regolazioni possono essere leggermente modificate in funzione del tipo di combustibile e di particolari applicazioni.

- A - Termostato di lavoro (100-140 °C).
- B - Termostato di sosta (150 °C).
- C - Termostato testa di combustione (120-140 °C).

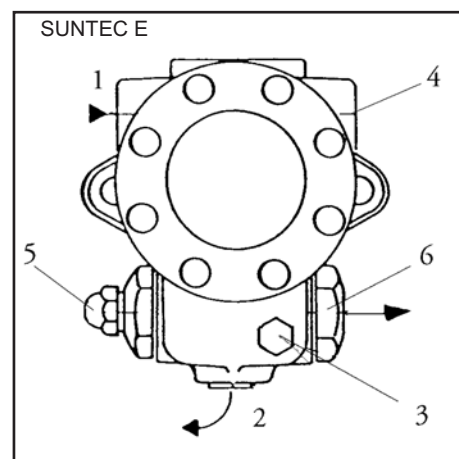
### Controllo funzionamento

Un controllo di sicurezza del monitoraggio fiamma dev'essere eseguito sia in occasione della prima messa in funzione, sia dopo aver eseguito revisioni o dopo un lungo periodo di inattività dell'impianto.

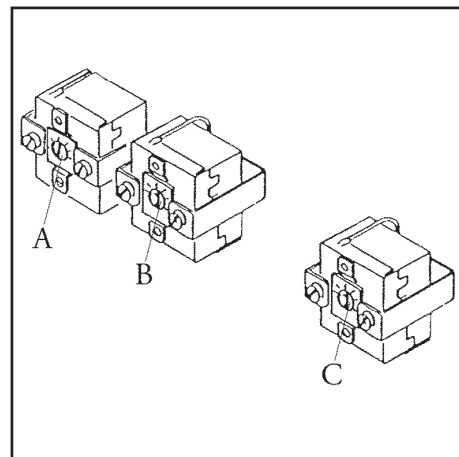
- Tentativo di avviamento con rivelatore di fiamma oscurato: al termine del tempo di sicurezza il programmatore di comando deve spostarsi su anomalia.

- Avviamento con rivelatore di fiamma illuminato: dopo 5 secondi di prearazione il programmatore di comando deve spostarsi su anomalia.

- Avviamento normale: quando il bruciatore è in funzione, oscurare il rivelatore di fiamma: dopo un nuovo avviamento ed al termine del tempo di sicurezza il programmatore di comando deve spostarsi su anomalia.



- 1 allacciamento aspirazione.
- 2 allacciamento di ritorno.
- 3 allacciamento manometro olio
- 4 allacciamento manometro depressione.
- 5 regolazione della pressione dell'olio
- 6 allacciamento pressione



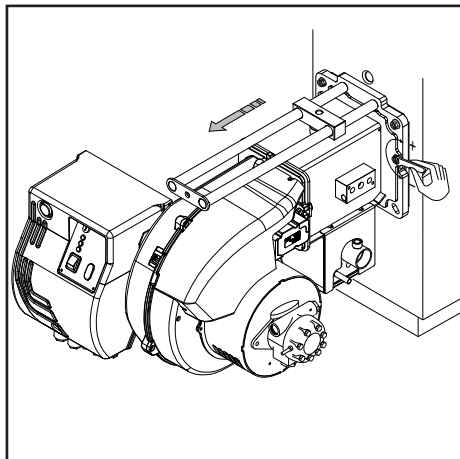
| <b>Registrazione dati di messa in funzione</b> |     |     |
|--|-----|-----|
| Test   | n°1 | n°2 |
| Data   |     |     |
| Modello  |     |     |
| Tipo olio                                      |     |     |
| Valore calorifico olio                         |     |     |
| Potenza bruciatore                             | min | kW  |
| Potenza bruciatore                             | max | kW  |
| Temperatura fumi                               |     | C°  |
| Temperatura aria                               |     | C°  |
| CO <sub>2</sub>                                |     | %   |
| CO   |     | ppm |
| NOx  |     | ppm |
| Rendimento                                     |     | %   |
| Azione correttiva                              |     |     |
| Nome operatore                                 |     |     |
| Azienda  |     |     |

## Assistenza - Manutenzione

Gli interventi di assistenza sulla caldaia e sul bruciatore devono essere eseguiti esclusivamente da personale tecnico addestrato nel campo del riscaldamento. Al fine di garantire una regolare esecuzione degli interventi di assistenza, si consiglia al gestore dell'impianto di stipulare un contratto di assistenza.

### Attenzione

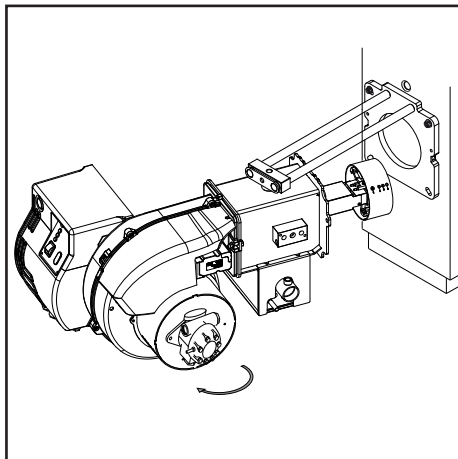
- Prima degli interventi di manutenzione e pulizia, disinserire la corrente.



- Il bocaglio ed i componenti della testa possono essere caldi.

### Controllo della temperatura dei fumi di scarico

- Controllare regolarmente la temperatura dei fumi di scarico.
- Pulire la caldaia se la temperatura dei fumi di scarico supera il valore della messa in funzione di oltre 30°C.
- Al fine di semplificare il controllo, installare un display per la visualizzazione della temperatura dei fumi di scarico.

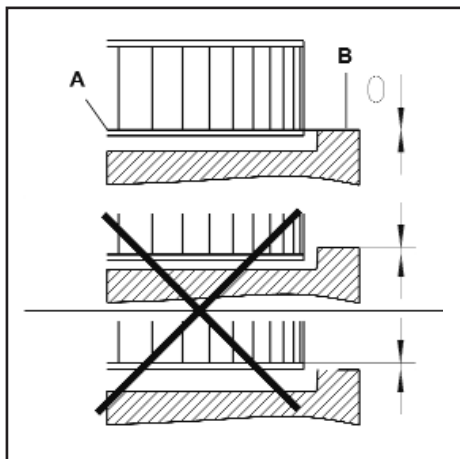


### Posizioni di manutenzione del bruciatore

- Dopo aver allentato le viti di fissaggio alla flangia del bruciatore, è possibile estrarlo e ruotarlo nella posizione di manutenzione per: sostituzione dell'ugello sostituzione/regolazione elettrodi pulizia/sostituzione del disco regolazione testa

### Interventi di manutenzione sul bruciatore

- Pulire ventola a carter e controllare che non presentino danni.
- Controllare e pulire i dispositivi di miscelazione.
- Sostituire l'ugello.
- Controllare gli elettrodi di accensione ed eventualmente regolarli o sostituirli.
- Montare il dispositivo di miscelazione. Rispettare i dati di taratura.
- Montare il bruciatore.
- Avviare il bruciatore, controllare i dati dei fumi di scarico ed eventualmente correggere le regolazioni del bruciatore.
- Verificare la tenuta e lo stato di usura di tutti i componenti di alimentazione del olio (flessibili, pompa, tubetto pompa) e dei relativi raccordi ed eventualmente sostituirli.
- Controllare la presenza di danni su connessioni elettriche e cavi di raccordo ed eventualmente sostituirli.
- Controllare ed eventualmente pulire il filtro della pompa.

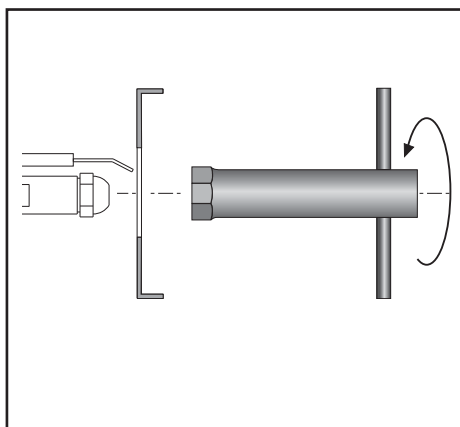


### Montaggio della ventola

In caso di sostituzione della ventola o del motore, fare riferimento allo schema di posizionamento.

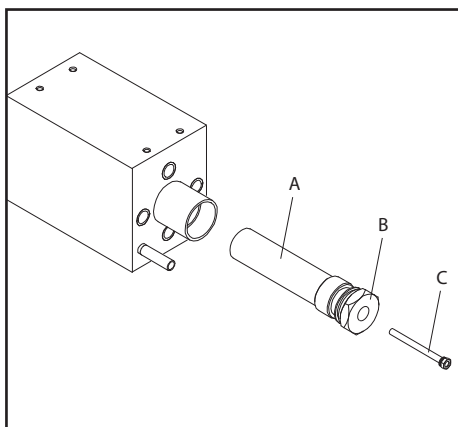
Allineare la flangia interna A della ventola con la piastra B.

Inserire un righello tra le pale della ventola e portare A e B alla stessa altezza, serrare la vite senza testa con intaglio sulla ventola.



### Pulizia e sostituzione dell'ugello

Utilizzare solo l'apposita chiave fornita in dotazione per rimuovere l'ugello, facendo attenzione a non danneggiare gli elettrodi. Montare il nuovo ugello con la medesima



### Pulizia del filtro preriscaldatore

Estrazione del filtro:

- 1 Spegnerne il bruciatore e lasciare raffreddare.
- 2 Togliere il bulbo del termometro olio C.
- 3 Allentare la vite B e scaricare una parte dell'olio contenuto nel barilotto affinché il livello del liquido scenda al di sotto di quello del filtro.
- 4 Svitare ed estrarre dalla propria sede il gambo del filtro A.
- 5 Dopo aver pulito il filtro, rimontarne le parti come indicato in figura e reinserirlo nella propria sede.

E' buona norma sostituire tutte le guarnizioni del filtro e della valvola ogni qualvolta questi vengono smontati.

**Note: Si ricorda che, quando il bruciatore è in funzione, nel barilotto si ha una pressione di circa 23 bar e che quindi diventa molto pericoloso eseguire le precedenti operazioni con il bruciatore funzionante.**

cura. **NB:** verificare sempre la posizione degli elettrodi dopo il montaggio dell'ugello (vedi figura). Una posizione errata può comportare problemi di accensione.

## Assistenza - Possibili inconvenienti

### Cause ed eliminazione delle anomalie

In presenza di anomalie, devono essere controllati i presupposti fondamentali per il corretto funzionamento dell'impianto:

1. C'è corrente?
2. C'è olio nel serbatoio?
3. I rubinetti di arresto sono tutti aperti?
4. Tutti gli apparecchi di regolazione e sicurezza come il termostato caldaia, il dispositivo di sicurezza in caso di carenza d'acqua, il finecorsa, ecc., sono impostati?

Nel caso in cui, dopo il controllo dei punti suddetti, l'anomalia persistesse, usare la seguente tabella.

I componenti di sicurezza non devono essere riparati, bensì devono essere

sostituiti con componenti riportanti lo stesso codice articolo.

### Utilizzare esclusivamente pezzi originali del costruttore.

### NB: Dopo ogni intervento controllare:

- i valori di combustione in condizioni di esercizio (porta del locale caldaia chiusa, copertura montata, ecc.).
- registrare i valori di combustione nel libretto di centrale.

**Tabella codici errori**

| Lampeggi (LED) | «AL» term. n°10 | Possible cause  |
|----------------|-----------------|---|
| 2 lampeggi     | on              | Assenza di fiamma al termine del tempo di sicurezza all'accensione «TSA»<br>- elettrovalvole difettose - rilevatore fiamma difettoso<br>- regolazione bruciatore errata - elettrodi difettosi         |
| 3 lampeggi     | on              | Non utilizzati  |
| 4 lampeggi     | on              | Luci estranee durante la fase di pre-ventilazione   |
| 5 lampeggi     | on              | Non utilizzati  |
| 6 lampeggi     | on              | Non utilizzati  |
| 7 lampeggi     | on              | Troppe mancanze di fiamma durante il funzionamento (superato il limite del n° di ripetizioni del ciclo) - elettrovalvole difettose.<br>- rilevatore fiamma difettoso - regolazione bruciatore errata. |
| 8 lampeggi     | on              | Controllo del tempo riscaldamento combustibile<br>- Più di 5 commutazioni del consenso preriscaldatore( durante la preventilazione)   |
| 9 lampeggi     | on              | Non utilizzati  |
| 10 lampeggi    | off             | Contatti in uscita difettosi o guasto del dispositivo interno<br>Più di 3 errori temporanei nei contatti in uscita.   |

## Contenus généraux - Sommaire - Notices générales

|                          |  |       |
|--------------------------|--|-------|
| <b>Vue d'ensemble</b>    | Déclaration de conformité                        | 3     |
|                          | Données techniques                               | 4     |
|                          | Domaine de fonctionnement                        | 5     |
|                          | Dimensions                                       | 6     |
| <b>Contenus généraux</b> | Sommaire   | 33    |
|                          | Notices générales                                | 33    |
|                          | Description du brûleur                           | 34    |
| <b>Fonction</b>          | Fonctions générales de sécurité                  | 35    |
|                          | Coffret de commande et de sécurité Siemens LMO44 | 36    |
|                          | Pompe du brûleur                                 | 37    |
| <b>Installation</b>      | Montage du brûleur                               | 38    |
|                          | Raccordement électrique                          | 39    |
|                          | Contrôles avant la mise en service               | 39    |
|                          | Ligne d'alimentation en combustible              | 40    |
| <b>Mise en service</b>   | Données de configuration - Réglage de l'air      | 42    |
|                          | Réglage du brûleur                               | 43    |
|                          | Réglage de la pression fuel                      | 43    |
|                          | Enregistrement des données de mise en service    | 43    |
| <b>Maintenance</b>       | Entretien  | 44    |
|                          | Problèmes possibles                              | 45    |
| <b>Vue d'ensemble</b>    | Schémas électrique                               | 72-74 |
|                          | Pièces de rechange                               | 75-77 |

### Mise en garde

Les brûleurs Ecoflam ont été conçus et construits dans le respect des réglementations et des directives actuelles



**Tous les brûleurs sont conformes aux réglementations relatives à la sécurité et aux économies d'énergie dans la limite du domaine d'utilisation déclaré.**



**Le brûleur ne doit pas être utilisé en dehors de la plage de travail.**

La qualité du produit est garantie par le système de certification conformément à la norme ISO 9001:2008.

Les brûleurs MAXFLAM sont conçus pour la combustion de fioul lourd.



**Les brûleurs répondent à la norme EN 267. Le montage, la mise en route et l'entretien ne peuvent être exécutés que par des spécialistes autorisés, dans le respect des directives et prescriptions en vigueur.**

### Description du brûleur

Le brûleur MAXFLAM est deux étapes, à fonctionnement complètement automatique en exécution monobloque. La géométrie de la tête de combustion permet d'obtenir de faibles niveaux de NOx et d'imbrûlés, pour un meilleur rendement du générateur.

Les émissions peuvent différer de celles recensées dans le laboratoire d'essai puisque cela dépend beaucoup du

générateur sur lequel le brûleur est installé.

L'installateur doit respecter les normes en vigueur. Par exemple, éviter les locaux dangereux et non ventilés.

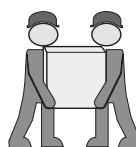
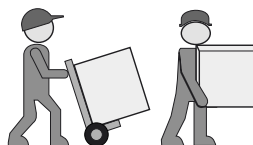
### Emballage et manutention

Manipuler le brûleur encore emballé avec un chariot ou un chariot élévateur, en faisant attention à ne pas le laisser tomber à plus de 20 cm du sol. Après avoir enlevé l'emballage, vérifier que le contenu est intact et correspond au produit commandé. En cas de doute, contacter le producteur.



**L'installation du brûleur doit être effectuée par un personnel agréé.**

Si la taille et le poids ne permettent pas un levage manuel, se faire aider par un autre opérateur, ou utiliser un dispositif de



levage, en élinguant le brûleur avec les courroies si les œillets ne sont pas disponibles.



Utiliser les accessoires fournis (bride, joint, boulons et écrous) pour installer le brûleur sur la chaudière, en prenant soin de ne pas endommager le joint isolant.

**Les dommages résultant des causes suivantes ne pourront pas être couverts par la garantie:**

- utilisation inappropriée.
- installation et/ou remise en état erronées par l'acheteur ou par un tiers, y compris la mise en place de pièces d'autres origines.

### Remise de l'installation et conseils d'utilisation

L'artisan qui réalise l'installation doit donner à l'utilisateur, au plus tard au moment de la réception de l'installation, les notices d'utilisation et d'entretien. Elles doivent être conservées bien visibles dans la chaufferie. L'adresse et le numéro d'appel de la station-service la plus proche doivent y être inscrits.

### Conseils à l'utilisateur

L'installation doit être vérifiée au moins une fois par an par un spécialiste. Pour en garantir l'exécution régulière, la conclusion d'un contrat d'entretien est fortement conseillée. contract to guarantee regular servicing.

## Contenus généraux - Description du brûleur

MAXFLAM 30 AB TC 230-400-50

### NOM

MAXFLAM Fioul lourd

### MODÈLE (Gaz: kW; fioul lourd: kg/h)

MAXFLAM 30 36 kg/h - 410 kW

### TYPE DE FONCTIONNEMENT

- 1 allure  
AB 2 allure

### TYPE TETE

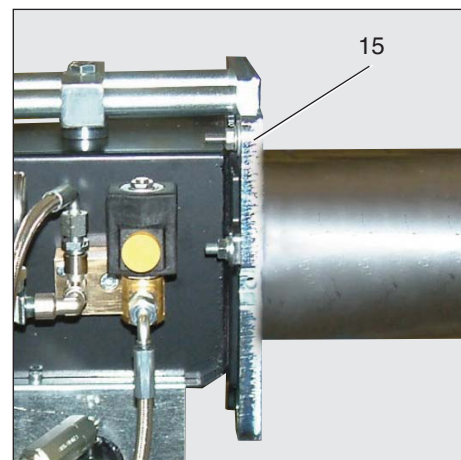
TC Tête courte  
TL Tête longue

### COMBUSTIBLE

Fioul lourd: max visc. 50° E a 50°C

### TENSION D'ALIMENTATION

230-400-50 230-400 Volt, 50 Hz



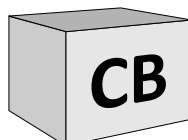
- A1 Siemens LMO44 Coffret de commande et de sécurité.
- M1 Moteur électrique pour pompe et ventilateur
- T1 Transformateur d'allumage
- 5 Vis de fixation palque
- 9 Tableau de commande
- 15 Bride du brûleur
- 16 Bouton de déblocage
- 102 Pompe
- 103B Régulation de l'air
- 113 Volet d'air

### Emballage

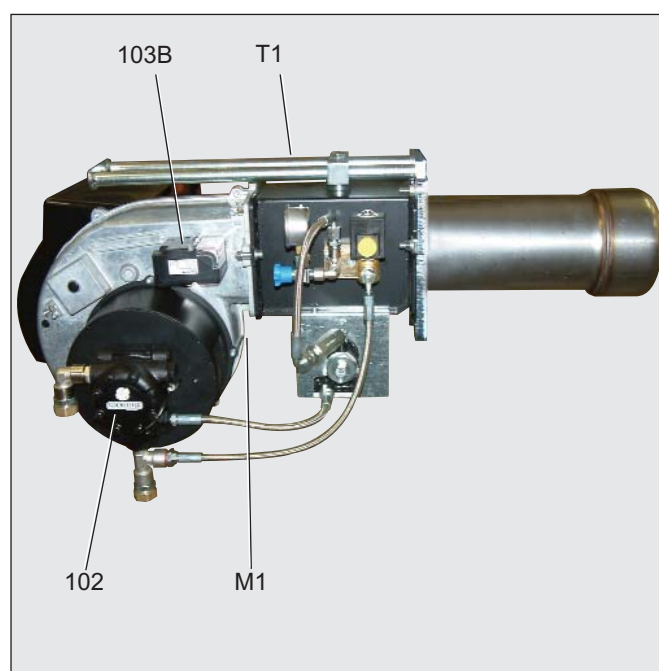
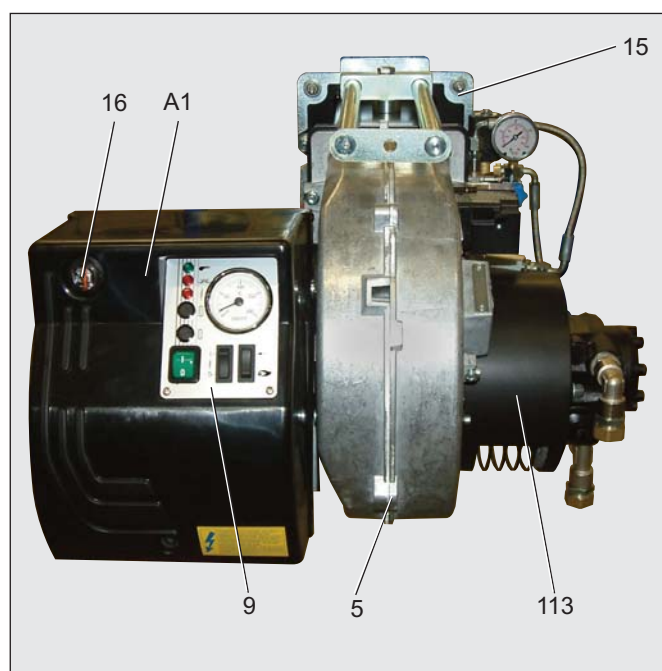
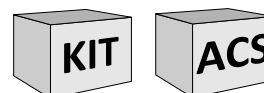
CB: BRÛLEUR JE COMPLÈTE

- 1 sachet :

- manuel technicien dans multilingue.
- filtre et flexibles.
- gicleur et clé pour gicleur.
- vis, écrous et rondelles.



### KIT & ACS commandés et livrés séparément



## Fonction - Fonctions générales de sécurité

### Fonctionnement

- Mettre l'installation sous tension. Une fois que la température réglée sur le thermostat de travail est atteinte et les contacts de la chaudière sont fermés, le dispositif de contrôle met en marche le ventilateur, la pompe à combustible et le transformateur d'allumage. En même temps, les résistances qui servent à maintenir constante la température du combustible dans le réchauffeur s'allument.
- Le moteur démarre, l'allumeur est activé et le temps de pré ventilation (25 s) débute.
- Pendant la préventilation, le foyer est surveillé pour détecter une éventuelle présence de flamme.
- A l'issue de la préventilation, l'électrovanne fioul lourd s'ouvrent et le brûleur démarre.
- Pendant le fonctionnement, le circuit d'allumage est coupe.

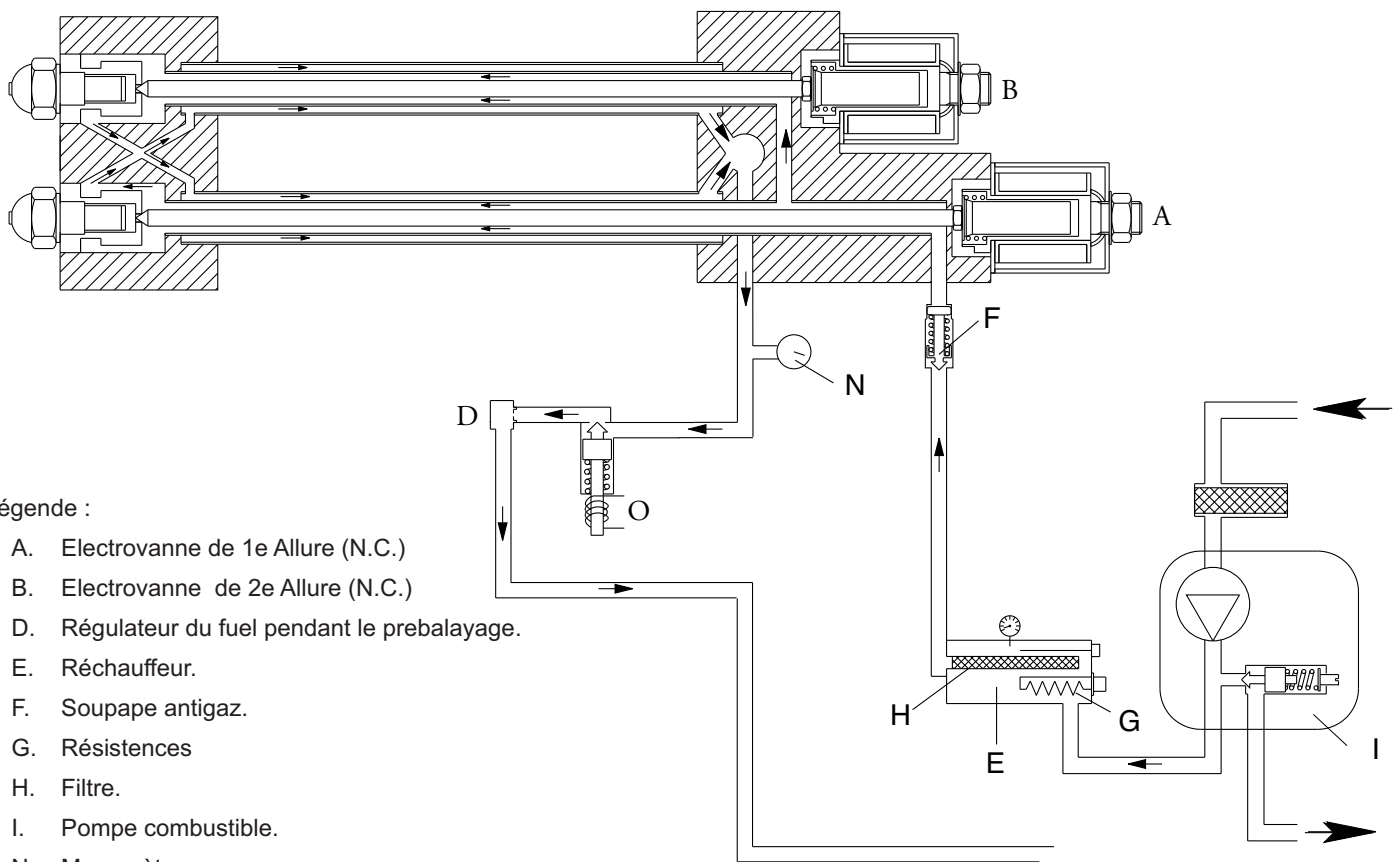
### Arrêt de régulation

- Le régulateur de la chaudière interrompt

- la demande de chauffe.
- L'électrovanne fioul lourd se ferment et la flamme s'éteint.
- Le moteur du brûleur s'arrête.
- Le brûleur est prêt à fonctionner.

### Fonction de sécurité

- Une mise en sécurité intervient :
- lorsque pendant la préventilation, un signal de flamme est détecté (monitorage lumière extérieure);
  - lorsque, au moment du démarrage (autorisation d'admission du combustible), aucune flamme ne s'est formée au bout de 5 secondes (temps de sécurité);
  - si, en cas d'extinction accidentelle pendant le fonctionnement et après une tentative de réallumage, aucune flamme n'apparaît.
- Une mise en sécurité est signalée par le témoin de défaut. Le déverrouillage du brûleur se fait, après élimination de la cause du défaut, par pression sur le bouton de déverrouillage.

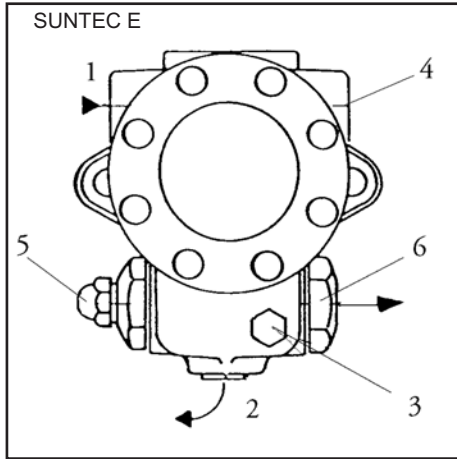


### Légende :

- A. Electrovanne de 1e Allure (N.C.)
- B. Electrovanne de 2e Allure (N.C.)
- D. Régulateur du fuel pendant le prebalayage.
- E. Réchauffeur.
- F. Soupape antigaz.
- G. Résistances
- H. Filtre.
- I. Pompe combustible.
- N. Manomètre.
- O. Elettrovalvola (N.O.).
- N.C. = Norm. fermée
- N.O. = Norm.ouverte



## Fonction - Pompe du brûleur

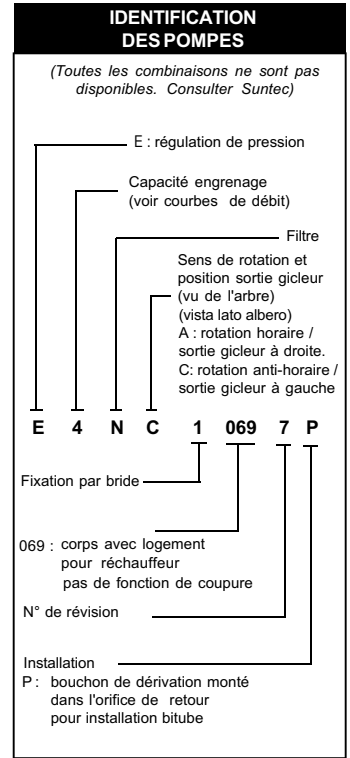


- 1 connexion d'aspiration.
- 2 connexion de retour.
- 3 connexion manomètre.
- 4 connexion vacuomètre.
- 5 réglage de la pression du fioul lourd.
- 6 connexion pression.

La pompe utilisée sur le brûleur de fioul domestique est une pompe auto-amorçante à engrenages qui doit être raccordée à un système bitube ; introduire le filtre dans la conduite d'aspiration. La pompe comprend un filtre d'aspiration et un régulateur de pression du fioul lourd. Avant la mise en fonction de l'appareil,

raccorder les manomètres de mesure de la pression et de la dépression.

N.B. : avant de démarrer le brûleur, contrôler que le retour est ouvert. Une éventuelle obstruction peut endommager le joint de la pompe.



### CARACTERISTIQUES TECHNIQUES

#### Généralités

|                        |   |
|------------------------|---|
| Fixation               | par bride selon la norme EN 225.  |
| Raccordements          | Cylindriques selon ISO 228/1  |
| Aspiration et return   | G 1/2"  |
| Sortir ligne gicleur   | G 1/4"  |
| Prise de pression      | G 1/8"  |
| Prise vacuomètre       | G 1/2"  |
| Fonction du régulateur | régulation de la pression sans coupure.   |
| Filtre                 | surface ouverte: 45 cm<br>ouverture de la maille: 550 µm  |
| Arbre                  | Ø 11mm selon la norme EN 225.   |
| Bouchon de dérivation  | monté dans l'orifice de retour pour raccordement bitube; à démonter avec une clé Allen de 3/16" pour raccordement monotube. |
| Poids                  | 4 kg  |

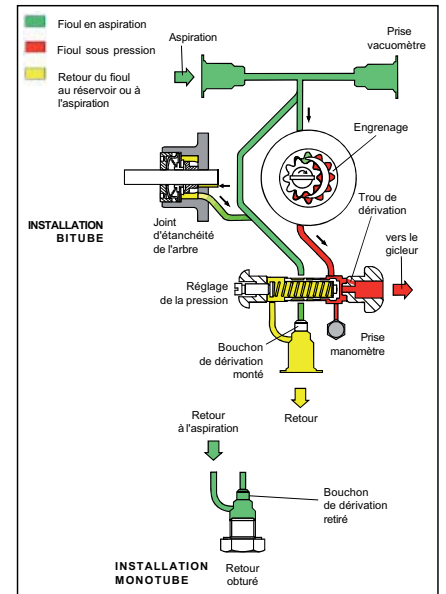
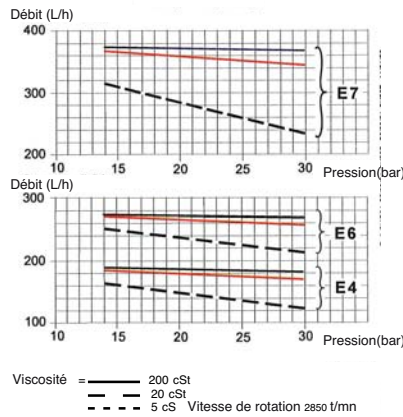
#### Caractéristiques Hydrauliques

|                       |   |
|-----------------------|---|
| Gamme de pression     | 14 - 30 bars  |
| Pression de livraison | 20 bars   |
| Gamme de viscosité    | 3 - 75 cSt  |
| Température du fioul  | 0 - 130°C max. dans la pompe  |
| Pression d'arrivée    | fioul domestique: 0,45 bars max.<br>de vide pour éviter le dégazage du fioul. |
|                       | fioul lourd : 3,5 bars max.   |
| Pression de retour    | fioul domestique: 3,5 bars max.<br>fioul lourd: 3,5 bars max.                 |
| Vitesse de rotation   | 3600 t/mn max.  |
| Couple (à 40 t/mn)    | 0,3 N.m   |

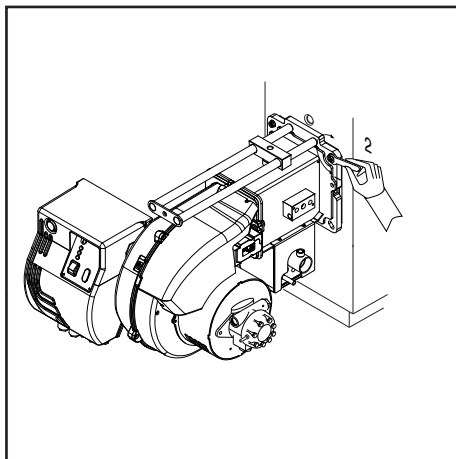
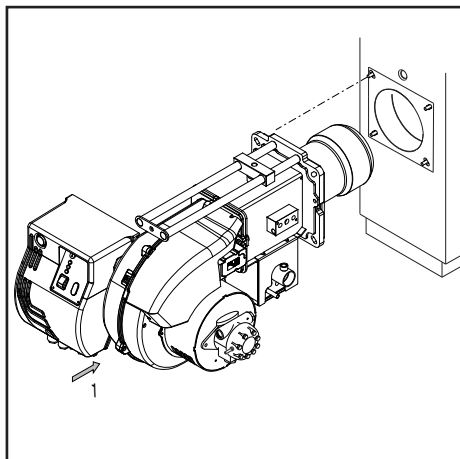
#### Choix du réchauffeur

|           |                |
|-----------|----------------|
| Cartouche | Ø 12 mm        |
| Raccords  | selon EN 50262 |
| Puissance | 50-80 W        |

#### Débit de la pompe



## Installation - Montage du brûleur



### Montage du brûleur

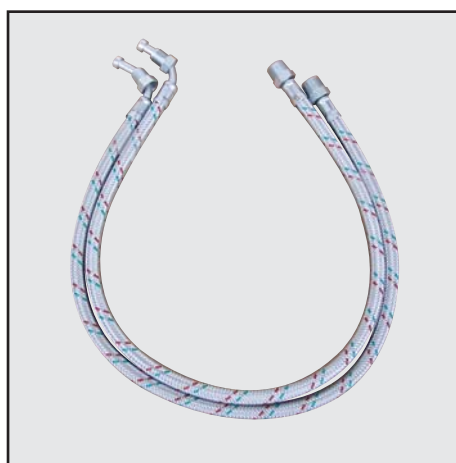
Le brûleur est fixé à la bride de fixation et, par conséquent, à la chaudière ; de cette manière, la chambre de combustion est fermée hermétiquement.

#### Montage :

- Fixer la bride de fixation à la chaudière au moyen des vis.

#### Démontage :

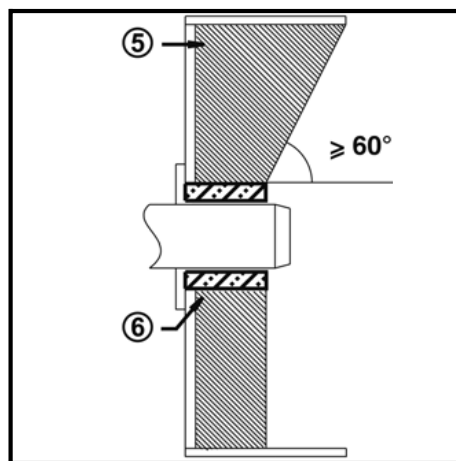
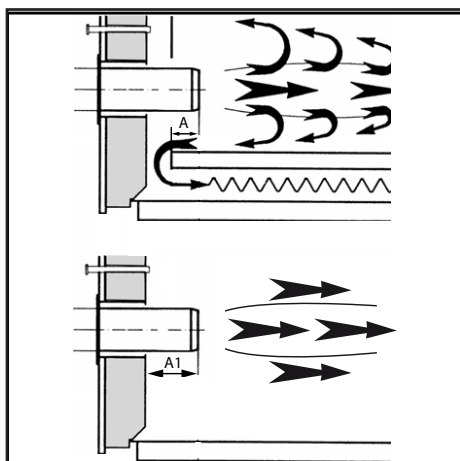
- Desserrer le vis.
- Extraire le brûleur de la chaudière.



### Branchement du fioul

Le filtre doit être monté de manière à ce qu'un guidage correct du tuyau flexible soit garanti.

Les tuyaux flexibles ne doivent pas être pliés.



### Profondeur de montage du tube du brûleur et garnissage en maçonnerie

Pour les générateurs sans paroi avant refroidie et en l'absence d'indications contraires par le constructeur de la chaudière, il est nécessaire de réaliser un garnissage en maçonnerie ou une isolation (5) selon la figure ci-contre. Le garnissage en maçonnerie ne doit pas déborder la bordure avant du gueulard et sa dépouille conique ne doit pas dépasser 60°. L'interstice d'air (6) doit être comblé avec un matériau d'isolation élastique et ininflammable.

Dans les chaudières, la profondeur de pénétration du tube de flamme doit être respectée tout en tenant compte des indications du constructeur de la chaudière.

Chaudières à foyer borgne :

A = 50-100 mm.

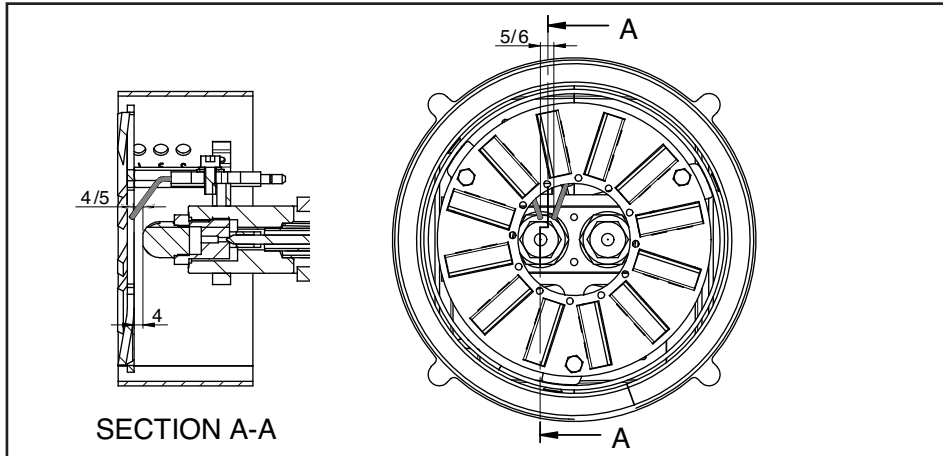
Chaudières à trois passes :

A1 = 50-100 mm.

### Mené des fumées

Au fin d'éviter du bruit non désirées, il est recommandé d'éviter les pièces de raccordement à angles droits lors du raccordement de la chaudière à la cheminée.

## Installation - Raccordement électrique - Contrôles avant la mise en service



### Position électrodes

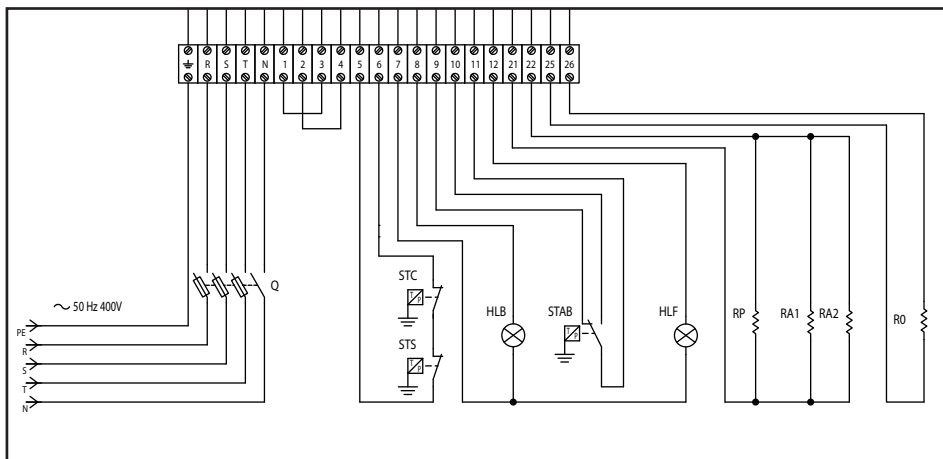
NB: Après le remplacement du gicleur, vérifier toujours la position des électrodes (voir à l'illustration). Une position erronée des électrodes pourrait donner des problèmes d'allumage.

### Raccordement électrique

L'installation électrique et les travaux de raccordement doivent être réalisés exclusivement par le personnel qualifié et autorisé. Les prescriptions et directives en vigueur doivent être respectées. L'installation d'alimentation devra être munie d'un interrupteur différentiel de type A.

**Respecter obligatoirement les prescriptions et les directives en vigueur, outre le schéma électrique fourni avec le brûleur!**

- Vérifier si la tension électrique d'alimentation correspond à la tension de fonctionnement indiquée de 230 V, 50/60 Hz courant monophasé avec neutre et mise à la terre. Fusible sur la chaudière: 5 A



### Contrôles avant la mise en service

Il convient de contrôler les points suivants avant la première mise en service.

- Montage du brûleur conformément aux présentes instructions.
  - Préréglage du brûleur conformément aux indications du tableau de réglage.
  - Réglage des organes de combustion.
  - Le générateur de chaleur doit être prêt à fonctionner, les prescriptions d'exploitation du générateur de chaleur doivent être respectées.
  - Toutes les connexions électriques doivent être réalisées correctement.
  - Le générateur de chaleur et le
- Les données de réglage ci-dessus sont des réglages de base. Les données de

réglage d'usine sont encadrées en gras et sur fond gris. Dans un cas normal, ces réglages permettent la mise en service du brûleur. Vérifier en tout état de cause soigneusement les valeurs de réglage. En général, en fonction de l'installation, des corrections doivent être apportées. système de chauffage sont remplis d'eau, les pompes de circulation sont en service.

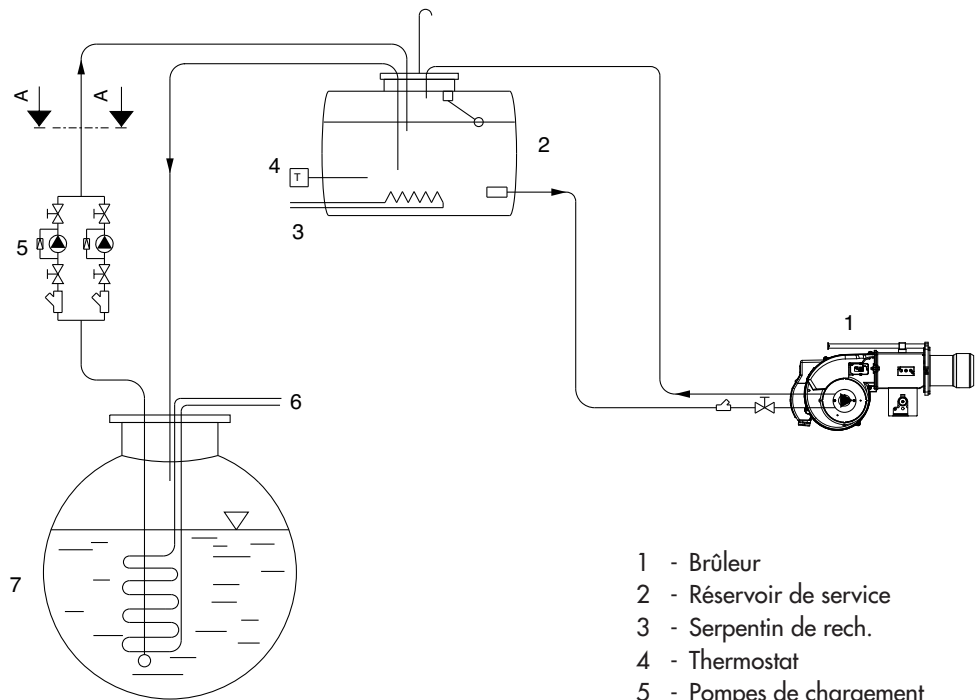
- Le régulateur de température, le régulateur de pression, la protection contre le manque d'eau et les autres dispositifs de limitation et de sécurité éventuellement présents sont raccordés et opérationnels.
- La cheminée doit être dégagée et le dispositif d'air additionnel, si présent, en

fonctionnement.

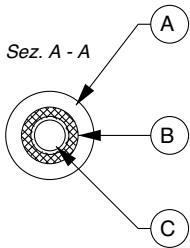
- Un apport d'air frais suffisant doit être garanti.
- La demande de chaleur doit être présente.
- Les réservoirs de combustible doivent être remplis.
- Les conduites de combustible doivent être montées dans les règles de l'art, leur étanchéité contrôlée et être purgées.
- Un point de mesure conforme aux normes doit être présent, le conduit de fumée jusqu'au point de mesure doit être étanche, de telle manière que les résultats de mesure ne soient pas faussés.

# Installation - Ligne d'alimentation du combustible

## SCHEMA ALIMENTATION DU FIOUL LOURD JUSQU'À 15°E À 50°C

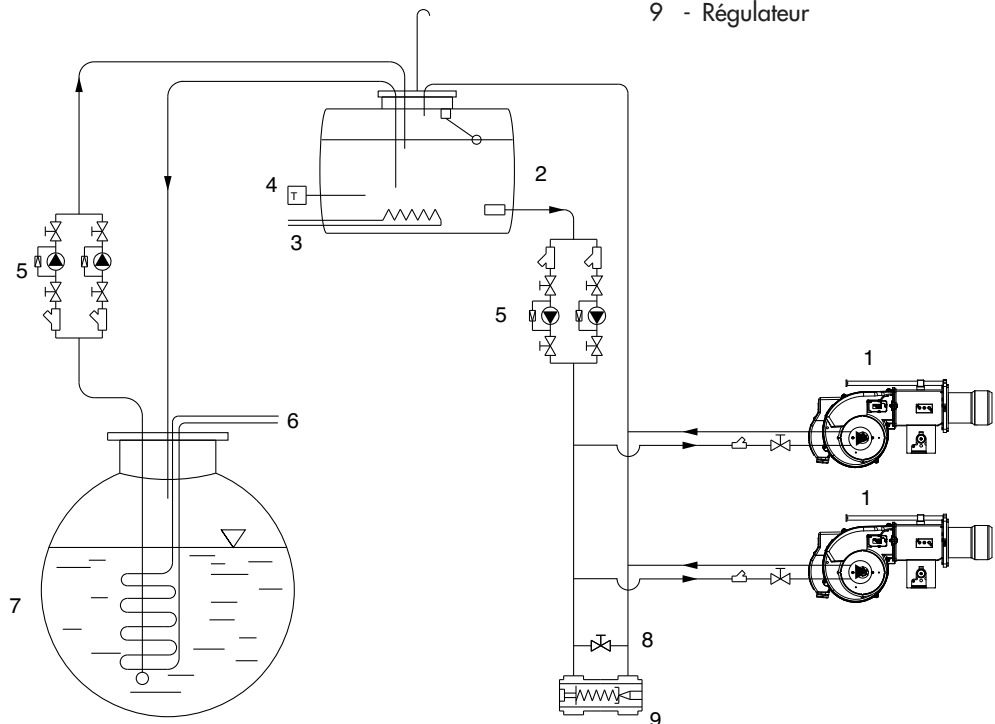


- 1 - Brûleur
- 2 - Réservoir de service
- 3 - Serpentin de rech.
- 4 - Thermostat
- 5 - Pompes de chargement
- 6 - Réchauffeur
- 7 - Réservoir principal
- 8 - By-pass
- 9 - Régulateur



### Légende

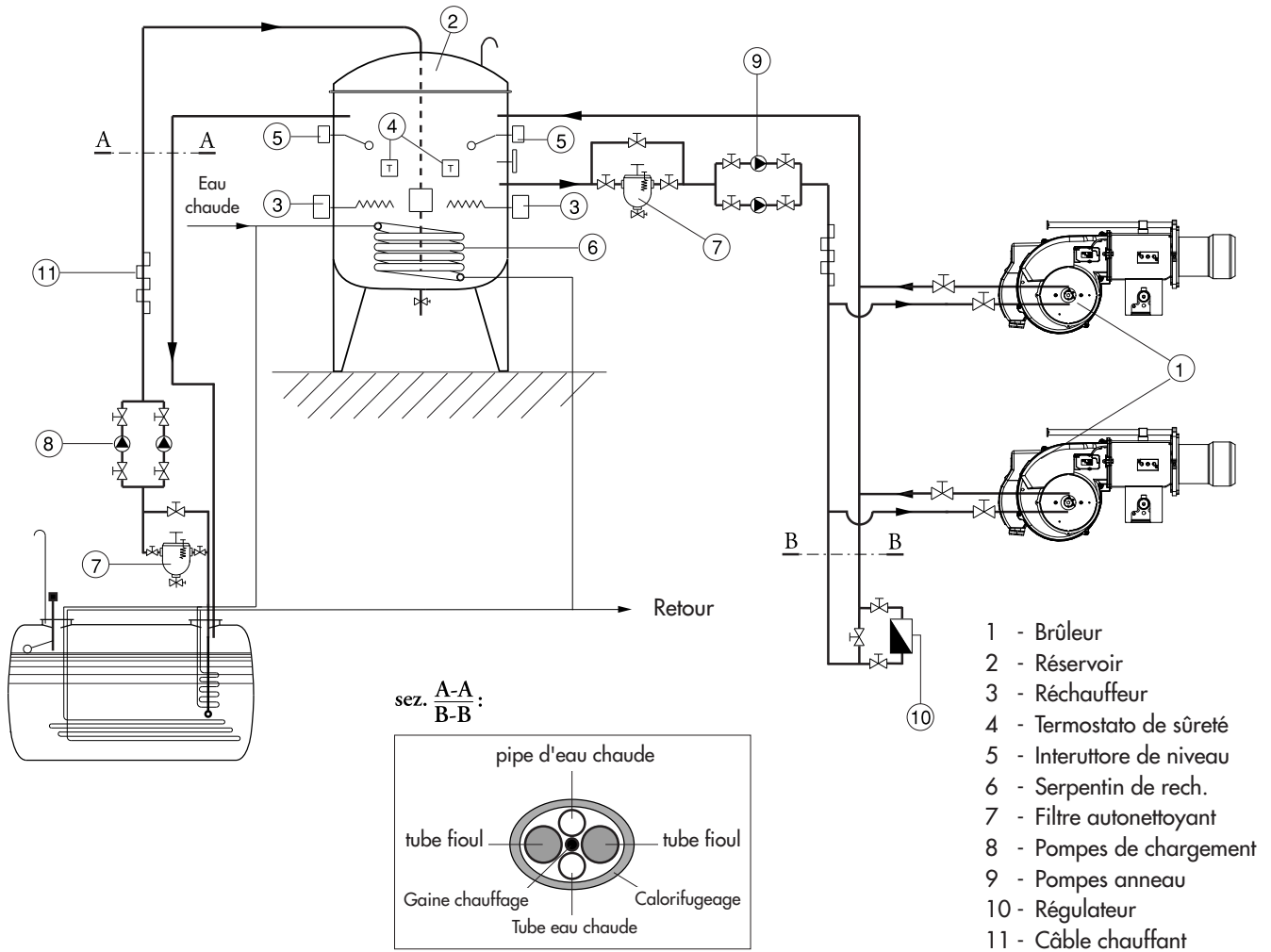
- A - gaine isolante
- B - Résistance électrique
- C - Tuyau alim. fuel.



**IMPORTANT:** Tous les tuyaux d'alimentation sont réchauffés (voir à la coupe A-A)

## Installation - Ligne d'alimentation du combustible

### SCHEMA ALIMENTATION DU FIOUL LOURD JUSQU'À 50°E À 50°C



**IMPORTANT:** Tous les tuyaux d'alimentation sont réchauffés (voir à la coupe A-A)

## Mise en service - Données de configuration - Réglage de l'air

| Maxflam 30 AB    |            |                       |            |                  |           |                |             |                    |              |                                    |            |
|------------------|------------|-----------------------|------------|------------------|-----------|----------------|-------------|--------------------|--------------|------------------------------------|------------|
| débit brûleur kW |            | pression chambre mbar |            | débit fioul kg/h |           | gicleur 60° HO |             | pression pompe bar | réglage tête | réglage volet d'air de servomoteur |            |
| 1° allure        | 2° allure  | 1° allure             | 2° allure  | 1° allure        | 2° allure | 1° allure      | 2° allure   |                    |              | 1° allure                          | 2° allure  |
| 205              | 274        | 1,6                   | 3,3        | 18               | 24        | 3,00           | 1,00        | 23                 | 1            | 18°                                | 30°        |
| <b>239</b>       | <b>331</b> | <b>1,3</b>            | <b>3,7</b> | <b>21</b>        | <b>29</b> | <b>3,50</b>    | <b>1,50</b> | <b>23</b>          | <b>2</b>     | <b>20°</b>                         | <b>40°</b> |
| 274              | 388        | 1                     | 4          | 24               | 34        | 4,00           | 2,00        | 23                 | 3            | 20°                                | 60°        |

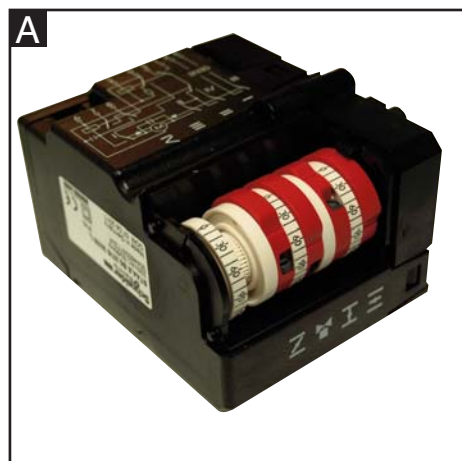
| Maxflam 50 AB    |            |                       |           |                  |           |                |             |                    |              |                                    |            |
|------------------|------------|-----------------------|-----------|------------------|-----------|----------------|-------------|--------------------|--------------|------------------------------------|------------|
| débit brûleur kW |            | pression chambre mbar |           | débit fioul kg/h |           | gicleur 60° HO |             | pression pompe bar | réglage tête | réglage volet d'air de servomoteur |            |
| 1° allure        | 2° allure  | 1° allure             | 2° allure | 1° allure        | 2° allure | 1° allure      | 2° allure   |                    |              | 1° allure                          | 2° allure  |
| 205              | 296        | 1,5                   | 3,5       | 18               | 26        | 3,00           | 1,50        | 23                 | 1            | 15°                                | 40°        |
| <b>262</b>       | <b>388</b> | <b>1,3</b>            | <b>4</b>  | <b>23</b>        | <b>34</b> | <b>4,00</b>    | <b>2,00</b> | <b>22</b>          | <b>2</b>     | <b>20°</b>                         | <b>50°</b> |
| 308              | 479        | 1,4                   | 4,7       | 27               | 42        | 4,50           | 2,50        | 23                 | 3            | 20°                                | 50°        |

Les régulations indiquées sur suis **régulations de base**. Avec ces sélections, normalement, le brûleur peut être mis en fonction. Le réglage doit ensuite être vérifié au moyen d'un analyseur de

combustion. Des corrections subordonnées à chaque installation pourraient s'avérer nécessaires. On peut obtenir des valeurs de combustion favorables en utilisant les

buses suivantes:

DANFOSS H+S 80°+60°  
DELANAN W 60°  
STEINEN S 60°



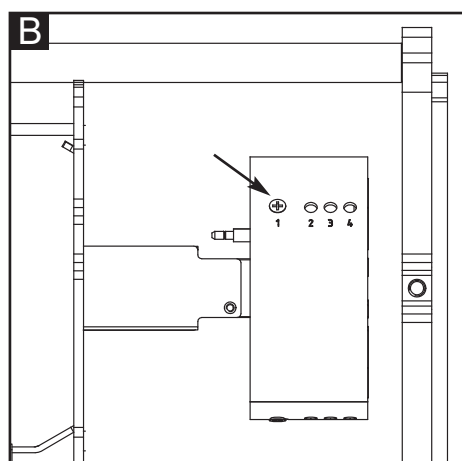
### Réglage de l'air (A).

Enlever le couvercle pour avoir accès aux cames de régulation. La régulation des cames doit être faite à l'aide de la clé en dotation.

Description :

- I - Came de régulation de la position d'ouverture en 2me Allure (Puissance max.).
- II - Came de régulation de la position du clapet de l'air à la coupure (fermeture) 0°.
- III - Camma di consenso all'apertura dell'elettrovalvola del 2° stadio.
- IV - Came de régulation de la position d'ouverture en 1re Allure (Puissance min.).

**Note** : la came III (de consentement à l'ouverture de l'électrovanne de 2me. allure) doit être réglée sur une position intermédiaire entre celle de 1re. allure et de 2me. allure (sous un angle de env. 5° supérieur par rapport à celui de la position de 1re. allure).



### Régulation de la tête de combustion (B).

Extraire le brûleur de la bride. Modifier la position de la bande (1,2,3,4) sur la tête en agissant sur la vis à l'aide d'un tournevis pour obtenir la valeur souhaitée. Fixer la bande et remonter le brûleur dans la bride.

## Mise en service - Réglage du brûleur - Réglage de la pression fioul lourd

**! Risque de déflagration:**  
Contrôler en permanence le CO, le CO<sub>2</sub> et les émissions de fumée pendant le réglage. En cas de formation de CO, optimiser les valeurs de combustion. La teneur en CO ne doit pas dépasser 50 ppm.

### Démarrage du brûleur

Avant de démarrer le brûleur, remplir les conduites jusqu'à ce que le filtre du fioul domestique soit plein. Ensuite, démarrer le brûleur en agissant sur le thermostat de la chaudière. Pour éliminer complètement l'air de la conduite du fioul lourd, desserrer la vis de purge dans le filtre du fioul lourd durant la phase de pré-aération. Ce faisant, il ne faut pas parvenir sous une dépression de 0,4 bar. Lorsque le fuel émergeant est exempt de bulles d'air et le filtre est entièrement rempli de fuel, fermer la vis de purge.

### Réglage de la puissance du brûleur

Régler la pression du fioul domestique de manière à ce que le brûleur distribue la puissance souhaitée, en agissant sur le régulateur de pression. Toujours contrôler les valeurs de la combustion (CO, CO<sub>2</sub>, indice de fumosité). Modifier, au besoin, le débit d'air, en procédant éventuellement de façon progressive.

### Optimiser les valeurs de combustion

Si les valeurs de combustion ne sont pas satisfaisantes, modifier la position de la tête de combustion. On modifie ainsi le comportement de mise en marche ainsi que les valeurs de la combustion. Si nécessaire, compenser la variation de débit d'air en adaptant la position du volet d'air.

**Attention: en cas d'installation sur une chaudière, respecter la température minimale des fumées d'évacuation en fonction des indications du fabricant de la chaudière et selon les exigences du système d'évacuation des fumées, afin d'éviter la formation de condensation.**

### Réglage de la pression fuel

Pour régler la pression du fuel (et donc le débit du brûleur) agir sur le régulateur de pression 5 dans la pompe.

Rotation vers:

- la droite : augmentation de la pression;
- la gauche : diminution de la pression.

Pour le contrôle, il est nécessaire de raccorder un manomètre au branchement, manomètre 3, filetage R1/8 pouce.

### Contrôle de la dépression

Le vacuomètre pour le contrôle de la dépression doit être connecté sur la prise 4, R1/8".

Dépression maximale permise 0,4 bar. Avec dépression supérieure, le fuel de chauffage gazéifie en provoquant un bruit strident et l'endommagement de la pompe.

### Regulation thermostats fioul lourd

Le thermostat de travail des résistances doit être réglé autour de 100-140 °C et le thermostat de sécurité est pré-calibrée.

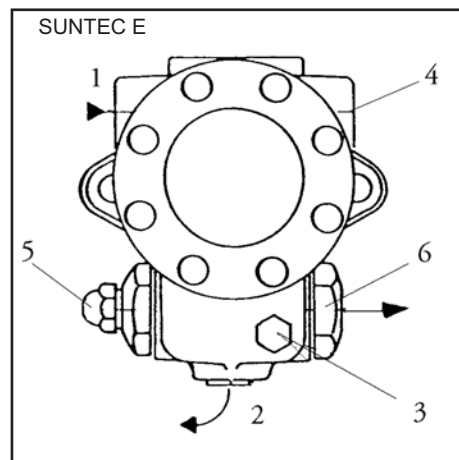
Ces régulations peuvent être légèrement modifiées en fonction du type de combustible et d'applications particulières.

- A - Thermostat de travail (100-140 °C).
- B - Thermostat d'arrêt (150 °C).
- C - Thermostat tête de combustion (120-140 °C).

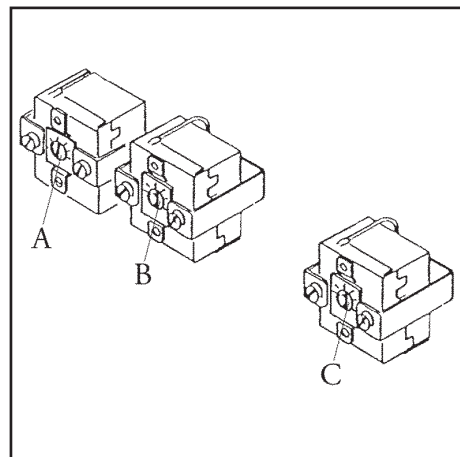
### Contrôle de fonctionnement

Il convient de procéder à un contrôle de sécurité de la surveillance de flamme aussi bien lors de la première mise en service qu'après des révisions ou un arrêt prolongé de l'installation.

- Tentative de démarrage avec la cellule de détection de flamme assombri : au terme du temps de sécurité, le coffret de sécurité doit se déplacer sur anomalie.
- Démarrage avec la cellule de détection de flamme éclairée : après une prévention de 5 secondes, le coffret de sécurité doit se déplacer sur anomalie.
- Démarrage normal: lorsque brûleur est en service, assombrir le cellule de détection de flamme: après un nouveau démarrage et au terme du temps de sécurité, le coffret de sécurité doit se déplacer sur anomalie.



- 1 connexion d'aspiration.
- 2 connexion de retour.
- 3 connexion manomètre.
- 4 connexion vacuomètre.
- 5 réglage de la pression du fioul lourd.
- 6 connexion pression.



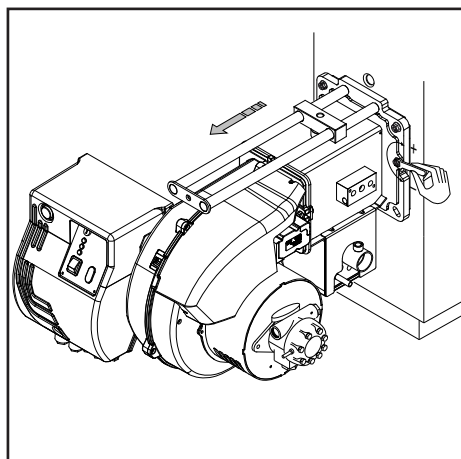
| ! Enregistrement des données de mise en service |     |     |
|---|-----|-----|
| Test  | n°1 | n°2 |
| Data  |     |     |
| Modèle  |     |     |
| Type de fioul                                   |     |     |
| Valeur calorifique du fioul                     |     |     |
| Puissance du brûleur                            | min | kW  |
| Puissance du brûleur                            | max | kW  |
| Température fumée                               |     | °C  |
| Température de l'air                            |     | °C  |
| CO <sub>2</sub>                                 |     | %   |
| CO  |     | ppm |
| NOx   |     | ppm |
| Rendement                                       |     | %   |
| Action corrective                               |     |     |
| Nom de l'opérateur                              |     |     |
| Entreprise                                      |     |     |

## Maintenance - Entretien

Les travaux d'entretien sur la chaudière et sur le brûleur ne doivent être exécutés que par un spécialiste en chauffage. Afin d'assurer des opérations d'entretien régulières la souscription d'un contrat d'entretien doit être recommandée à l'utilisateur de l'installation.

### Attention

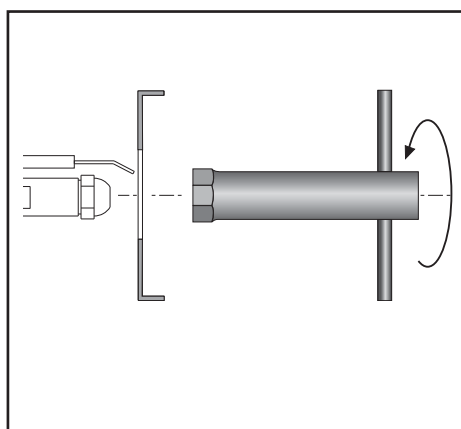
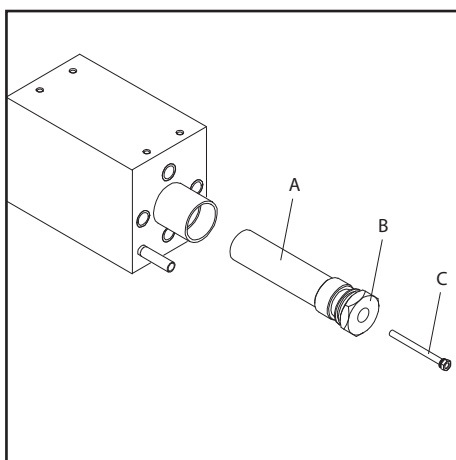
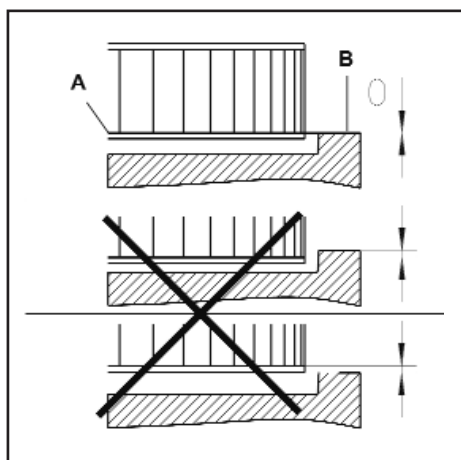
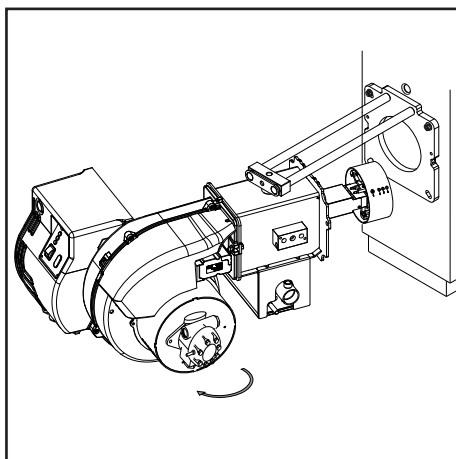
- Avant toute intervention d'entretien et de nettoyage, couper l'alimentation électrique.



- L'gueulard et les composantes de la tête peuvent être chauds.

### Contrôle des températures des gaz de combustion

- Contrôler régulièrement la température des gaz de combustion.
- Nettoyer la chaudière lorsque la température des gaz de combustion dépasse la valeur à la mise en service de plus de 30°C.
- Utiliser un afficheur de température des gaz de combustion pour faciliter le contrôle.



**Nettoyage et remplacement du gicleur**  
Utiliser seulement la clé en dotation, prévue pour cette opération, pour dévisser le gicleur, en veillant à ne pas endommager les électrodes. Monter le nouveau gicleur par le même soin.

**Note:** Après le remplacement du gicleur, vérifier toujours la position des électrodes (voir à l'illustration). Une position erronée des électrodes pourrait donner des problèmes d'allumage.

### Positions d'entretien du brûleur

- Après avoir desserré les vis de fixation à la vis du brûleur, il est possible de l'extraire et de le tourner dans la position d'entretien pour:
  - remplacement du gicleur
  - remplacement/réglage des électrodes
  - nettoyage/remplacement du disque
  - régulation de la tête de combustion

### Positions d'entretien

- Nettoyer la turbine et le carter, et vérifier qu'ils ne sont pas endommagés.
- Vérifier et nettoyer la tête de combustion.
- Remplacer le gicleur.
- Vérifier les électrodes, les régler ou les remplacer si nécessaire.
- Remonter la tête de combustion. Vérifier les réglages.
- Remonter le brûleur.
- Démarrer le brûleur, vérifier la combustion, et corriger les réglages du brûleur si nécessaire.
- Tous les composants d'alimentation en combustible (flexibles, pompe, tube de liaison avec la ligne gicleur) et leurs accouplements respectifs devraient être vérifiés (étanchéité, usure) et changés si nécessaire.
- Vérifier toutes les connexions électriques et les câbles, et les remplacer si nécessaire.
- Vérifier le filtre de la pompe et le nettoyer si nécessaire.

### Montage de la turbine

Lors du changement du moteur ou de la turbine, se référer au schéma de positionnement.

Le flasque interne **A** de la turbine doit être aligné avec la platine **B**. Insérer un réglé entre les aubes de la turbine et amener **A** et **B** à la même hauteur, serrer la vis sans tête avec une encoche sur le ventilateur

### Nettoyage du filtre monte dans le réchauffeur

Estraction du filtre :

- 1 Eteindre le brûleur et laisser refroidir.
- 2 Extraire l'ampoule du thermomètre fioul lourd C.
- 3 Dévisser la vis B et décharger une partie d'huile contenue à l'intérieur du réchauffeur, de façon à ce que le niveau du liquide descende au-dessous du filtre
- 4 Dévisser et extraire la tige du filtre A de son siège
- 5 Après avoir nettoyé le filtre, remonter les parties suivant l'illustration et le réintroduire dans son siège. Il serait souhaitable de remplacer toutes les joints du filtre et de la vanne chaque fois que ces derniers sont démontés.

**Note:** On rappelle que, lorsque le brûleur est en fonction, dans le réchauffeur il y a une pression d'env. 23 bar et que, par conséquence devient très dangereux effectuer des opérations susdites avec le brûleur en marche.

## Maintenance - Problèmes possibles

### Causes et élimination des anomalies

En présence d'anomalies, es conditions de fonctionnement normal doivent être vérifiées:

1. Y a-t-il du courant?
2. Y a-t-il du fioul lourd dans la citerne?
3. Tous les robinets d'arrêt sont-ils ouverts?
4. Tous les appareils de régulation et de sécurité tels que thermostat de chaudière, protection contre le manque d'eau, interrupteur de fin de course, sont-ils réglés?

Au cas où, après je contrôle des points susdits, l'anomalie persistait, employer le suivant tableau.

Les composantes de sécurité ne doivent pas être réparés, mais plutôt ils doivent être substitué avec des composantes rapportant le même code articule.

**Utiliser exclusivement des pièces de rechange d'origine.**

### NB: Après toute intervention contrôler:

- es valeurs de combustion en conditions de exercice (porte de la locale chaudière éclose, couverture montée, etc).
- enregistrer les valeurs de combustion

dans le livret de central.

**Tableau des codes de défaut**

| Clignotement "rouge" du voyant de défaut | «AL» sur borne 10 | Cause possible  |
|--|-------------------|---|
| clignote 2 x                             | Marche            | Pas de présence de flamme à la fin de «TSA»<br>- vannes de combustible défect. ou encrassées.- sonde de flamme défectueuse ou encrassée. - mauvais réglage du brûleur, pas de combustible.<br>- dispositif d'allumage défectueux. |
| clignote 3 x                             | Marche            | Libre   |
| clignote 4 x                             | Marche            | Lumière parasite au démarrage du brûleur  |
| clignote 5 x                             | Marche            | Libre   |
| clignote 6 x                             | Marche            | Libre   |
| clignote 7 x                             | Marche            | Disparition de flamme trop fréquente en cours de fonctionnement (limitation des répétitions) - vannes de combustible défect. ou encrassées. - sonde de flamme défectueuse ou encrassée. - mauvais réglage du brûleur.             |
| clignote 8 x                             | Marche            | Surveillance du préchauffeur de fioul<br>- 5 x défaillance du préchauffeur de fioul durant la pré-ventilation   |
| clignote 9 x                             | Marche            | Libre   |
| clignote 10 x                            | Arrêt             | Défaut de câblage ou défaut interne, défaut permanent des contacts de sortie, autres défauts.   |
|  | Marche            | 3 x défaut temporaire des contacts de sortie  |

## Contenidos generales - índice - advertencias generales

|                             |   |       |
|-----------------------------|---|-------|
| <b>Descripción</b>          | Declaración de conformidad                        | 3     |
|                             | Datos técnicos                                    | 4     |
|                             | Ámbito de funcionamiento                          | 5     |
|                             | Dimensiones                                       | 6     |
| <b>Contenidos generales</b> | índice  | 46    |
|                             | Advertencias generales                            | 46    |
|                             | Descripción del quemador                          | 47    |
| <b>Función</b>              | Funciones generales de seguridad                  | 48    |
|                             | Equipo control llama y de seguridad Siemens LMO44 | 49    |
|                             | Bomba del quemador                                | 50    |
| <b>Instalación</b>          | Montaje del quemador                              | 51    |
|                             | Conexión eléctrica                                | 52    |
|                             | Comprobaciones previas a la puesta en servicio    | 52    |
|                             | Línea de alimentación del combustible             | 53    |
| <b>Puesta en servicio</b>   | Datos de ajuste - ajuste del aire                 | 55    |
|                             | Ajuste del quemador                               | 56    |
|                             | Ajuste de la presión de fuel pesado               | 56    |
|                             | Registro de los datos de puesta en funcionamiento | 56    |
| <b>Mantenimiento</b>        | Conservación                                      | 57    |
|                             | Posibles inconvenientes                           | 58    |
| <b>Descripción</b>          | Esquemas eléctrico                                | 72-74 |
|                             | Piezas de recambio                                | 75-77 |

### Advertencia

Los quemadores Ecoflam se han diseñado y construido de acuerdo con las normativas y directivas corrientes.



**Todos los quemadores responden a las normativas sobre la seguridad y sobre el ahorro energético en el límite del campo de trabajo declarado.**



**El quemador no debe funcionar por fuera del campo de trabajo.**

La calidad del producto está garantizada por el sistema de certificación según la norma ISO 9001:2008.

Los quemadores MAXFLAM se han concebido para la combustión de fuel pesado.



**Los quemadores cumplen la norma EN 267. La instalación, la puesta en marcha y el mantenimiento deben ser realizados exclusivamente por técnicos instaladores autorizados siguiendo las directivas y recomendaciones vigentes.**

### Descripción del quemador

El quemador MAXFLAM es un aparato monobloque de dos etapas y con un funcionamiento completamente automático. La geometría del cabezal de combustión permite obtener niveles bajos de NOx y de gases no quemados, maximizando el rendimiento del generador. Las emisiones pueden ser

diferentes de aquellas obtenidas en el laboratorio de prueba ya que dependen mucho del generador en el cual el quemador está instalado.

El instalador debe respetar las normativas vigentes. Por ejemplo, se deben evitar locales con atmósferas peligrosas y no ventiladas.

### Embalaje y desplazamiento

Desplace el quemador en su embalaje con una carretilla elevadora o un montacargas prestando atención a no dejarlo caer, manteniéndose a una distancia de no más de 20 cm del suelo. Después de sacar el equipo del embalaje, controle que esté íntegro y que corresponda al producto



encargado. En caso de duda, póngase en contacto con el fabricante.



**La instalación del quemador debe ser llevada a cabo por personal habilitado.**

Si las dimensiones o el peso no permiten efectuar el levantamiento manual, pida ayuda a otro operador, o utilice un

montacargas y envuelva el quemador con bandas apropiadas si no están disponibles los cáncamos.



Use los accesorios suministrados (brida, empaquetadura, pernos y tuercas) para instalar el quemador en la caldera, prestando atención a no estropear la empaquetadura aislante.

**No quedan cubiertos por la garantía los daños resultantes de las siguientes causas:**

- uso inadecuado.
- montaje defectuoso, instalación realizada por el comprador o un tercero, uso de piezas no originales.

### Entrega de la instalación y consejos de uso

El instalador del sistema debe facilitar al usuario de la misma, como muy tarde en el momento de la entrega, las instrucciones de uso y mantenimiento. éstas deben conservarse en un lugar bien visible de la sala de calderas. Deben contener la dirección y número de teléfono del servicio de atención al cliente más cercano.

### Advertencia para el operador

Al menos una vez al año, un técnico especialista deberá revisar la instalación. Para garantizar que dicha revisión se realice de una manera regular, es muy recomendable suscribir un contrato de mantenimiento.

## Contenidos generales - Descripción del quemador

MAXFLAM 30 AB TC 230-400-50

**NOMBRE**

MAXFLAM fuel pesado

**MODELO (Gas: kW; fuel pesado: kg/h)**

MAXFLAM 30 36 kg/h - 410 kW

**TIPO DE OPERACIÓN**

- 1 llama  
AB 2 llama

**TIPO DE CABEZA**

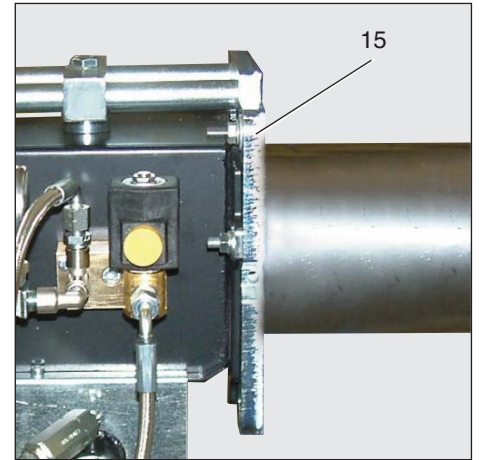
TC Cabeza corta  
TL Cabeza larga

**COMBUSTIBLE**

fuel pesado: max visc. 50° E a 50°C

**TENSION DE ALIMENTACIÓN**

230-400-50 230-400 Volt, 50 Hz

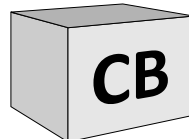


- A1 Siemens LMO44 cajetín de control y de seguridad
- M1 Motor eléctrico para bombas y ventiladores
- T1 Transformador
- 5 Tornillo de fijación de la placa
- 9 Cuadro de mandos
- 15 Brida del quemador
- 16 Botón de desbloqueo
- 102 Bomba
- 103B Regulación del aire
- 113 Toma de aire

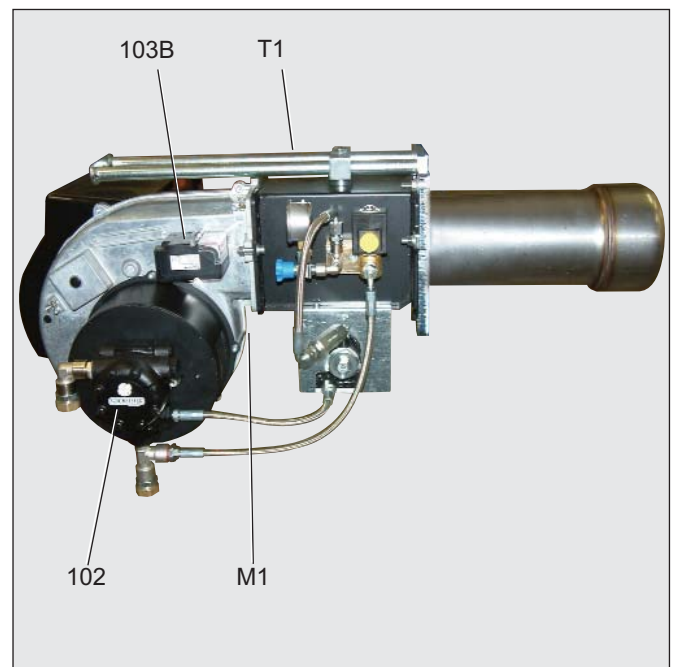
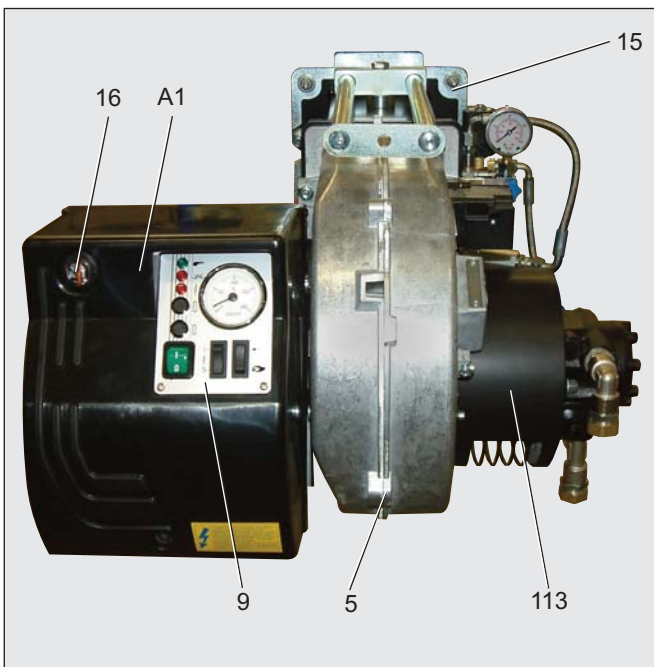
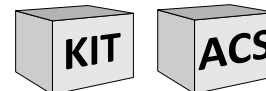
**Embalaje**

CB : QUEMADOR COMPLETO

- 1 bolsa
- manual técnico multilingüe.
- filtro y latiguillos.
- inyector y clave para inyector.
- tornillo, tuercas y arandelas.



**KIT & ACS disponibles y entregados por separado**



## Función - Funciones generales de seguridad

### Funcionamiento

- Poner la instalación bajo tensión. Una vez que se ha alcanzado la temperatura programada en el termostato de trabajo y con los contactos de la caldera cerrados, el equipo de control pone en marcha el ventilador, la bomba de combustible y el transformador de encendido. Al mismo tiempo se activan las resistencias que sirven para mantener constante la temperatura del combustible dentro del precalentador.

- El motor arranca, el encendedor se activa y comienza el tiempo de preventilación (25 s).

Durante la preventilación, el hogar está vigilado para detectar una posible presencia de llama.

- Tras la preventilación, las electroválvulas de fuel pesado se abren y el quemador se enciende.

- Durante el funcionamiento, el circuito de encendido se interrumpe.

cierran y la llama se apaga.

- El motor del quemador se detiene.
- El quemador está listo para funcionar.

### Función de seguridad

El bloqueo de seguridad se produce:

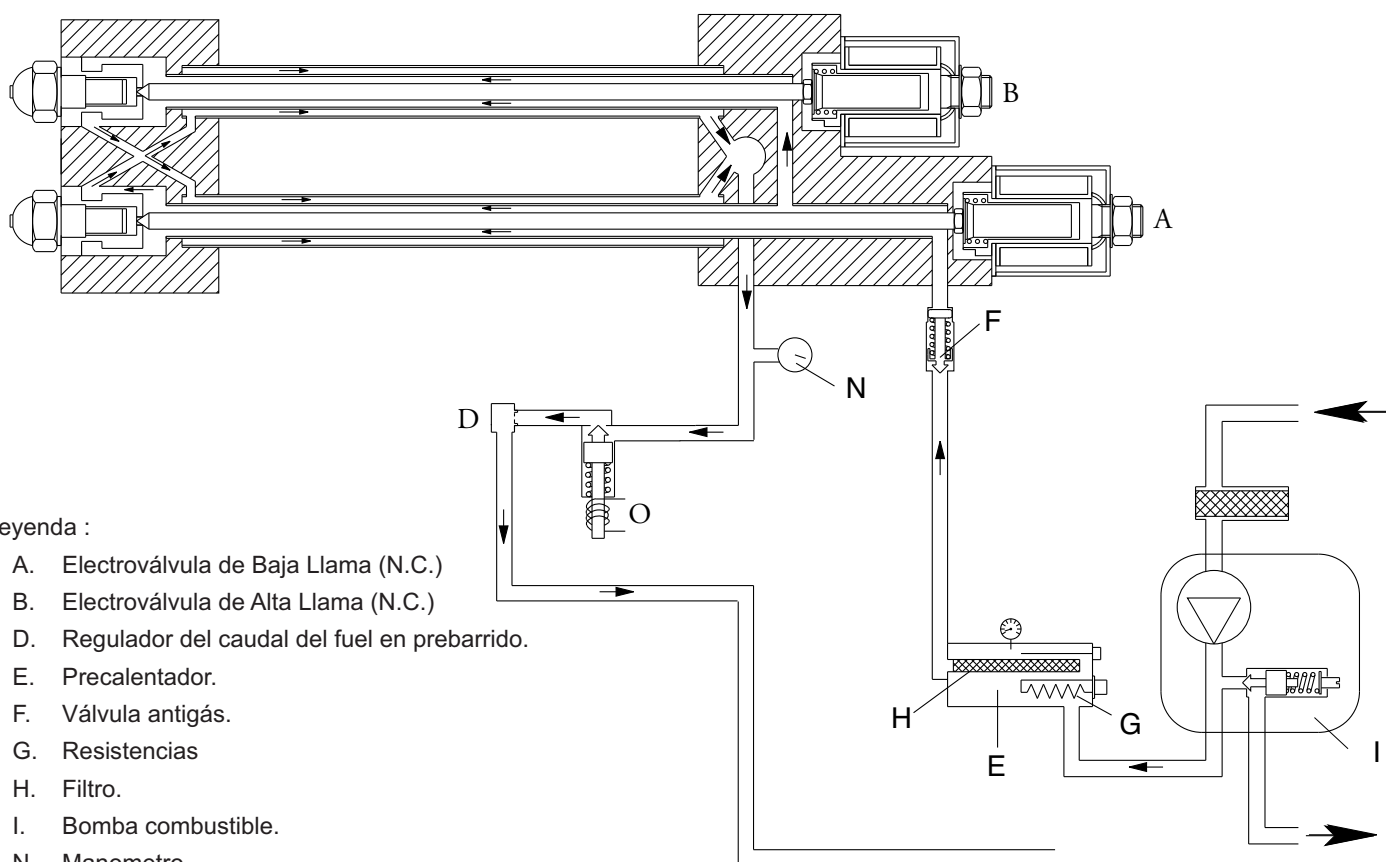
- cuando, durante la preventilación, se detecta señal de llama, (vigilancia de llama parásita);
- cuando, en el momento de la puesta en marcha (autorización de admisión de combustible), no se produce llama al cabo de 5 segundos (tiempo de seguridad);
- cuando, en caso de pérdida de llama en funcionamiento, no se ha formado llama tras una repetición infructuosa del programa.

Un bloqueo de seguridad se indica con el testigo de fallo. El quemador se desbloquea una vez eliminada la causa del fallo pulsando el botón de desbloqueo.

### Parada de regulación

- El termostato de la caldera interrumpe la solicitud de calor.

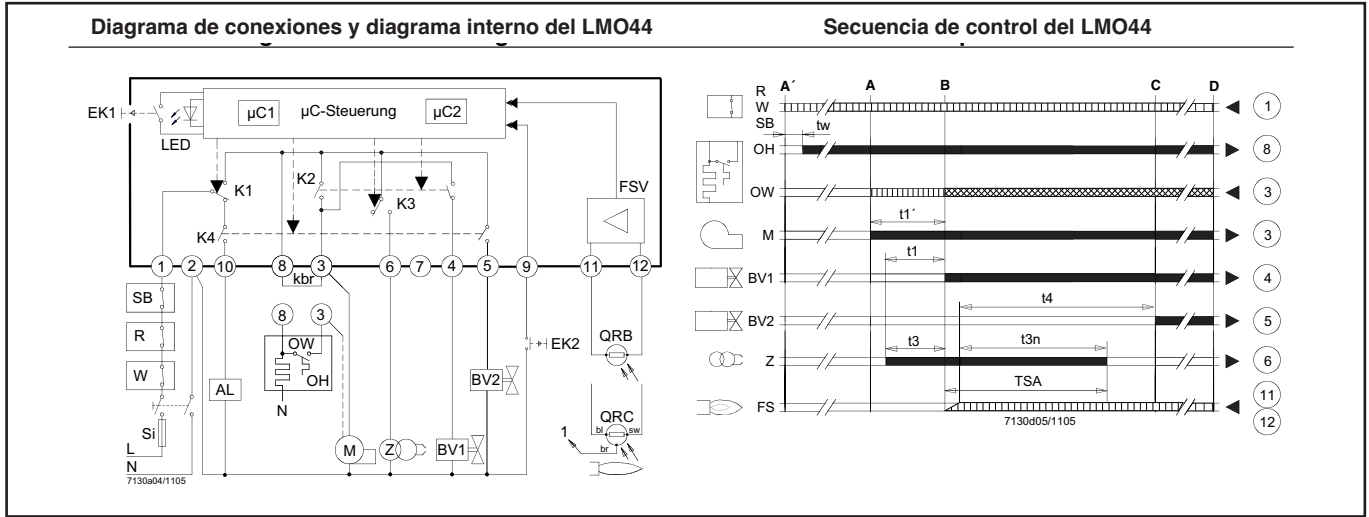
- Las electroválvulas de fuel pesado se



Leyenda :

- A. Electroválvula de Baja Llama (N.C.)
- B. Electroválvula de Alta Llama (N.C.)
- D. Regulador del caudal del fuel en prebarrido.
- E. Precalentador.
- F. Válvula antigás.
- G. Resistencias
- H. Filtro.
- I. Bomba combustible.
- N. Manómetro.
- O. Electroválvula (N.O.).
- N.C. = Norm. cerrada
- N.O. = Norm. abierta

**Función - Equipo control llama y de seguridad Siemens LMO44**

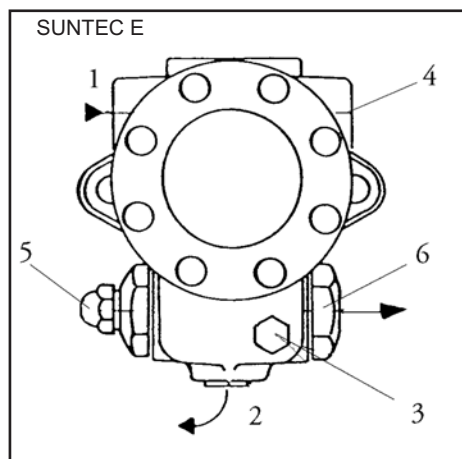


**!** Antes del montaje o del desmontaje del programador de comando, el equipo debe ser desconectado de la red de alimentación. El programador de comando no debe ser abierto o reparado.

- |   |   |   |
|---|---|---|
| <p>AL Dispositivo de alarma</p> <p>BV... Válvula de combustible</p> <p>EK1 Botón de reinicio de seguridad</p> <p>EK2 Botón de reinicio de seguridad remoto</p> <p>FS Señal de llama</p> <p>FSV Amplificador de señal de llama</p> <p>K... Contactos del relé de control</p> <p>Kbr Enlace (necesario sólo cuando no se usa precalentador de aceite)</p> <p>LED lámpara indicadora de tres colores</p> <p>M Motor del quemador</p> <p>OW Contacto de desconexión del precalentador</p> | <p>OH Precalentador de aceite</p> <p>QRB... Detector de llama fotorresistiva</p> <p>QRC... Detector de llama azul<br/>bl = azul br = marrón sw = negro</p> <p>R Termostato o presóstato de control</p> <p>SB Termostato de límite de seguridad</p> <p>Si Cortacircuitos primario externo</p> <p>W Interruptor de límite de termostato o presión</p> <p>Z Transformador de encendido</p> <p>TSA Tiempo de seguridad de encendido</p> <p>tw Tiempo de espera</p> <p>t1 Tiempo de prepurga</p> | <p>t1' Tiempo de purga</p> <p>t3 Tiempo de preencendido</p> <p>t3n Tiempo de postencendido</p> <p>t4 Intervalo desde la señal de llama hasta la desconexión de la «BV2»</p> <p>A' Inicio de la secuencia de arranque con quemadores que usan el «OH»</p> <p>A Inicio de la secuencia de arranque con quemadores que no usan el «OH»</p> <p>B Tiempo de fijación de llama</p> <p>C Posición de operación</p> <p>D Parada de emergencia controlado por el «R»</p> |
|---|---|---|

| <b>Tabla de códigos de color de la lámpara de señales multicolor (LED)</b> |  |                       |
|--|--|-----------------------|
| Estado   | Código de color  | Color                 |
| Tiempo de espera   | ○ .....  | Apagado               |
| Precalentador de aceite encendido, tiempo de espera «tw»                   | ● .....  | Amarillo              |
| Fase de encendido, encendido controlado                                    | ●○●○●○●○●○●○●○●○●○●○●○   | Amarillo intermitente |
| Operación, llama ok  | □ .....  | verde                 |
| Operación, llama no ok   | □○□○□○□○□○□○□○□○□○□○□○   | Verde intermitente    |
| Luz extraña en el arranque del quemador                                    | □▲□▲□▲□▲□▲□▲□▲□▲□▲□▲   | Verde-rojo            |
| Bajo voltaje   | ●▲●▲●▲●▲●▲●▲●▲●▲●▲●▲   | Amarillo-rojo         |
| Falla, alarma  | ▲ .....  | Rojo                  |
| Salida de código de error «Cuadro de códigos de error»                     | ▲○▲○▲○▲○▲○▲○▲○▲○▲○▲○   | Rojo intermitente     |
| Diagnóstico de interfaz  | ▲▲▲▲▲▲▲▲▲▲▲▲▲▲▲▲▲▲▲▲   | Luz roja parpadeante  |
| Referencias:   | ..... Funcionamiento constante      ▲ Rojo      □ verde<br>○ Apagado    ● Amarillo |                       |

## Función - Bomba del quemador



- 1 conexión de aspiración.
- 2 conexión de retorno.
- 3 conexión manómetro.
- 4 conexión vacuómetro.
- 5 ajuste de la presión de fuel pesado.
- 6 conexión presión.

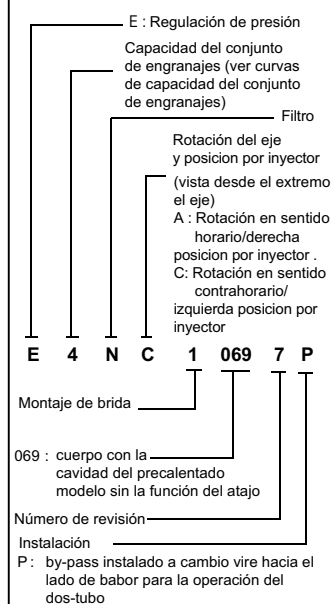
La bomba utilizada en el quemador de fuel pesado es un bomba de engranajes autocebadora, que se tiene que conectar con sistema bitubo; es necesario introducir el filtro en el tubo de aspiración. La bomba dispone de un filtro de aspiración y de un regulador de presión del fuel pesado. Antes de la puesta en funcionamiento del

aparato, es necesario conectar los manómetros para medir la presión y la depresión.

**NB:** antes de poner en marcha el quemador, controlar que el retorno se encuentre abierto. Una eventual obstrucción puede provocar desperfectos en la guarnición de la bomba.

### DATOS DE LA BOMBA

(No todas las combinaciones están disponibles. Consulte a su representante de Suntec).



### INFORMACIÓN TÉCNICA

#### Información general

|                        |  |
|------------------------|--|
| Montaje                | Brida de montaje EN 225.   |
| Roscas de conexión     | cilíndricas según normas ISO228/1  |
| Toma y retorno         | G 1/2"   |
| Salida de inyector     | G 1/4"   |
| Entrada del manómetro  | G 1/8"   |
| Entrada del vacuómetro | G 1/2"   |
| Función de la válvula  | Regulación de la presión-no corte  |
| Filtro                 | superficie útil : 45 cm<br>grado de filtración: 550 µm   |
| Eje                    | Ø 11mm de común acuerdo con standard EN 225.   |
| Tapón de derivación    | Introducido en el punto de retorno para el sistema de dos tuberías.;<br>Debe quitarse con una llave Allen de 3/16" para el sistema de una tubería. |
| Peso                   | 4 kg   |

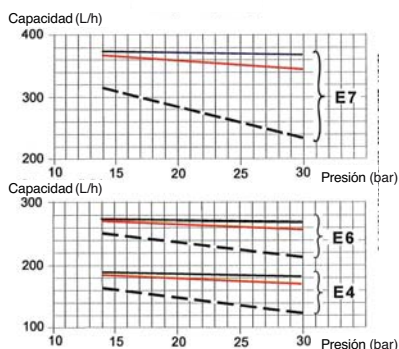
#### Información hidráulica

|   |  |
|---|--|
| Rangos de presión de inyector             | 14 - 30 bar  |
| Configuración de la presión de suministro | 20 bar   |
| Viscosidad de operación                   | 3 - 75 cSt   |
| Temperatura del aceite                    | 0 - 130°C max. en bomba  |
| Presión de entrada                        | instalaciones a gasoleo: 0,45 bar máx. de vacío para evitar la separación del aire y el gasoleo<br>instalaciones a fuel pesado: 3,5 bar máx. |
| Presión de retorno                        | instalaciones a gasoleo: 3,5 bar máx.<br>instalaciones a fuel pesado: 3,5 bar máx.   |
| Velocidad nominal                         | 3600 gpm max.  |
| Torsión (a 40 gpm)                        | 0,3 N.m  |

#### Elegido del precalentador

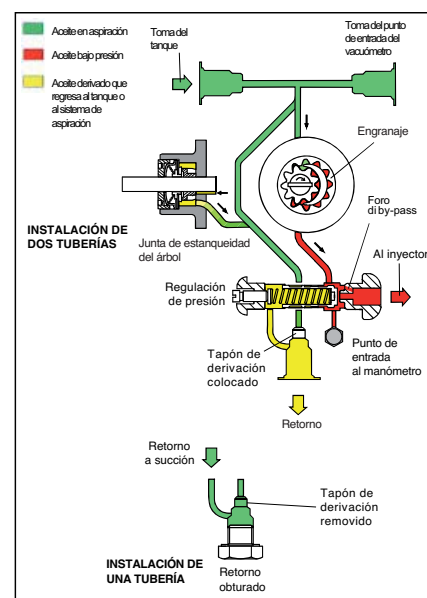
|                         |                               |
|-------------------------|-------------------------------|
| Precalentador           | Ø 12 mm                       |
| Conexión de la conexión | de común acuerdo con EN 50262 |
| Caudal                  | 50-80 W                       |

#### Capacidad de la bomba

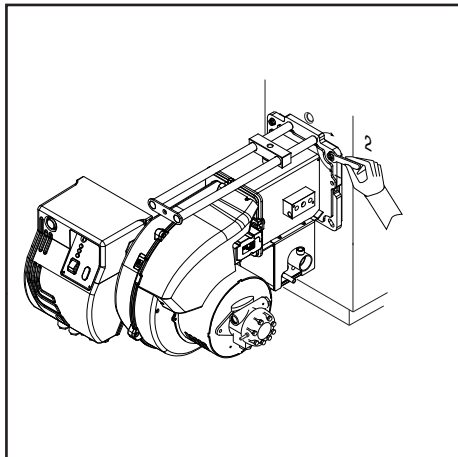
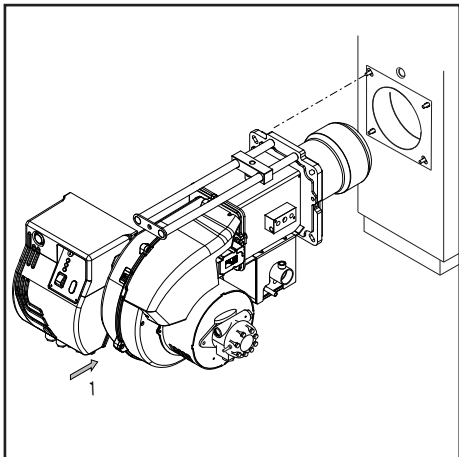


Viscosidad = ——— 200 cSt  
 - - - - - 20 cSt  
 - - - - - 5 cSt Velocidad = 2850 об./мин

Los datos mostrados tienen en cuenta un margen del desgaste. Hace no de gran tamaño la bomba al seleccionar capacidad del engranaje.



## Instalación - Montaje del quemador



### Montaje del quemador

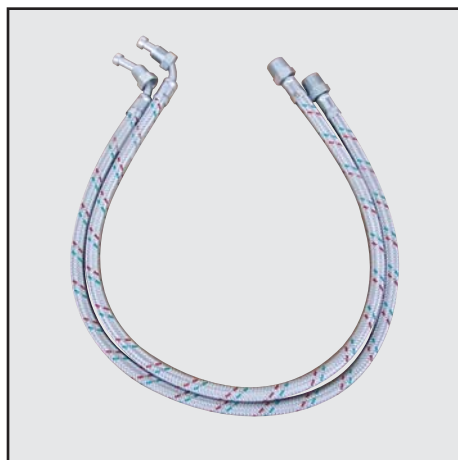
El quemador se fija a la brida de encaje y por consiguiente a la caldera, de esta forma la cámara de combustión se cierra herméticamente.

### Montaggio:

- Fijar la brida de encaje a la caldera con los tornillos.

### Smontaggio:

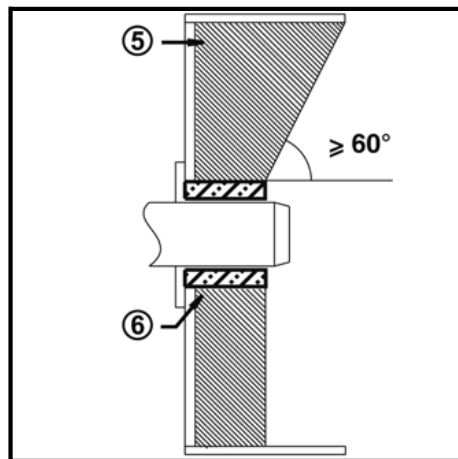
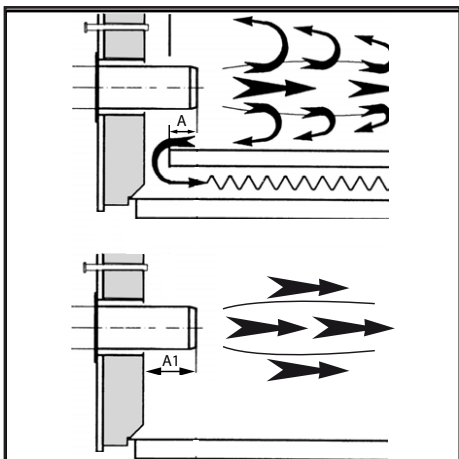
- Aflojar el tornillo.
- Extraer lentamente el quemador de caldera.



### Conexión del fuel pesado

El filtro se tiene que montar de forma que se garantice una colocación correcta del tubo flexible.

Los tubos flexibles no pueden estar doblados.



### Profundidad de montaje del tubo del quemador y guarnecido de albañilería

Para los generadores sin pared delantera enfriada y en ausencia de indicaciones contrarias del fabricante de la caldera, es necesario realizar un guarnecido de albañilería o un aislamiento (5) según la ilustración contigua.

El guarnecido de albañilería no debe sobresalir del borde delantero del tubo de llama y su concicidad no debe ser superior a 60°. El hueco de aire (6) debe rellenarse con un material de aislamiento elástico y no inflamable.

Para las calderas se debe respetar la profundidad de penetración del tubo de llama teniendo en cuenta las indicaciones del fabricante de la caldera.

Calderas con combustión inversa :

A = 50-100 mm.

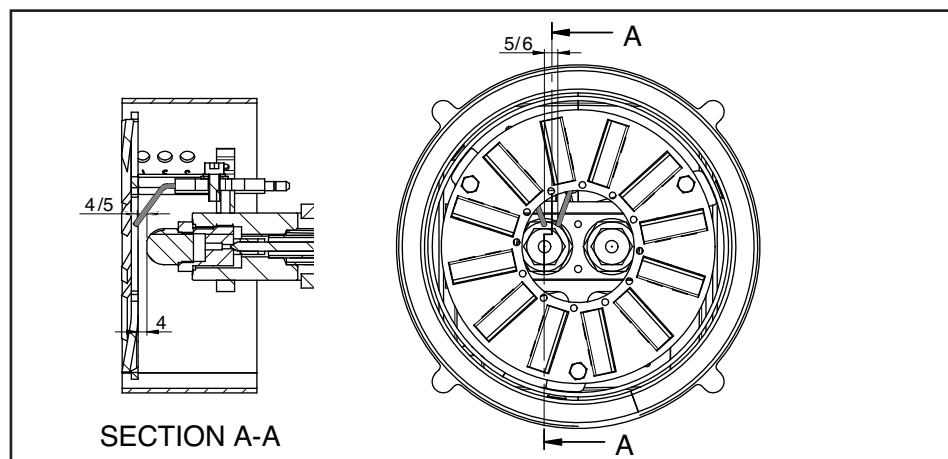
Calderas en tres pasos :

A1 = 50-100 mm.

### Conducto de humo

Con el fin de evitar posibles emisiones acústicas desagradables, se recomienda evitar las piezas de conexión con ángulos rectos durante la conexión de la caldera a la chimenea.

## Instalación - Conexión eléctrica - Comprobaciones previas a la puesta en servicio



### Posición del electrodo

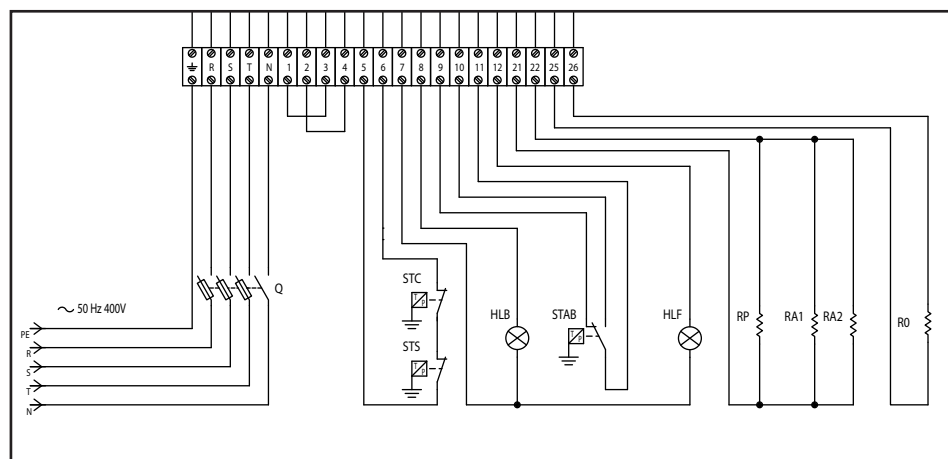
NB: Comprobar todavía la posición de los electrodos después del montaje (ver a la ilustración). Una posición errada puede originar problemas de encendido.

### Conexión eléctrica

La instalación eléctrica y los trabajos de conexión debe realizarlos exclusivamente por personal autorizado. Deben seguirse las recomendaciones y las directivas vigentes. El equipo de alimentación tiene que disponer de un interruptor diferencial de tipo A.

### Respetar obligatoriamente las disposiciones y las directivas en vigor, además del esquema eléctrico suministrado con el quemador!

• Compruebe si la tensión eléctrica de alimentación se corresponde con la tensión de funcionamiento indicada de 230 V, 50/60 Hz corriente monofásica con neutro y toma de tierra. Fusible de la caldera: 5 A



### Comprobaciones previas a la puesta en servicio

Conviene controlar los siguientes puntos antes de la puesta en servicio.

- Montaje del quemador de conformidad con las presentes instrucciones.
- Ajuste previo del quemador según las indicaciones del cuadro de ajuste.
- Ajuste de los dispositivos de combustión.
- El generador de calor debe estar listo para funcionar; deben respetarse sus recomendaciones de utilización.
- Todas las conexiones eléctricas deben realizarse correctamente.
- El generador de calor y el sistema de calefacción deben estar lo

suficientemente llenos de agua; las bombas de circulación deben funcionar.

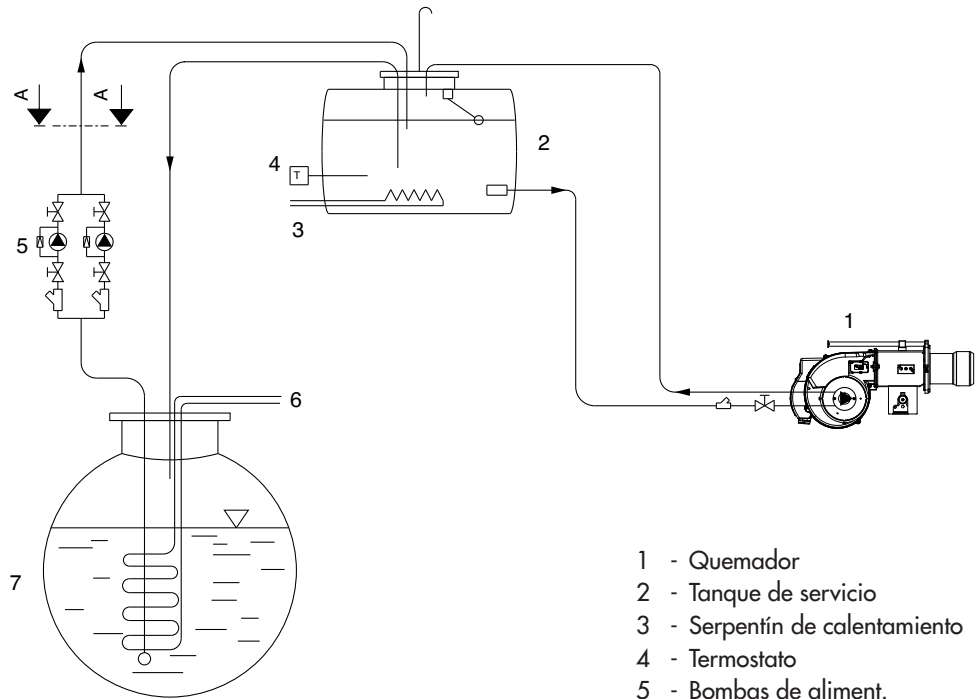
- El regulador de temperatura, el regulador de presión, la protección contra la falta de agua y el resto de dispositivos de limitación y de seguridad que puedan encontrarse presentes están conectados y operativos.
- La chimenea debe estar despejada y el dispositivo de aire adicional, si se encuentra instalado, en funcionamiento.
- Debe garantizarse un aporte suficiente de aire fresco.
- La solicitud de calor debe estar

presente.

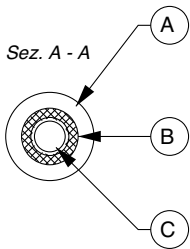
- Los depósitos de combustible deben estar llenos.
- Los conductos de combustible deben estar montados según las reglas del oficio, su estanqueidad comprobada y estar purgados.
- Debe existir un punto de medición conforme a las normas; el conducto de humos hasta el punto de medición debe ser estanco, de tal forma que los resultados de medición no se falseen.

## Instalación - Línea de alimentación del combustible

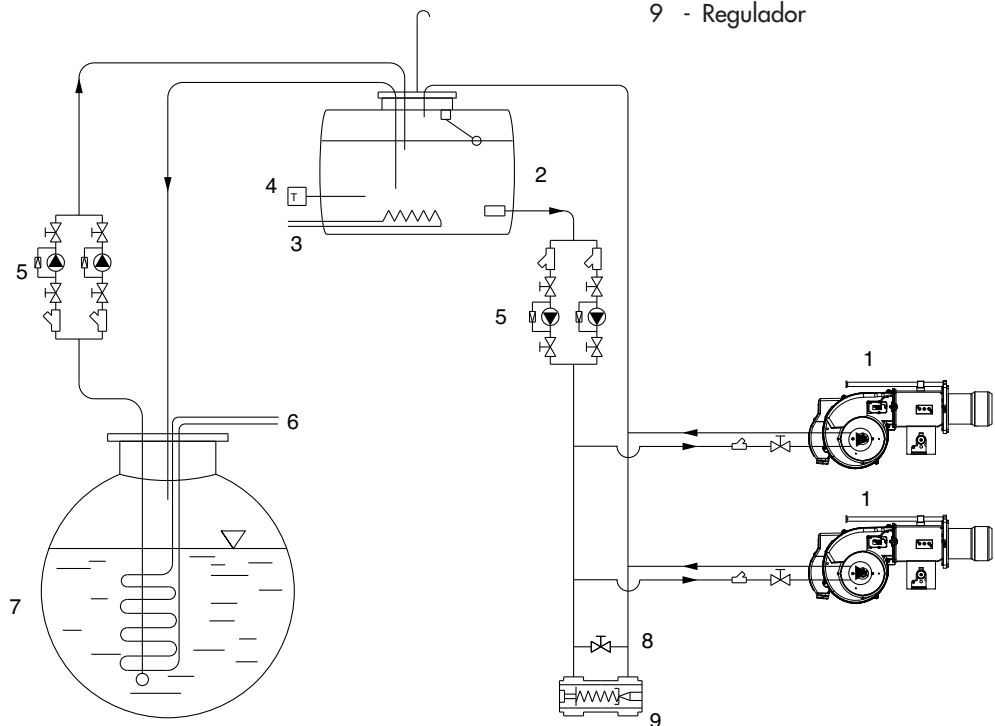
### ESQUEMA ALIMENTACIÓN FUEL PESADO HASTA A 15°E A 50°C



- 1 - Quemador
- 2 - Tanque de servicio
- 3 - Serpentin de calentamiento
- 4 - Termostato
- 5 - Bombas de aliment.
- 6 - Calentador
- 7 - Tanque principal
- 8 - By-pass
- 9 - Regulador



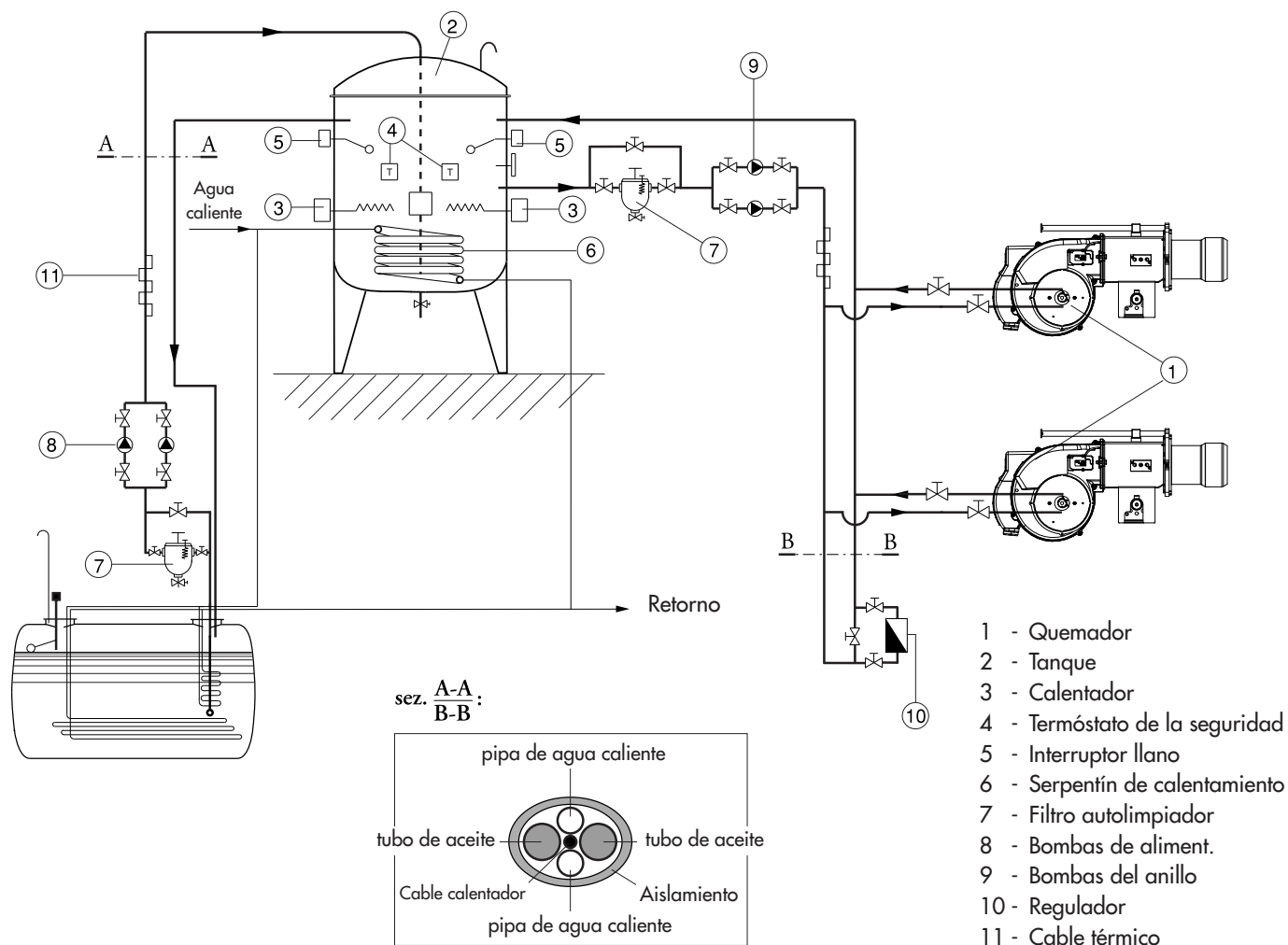
Leyenda  
A - camisa aislante  
B - Resistencia eléctrica  
C - Tubo alim. combust.



**IMPORTANTE:** Toda la tubería de alimentación es calentada (ver a la secc. A-A)

# Instalación - Línea de alimentación del combustible

## ESQUEMA ALIMENTACIÓN FUEL PESADO HASTA A 50°C A 50°C



**IMPORTANTE:** Toda la tubería de alimentación es calentada (ver a la secc. A-A)

## Puesta en servicio - Datos de ajuste - Ajuste del aire

| Maxflam 30 AB      |            |                                      |            |                            |           |                 |             |                   |                      |                                     |            |
|--------------------|------------|--------------------------------------|------------|----------------------------|-----------|-----------------|-------------|-------------------|----------------------|-------------------------------------|------------|
| caudal quemador kW |            | presión en cámara de combustión mbar |            | caudal de fuel pesado kg/h |           | inyector 60° HO |             | presión bomba bar | reglaje de la cabeza | reglaje registro aire en servomotor |            |
| 1° llama           | 2° llama   | 1° llama                             | 2° llama   | 1° llama                   | 2° llama  | 1° llama        | 2° llama    |                   |                      | 1° llama                            | 2° llama   |
| 205                | 274        | 1,6                                  | 3,3        | 18                         | 24        | 3,00            | 1,00        | 23                | 1                    | 18°                                 | 30°        |
| <b>239</b>         | <b>331</b> | <b>1,3</b>                           | <b>3,7</b> | <b>21</b>                  | <b>29</b> | <b>3,50</b>     | <b>1,50</b> | <b>23</b>         | <b>2</b>             | <b>20°</b>                          | <b>40°</b> |
| 274                | 388        | 1                                    | 4          | 24                         | 34        | 4,00            | 2,00        | 23                | 3                    | 20°                                 | 60°        |

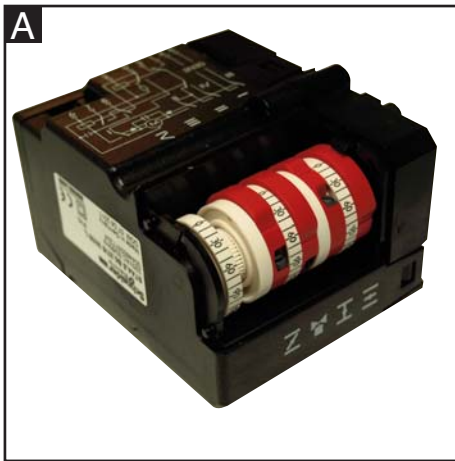
  

| Maxflam 50 AB      |            |                                      |          |                            |           |                 |             |                   |                      |                                     |            |
|--------------------|------------|--------------------------------------|----------|----------------------------|-----------|-----------------|-------------|-------------------|----------------------|-------------------------------------|------------|
| caudal quemador kW |            | presión en cámara de combustión mbar |          | caudal de fuel pesado kg/h |           | inyector 60° HO |             | presión bomba bar | reglaje de la cabeza | reglaje registro aire en servomotor |            |
| 1° llama           | 2° llama   | 1° llama                             | 2° llama | 1° llama                   | 2° llama  | 1° llama        | 2° llama    |                   |                      | 1° llama                            | 2° llama   |
| 205                | 296        | 1,5                                  | 3,5      | 18                         | 26        | 3,00            | 1,50        | 23                | 1                    | 15°                                 | 40°        |
| <b>262</b>         | <b>388</b> | <b>1,3</b>                           | <b>4</b> | <b>23</b>                  | <b>34</b> | <b>4,00</b>     | <b>2,00</b> | <b>22</b>         | <b>2</b>             | <b>20°</b>                          | <b>50°</b> |
| 308                | 479        | 1,4                                  | 4,7      | 27                         | 42        | 4,50            | 2,50        | 23                | 3                    | 20°                                 | 50°        |

Los datos de ajuste anteriores son **ajustes básicos**. En un caso normal, estos ajustes permiten la puesta en servicio del quemador. La regulación se tiene que comprobar utilizando un

anализador de combustión. Podrían ser necesarias correcciones subordinadas al propio equipo. Es posible obtener valores de combustión favorables mediante la utilización de los

inyectores siguientes:  
DANFOSS H+S 80°+60°  
DELAVAN W 60°  
STEINEN S 60°



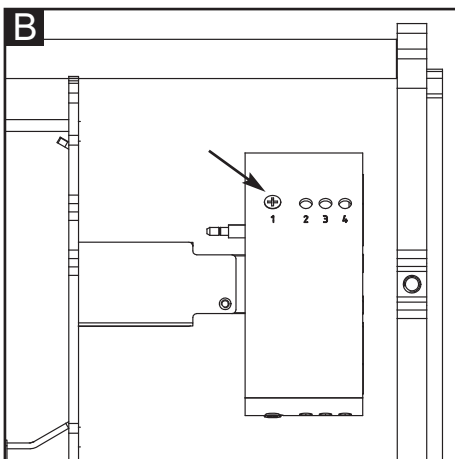
### Reglaje del aire (A).

Remover la tapa para acceder a las levas de regulación. La regulación de las levas tiene que ser efectuada con su apropiada llave de suministro. Descripción:

- I - Diente de regulación abertura del cierre del aire en 2a llama (potencia máx.).
- II - Diente de regulación de la posición del cierre al apagado (cierre) 0°.
- III - Diente del consentimiento abertura de la electroválvula de 2a llama.
- IV - Diente de regulación de la posición de abertura en 1a llama (potencia min.).

**Nota :** El diente III (de consentimiento del abertura de la electroválvula de 2a llama)

tiene que ser regulado en una posición intermedia entre la de la 1a llama y la de la 2a (bajo un ángulo cerca de 5° superior a lo de la posición de la 1a llama).



### Reglaje de la cabeza de combustión (B).

Extraer el quemador de la brida. Modificar la posición de la banda (1,2,3,4) en el cabezal girando el tornillo con un destornillador hasta alcanzar el valor deseado. Fijar la banda y volver a montar el quemador en la brida.

## Puesta en servicio - Ajuste del quemador

### - Ajuste de la presión de fuel pesado

**!** **Existe riesgo de deflagración:** controle constantemente el CO, el CO<sub>2</sub> y las emisiones de humo durante el ajuste. En caso de formación de CO, optimice los valores de combustión. El contenido de CO no debe ser superior a 50 ppm.

#### Arranque del quemador

Antes de la puesta en marcha del quemador, cargar los tubos hasta que el filtro del fuel pesado se llene. Poner en marcha el quemador accionando el termostato de la caldera. Para eliminar completamente el aire del tubo del fuel pesado, desatornillar el tornillo de purgado en el filtro del fuel pesado durante la fase de preventilación. Al hacerlo, no se debe alcanzar una depresión 0,4 bar. Cuando el filtro esté completamente lleno de fuel pesado y empiece a salir el fuel pesado sin burbujas de aire, vuelva a cerrar el tornillo de purga.

#### Regulación de la potencia del quemador

Regular la presión del fuel pesado de forma que el quemador suministre la potencia deseada, accionando el regulador de presión. Controlar siempre los valores de la combustión (CO, CO<sub>2</sub>, índice de humo). En caso necesario, modificar el caudal de aire, eventualmente de forma progresiva.

#### Optimizar los valores de combustión

Si los valores de combustión no son satisfactorios, modificar la posición del cabezal de combustión. De esta forma se modifica el comportamiento de puesta en marcha y los valores de la combustión. Si es necesario, compense la variación de caudal de aire adaptando la posición de la válvula de aire.

**Atención: en caso de instalación sobre caldera, respetar la temperatura mínima de los gases de combustión**

**según las indicaciones del fabricante de la caldera y según los requisitos del sistema de escape de dichos gases, para evitar la formación de condensación.**

#### Regulación presión del fuel pesado

Para regular la presión del fuel pesado (y por lo tanto la potencia del quemador) accionar el regulador de presión **5** en la bomba.

Girar hacia:

- derecha: aumento de la presión;
- izquierda: reducción de la presión.

Para el control es necesario conectar un manómetro a la conexión, manómetro **3**, roscado R1/8".

#### Control depresión

El vacuómetro para el control de la depresión tiene que estar conectado al racor **4**, R1/8". Depresión máxima permitida: 0,4 bar. Con una depresión superior, el fuel pesado de calentamiento se gasifica provocando un ruido estridente y desperfectos en la bomba.

#### Regulación de los termostatos fuel pesado

El termostato de trabajo de las resistencias tiene que ser regulado a 100-140 °C y el termostato de seguridad es pre-calibrado. Estas regulaciones pueden ser ligeramente modificadas según el tipo de combustible y para instalaciones especiales.

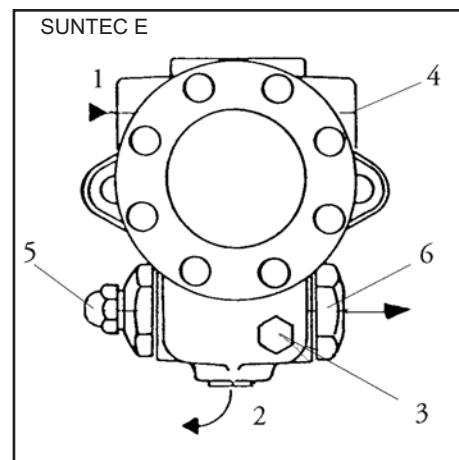
- A - Termostato de trabajo (100-140 °C).
- B - Termostato de parada (150 °C).

- C - Termostato cabeza de combustión (120-140 °C).

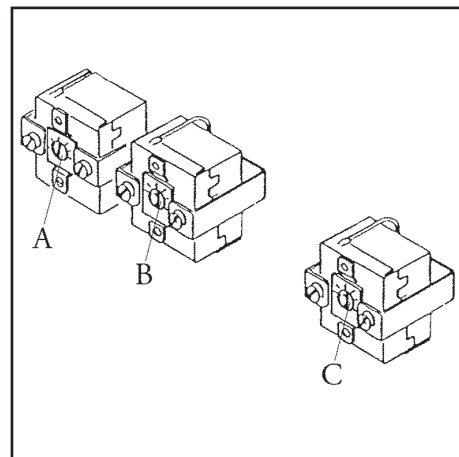
#### Control de funcionamiento

Es necesario realizar un control de la seguridad de la vigilancia de la llama tanto durante la primera puesta en servicio como después de las revisiones o tras una parada prolongada de la instalación.

- Intento de arranque con la célula de detección de llama ocultada: al término del tiempo de seguridad, el cajetín de control y de seguridad debe moverse anomalía.
- Arranque con la célula de detección de llama iluminada: tras una preventilación de 5 segundos, el cajetín de control y de seguridad debe moverse anomalía.
- Puesta en marcha normal; si el quemador funciona, oculte la célula de detección de llama: tras un nuevo arranque y una vez transcurrido el tiempo de seguridad, el cajetín de control y de seguridad debe moverse anomalía.



- 1 conexión de aspiración.
- 2 conexión de retorno.
- 3 conexión manómetro.
- 4 conexión vacuómetro.
- 5 ajuste de la presión de fuel pesado.
- 6 conexión presión.



#### Registro de los datos de puesta en funcionamiento

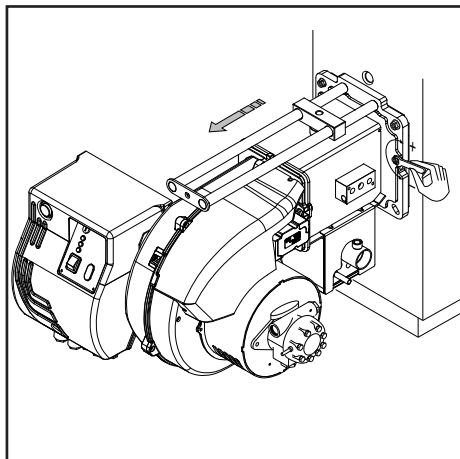
| Test                             | n°1 | n°2 |
|----------------------------------|-----|-----|
| Fecha                            |     |     |
| Model                            |     |     |
| Tipo de fuel pesado              |     |     |
| Valor calorífico del fuel pesado |     |     |
| Potencia del quemador            | min | kW  |
| Potencia del quemador            | max | kW  |
| Temperatura de los humos         |     | C°  |
| Temperatura del aire             |     | C°  |
| CO <sub>2</sub>                  |     | %   |
| CO                               |     | ppm |
| NOx                              |     | ppm |
| Rendimiento                      |     | %   |
| Acción correctiva                |     |     |
| Nombre del operador              |     |     |
| Empresa                          |     |     |

## Mantenimiento - Conservación

Las operaciones de mantenimiento de la caldera debe llevarlas a cabo un técnico especialista en calefacción. Para garantizar la realización anual de los trabajos de mantenimiento, se recomienda firmar un contrato de mantenimiento.

### Atención

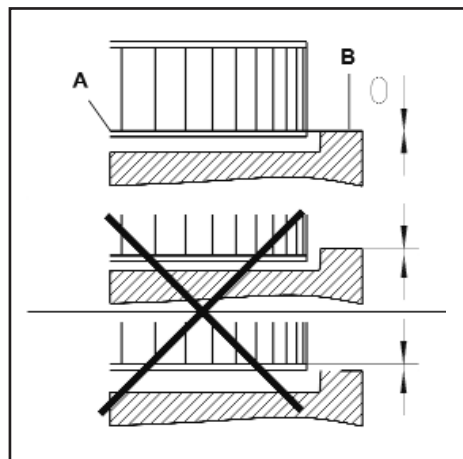
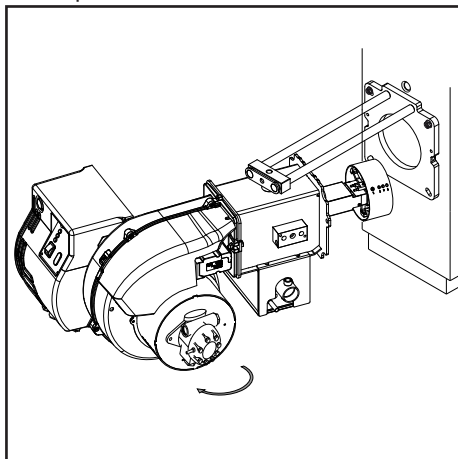
- Antes de realizar cualquier intervención de mantenimiento y limpieza, cortar el suministro eléctrico.
- La tobera y los componentes del



cabezal pueden estar calientes.

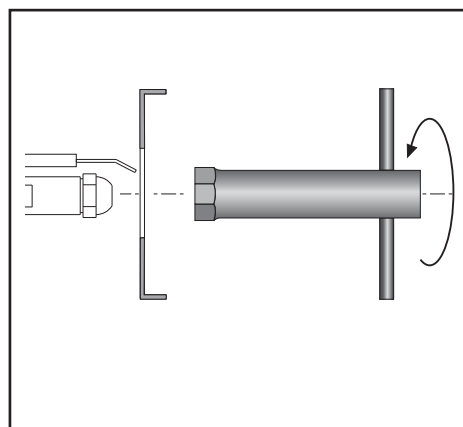
### Control de las temperaturas de los gases de combustión

- Compruebe con regularidad la temperatura de los gases de combustión.
- Limpie la caldera cuando la temperatura de los gases de combustión supere el valor de puesta en servicio en más de 30 °C.
- Utilice un indicador de temperatura de los gases de combustión para facilitar la comprobación.



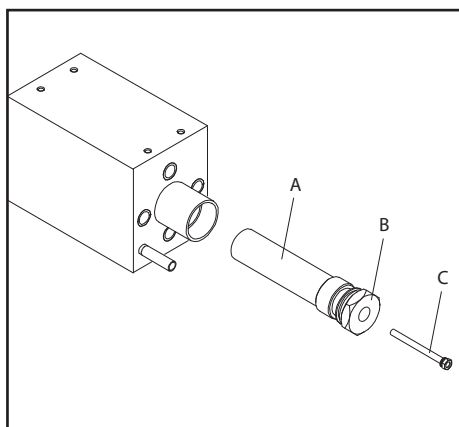
### Montaje de la turbina

Durante el cambio de ventola o motor, remitir al esquema de posicionamiento. El disco interno A de la turbina debe ser alineado con la placa B. Introduzca una regleta entre los álabes de la turbina y sitúe A y B a la misma altura, apretar el tornillo con ranura en el ventilador.



### Limpieza y sustitución del inyector

Utilizar solamente la llave de suministro para desmontar el inyector, teniendo cuidado de no estropear los electrodos. Montar el nuevo inyector con el mismo



cuidado.

**NB:** Comprobar todavía la posición de los electrodos después del montaje (ver a la ilustración). Una posición errada puede originar problemas de encendido.

### Posiciones de mantenimiento del quemador

- Después de aflojar los tornillos de fijación a la brida del quemador, se puede extraer este último y girarlo para situarlo en la posición de mantenimiento para: sustitución del inyector sustitución/regulación electrodos limpieza/sustitución del disco reglaje de la cabeza de combustión

### Posiciones de mantenimiento

- Limpiar la turbina y el cárter y comprobar que no estén deteriorados.
- Comprobar y limpiar la cabeza de combustión.
- Sustituir el inyector.
- Comprobar los electrodos de encendido, ajustarlos o sustituirlos si es necesario.
- Volver a montar la cabeza de combustión. Comprobar los ajustes.
- Montar de nuevo el quemador.
- Poner en marcha el quemador, comprobar la combustión y corregir los ajustes del quemador si es necesario.
- Todos los componentes de alimentación de combustible (mangueras, bomba, tubo de unión con la línea de boquilla de inyección) y sus acoplamientos respectivos deben ser comprobados (estanqueidad, desgaste) y cambiados si es preciso.
- Comprobar las conexiones eléctricas y los cables y sustituirlos en caso necesario.
- Comprobar el filtro de la bomba y limpiarlo si es preciso.

### Limpieza del filtro precalentador

Estracción del filtro:

- 1 Apagar el quemador.
- 2 Extraer la bombilla del termómetro fuel pesado C.
- 3 Aflojar el tornillo B y descargar una parte del aceite contenido en el tanque calentador para que el nivel del líquido descienda más bajo de lo del filtro.
- 4 Destornillar y sacar de su sede el mango del filtro A.
- 5 Después de haber limpiado el filtro, remontar sus piezas como indicado por la ilustración y reintroducirlo en su propia sede. Es una buena norma reemplazar todas las juntas del filtro cada vez que se desmontan los mismos.

**Note: Se recuerda que cada vez que el quemador es en marcha, en el calentador hay una presión cerca de 23 bar y que es muy peligroso efectuar dichas operaciones cuando el quemador está en función.**

## Mantenimiento - Posibles inconvenientes

### Causas y resolución de anomalía

En caso de anomalía se deben comprobar las condiciones de funcionamiento normal:

1. Hay corriente eléctrica?
2. Hay fuel pesado en la cisterna?
3. Están abiertas todas las válvulas de cierre?
4. Todos los aparatos de regulación y de seguridad, como por ejemplo el termostato de la caldera, el dispositivo de protección contra la falta de agua, el interruptor de fin de carrera, etc. están regulados?

En el caso de que, después de comprobar los puntos arriba, la anomalía persiste, consulte la tabla siguiente.

Los componentes de seguridad no debe ser reparado, pero se debe reemplazados por componentes de la muestra el mismo número de artículo.

### Utilice exclusivamente piezas.

### NB: Después de cualquier intervención:

- bajo condiciones de funcionamiento normales (las puertas se cerraron, capilla cabida, etc.), la combustión del cheque y comprueba las líneas individuales para saber si hay escapes.
- Registre los resultados en los documentos relevantes.

**Cuadro de códigos de error**

| Código de destellos rojos de la señal luminosa (LED) | «AL» en el term. n°10 | Posible causa  |
|--|-----------------------|--|
| 2 destellos  | encendido             | No se fijó la llama al finalizar el «TSA» - Válvulas de combustible defectuosas o sucias - Detector de llama defectuoso o sucio - Mal ajuste de quemador, sin combustible - Equipo de encendido defectuoso |
| 3 destellos  | encendido             | Libre  |
| 4 destellos  | encendido             | Luz extraña en el arranque del quemador  |
| 5 destellos  | encendido             | Libre  |
| 6 destellos  | encendido             | Libre  |
| 7 destellos  | encendido             | Excesiva pérdida de llama durante la operación (limitación del número de repeticiones).- Válvulas de combustible defectuosas o sucias. - Detector de llama defectuoso o sucio. - Mal ajuste del quemador.  |
| 8 destellos  | encendido             | Tiempo de supervisión del precalentador de aceite.<br>- El precalentador de aceite falló cinco veces durante la operación de prepurga.   |
| 9 destellos  | encendido             | Libre  |
| 10 destellos   | apagado<br>encendido  | Falla en el cableado o falla interna, contactos de salida, otros defectos.<br>3 veces: falla temporal de los contactos de salida.  |

## Содержание общего характера - Содержание - Предупреждения общего характера

|                             |   |       |
|-----------------------------|---|-------|
| Обзор                       | Сертификат соответствия                             | 3     |
|                             | Технические характеристики                          | 4     |
|                             | Рабочий диапазон                                    | 5     |
|                             | Размеры   | 6     |
| Содержание общего характера | Содержание  | 59    |
|                             | Предупреждения общего характера                     | 59    |
|                             | Описание горелки                                    | 60    |
| Функция                     | Общие функции безопасности                          | 61    |
|                             | Блок управления и безопасности Siemens LMO44        | 62    |
|                             | Насос горелки                                       | 63    |
| Установка                   | Установка горелки                                   | 64    |
|                             | Электрическое соединение                            | 65    |
|                             | Необходимые проверки перед пуском в эксплуатацию    | 65    |
|                             | Линия питания горючего                              | 66    |
| Ввод в эксплуатацию         | Параметры конфигурации - Регулировка подачи воздуха | 68    |
|                             | Регулировка горелки                                 | 69    |
|                             | Регулировка давления дизельного топлива             | 69    |
|                             | Регистрация данных о вводе в эксплуатацию           | 69    |
| Техническое обслуживание    | Работы по техническому обслуживанию                 | 70    |
|                             | Возможные неполадки                                 | 71    |
| Обзор                       | Электрические схемы                                 | 72-74 |
|                             | Запчасти  | 75-77 |

### Основные указания

Горелки производства Ecoflam были разработаны и изготовлены в соответствии с действующими нормативами и директивами.



**Все горелки соответствуют стандартам безопасности и энергосбережения в пределах заявленного рабочего поля.**



**Запрещается эксплуатация горелки за пределами рабочего диапазона.**

Качество продукции гарантировано системой сертификации в соответствии с нормой ISO 9001:2008

Горелки MAXFLAM предназначены для сжигания мазута.



**Горелки соответствуют норме EN 267. Монтаж, пуск в эксплуатацию и техническое обслуживание должны производиться только квалифицированными техническими специалистами с соблюдением всех действующих директив и предписаний.**

### Описание горелки

Двухступенчатая горелка MAXFLAM работает полностью в автоматическом режиме при запуске моноблока. Форма головки горения позволяет получить низкий уровень выделения NOx и продуктов горения, максимально повышая таким образом КПД теплогенератора. Выделения могут отличаться от значений, полученных в испытательной лаборатории, так как

значительно зависят от типа теплогенератора, в котором устанавливается горелка. Монтаж должен отвечать требованиям действующих нормативов. Например, необходимо избегать помещений с опасной атмосферой или без вентиляции.

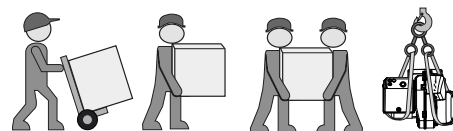
### Упаковка и перемещение

Перемещение горелки в упаковке следует осуществлять на тележке или на подъемнике, проявляя особую осторожность, чтобы не допустить ее падения, в связи с чем горелка должна находиться на расстоянии не более 20 см от земли. После удаления упаковки проконтролируйте целостность содержимого, а также соответствие оформленному заказу. В случае сомнений свяжитесь с производителем.



**Установка горелки должна осуществляться квалифицированным персоналом.**

Если размер и вес не позволяют поднять изделие вручную одному человеку, привлечите к выполнению этой операции еще одного работника или воспользуйтесь грузоподъемным



механизмом. Если на горелке не предусмотрены рым-болты, зачальте ее с помощью строп.



Используйте принадлежности, входящие в комплект поставки (фланец, уплотнение, болты и гайки). При установке горелки на котел проявляйте осторожность, чтобы не повредить изолирующую прокладку.

### Гарантия не распространяется на возмещение ущерба, вызванного следующими причинами:

- ненадлежащее использование
- неправильная установка, установка, выполненная покупателем или третьими лицами, использование неоригинальных элементов.

### Передача установки пользователю и рекомендации по эксплуатации

Установщик обязан не позднее момента передачи установки пользователю передать ему инструкции по эксплуатации и техническому обслуживанию установки. Они должны храниться в котельной на видном месте. В них должен быть указан номер телефона и адрес ближайшего центра технического обслуживания.

### Рекомендации пользователю

Не менее одного раза в год оборудование должно проверяться квалифицированным специалистом. Для обеспечения регулярных проверок рекомендуется заключить договор на проведение технического обслуживания.

## Содержание общего характера - Описание горелки

### MAXFLAM 30 АВ ТС 230-400-50

#### НАЗВАНИЕ

MAXFLAM мазут

#### МОДЕЛЬ (газ: kW; Газойль: kg/h)

MAXFLAM 30 36 kg/h - 410 kW

#### Тип операции

- 1 этапе  
 АВ 2 этапе

#### Головка типа

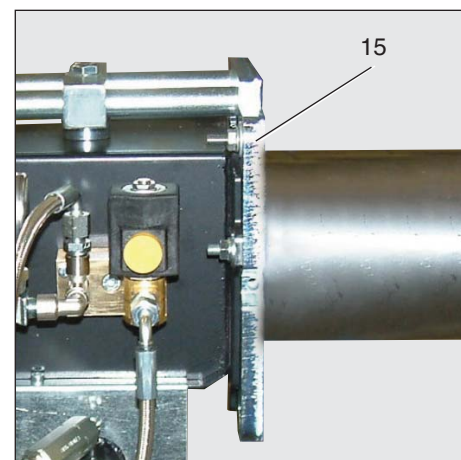
ТС КОРОТКАЯ ОГНЕВАЯ ГОЛОВКА  
 TL ДЛИННАЯ ОГНЕВАЯ ГОЛОВКА

#### ТОПЛИВО

Мазут

#### ИСТОЧНИК ПИТАНИЯ

230-400-50 230-400 Volt, 50 Hz



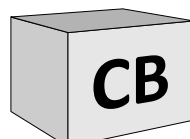
- A1 Siemens LMO44 Блок управления и безопасности
- M1 Электродвигатель вентилятора и насос
- T1 Устройство розжига
- 5 Винт крепления панели
- 9 Электрический щит
- 15 Фланец горелки
- 16 спусковой кнопки
- 102 насос
- 103B регулировка воздуха
- 113 ВОЗДУХОЗАБОР

#### Упаковка

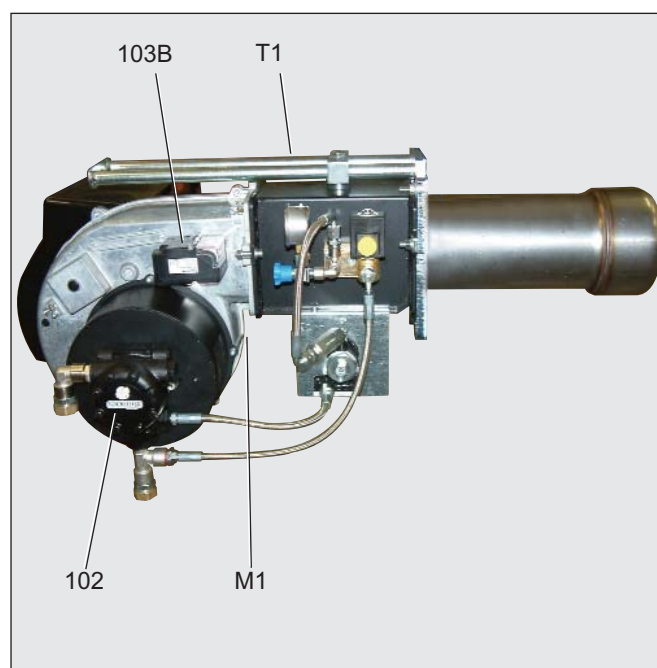
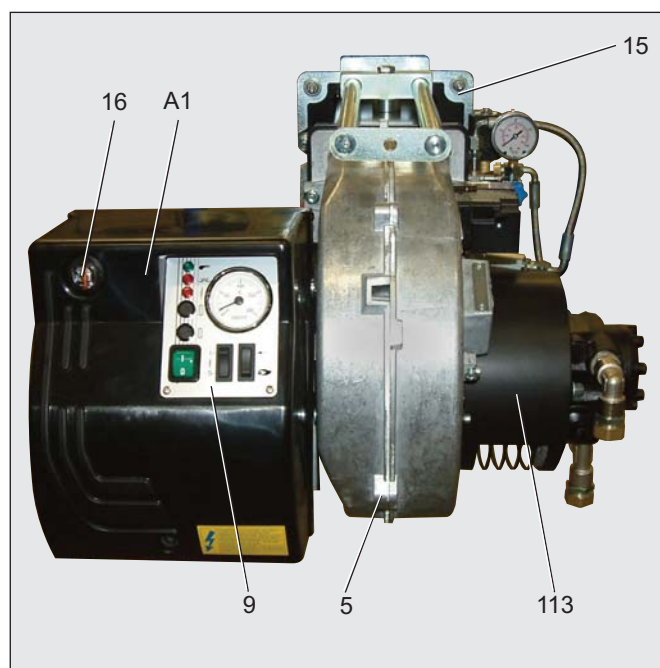
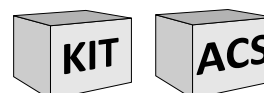
CB : ГОРЕЛКА В КОМПЛЕКТЕ

- 1 пакет

- многоязычное техническое руководство.
- фильтр и гибкие шланги.
- штепсель wieland.
- форсунка и ключ для форсунки.
- винты, гайки и шайбы.



KIT & ACS заказываемые и поставляемые отдельно



## Функция - Общие функции безопасности

### Работа

- Подать напряжение горелку.  
По достижении температуры, заданной рабочим термостатом, и при наличии сигнала от котла, блок управления запускает двигатель вентилятора, топливный насос и трансформатор розжига.  
Одновременно включаются нагревательные элементы. ТЭНы служат для поддержания постоянной температуры в баке горелки.  
- Начинает работать электродвигатель, включается система розжига и начинается период предварительной вентиляции (25 секунд).  
- Во время предварительной вентиляции, топочная камера отслеживается на предмет обнаружения возможного наличия пламени.  
- По окончании предварительной вентиляции открываются электроклапаны мазут и происходит запуск горелки.

- Во время работы горелки система розжига отключена.

### Отключение регуляции

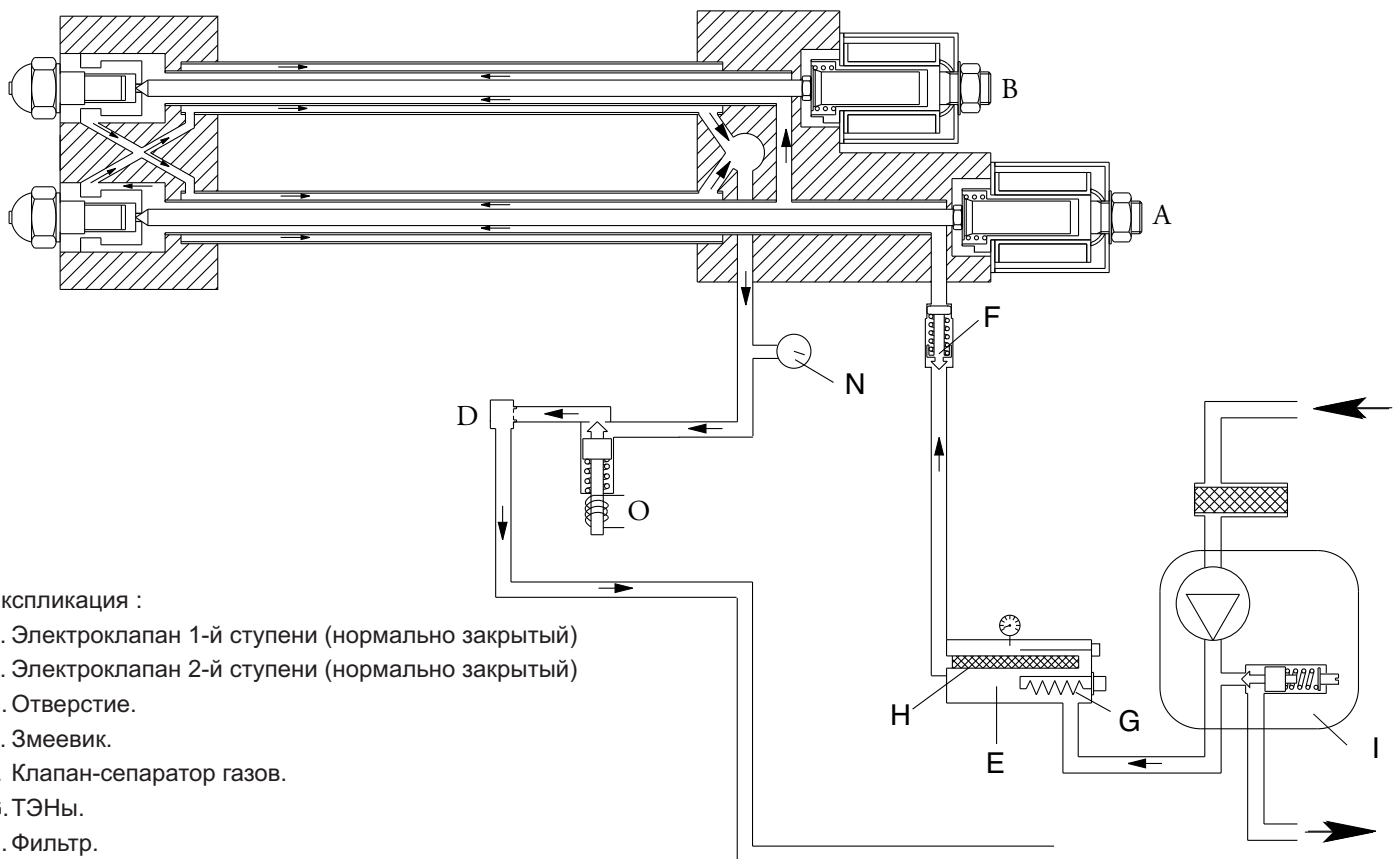
- Регулятор котла прерывает запрос на тепло.  
- Электромагнитные топливные клапаны закрываются и пламя гаснет.  
- Электродвигатель горелки останавливается.  
- Горелка готова к работе.

### Режим безопасности

Переход в режим безопасности происходит:

- если во время предварительной вентиляции появляется сигнал обнаружения пламени (паразитное пламя);  
- если при розжиге (открытие клапана) по истечении 5 секунд не появляется сигнал обнаружения пламени (время безопасности);  
- если, в случае случайного угасания

пламени и после попытки повторного розжига, пламя не появляется. Переход в режим безопасности сопровождается включением сигнальной лампы неисправности. После устранения причины неисправности разблокировка горелки выполняется нажатием на кнопку разблокировки. Более детальная информация приведена в описании блока управления и безопасности.

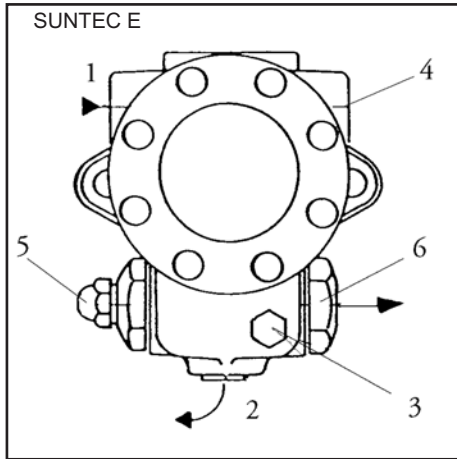


Экспликация :

- A. Электроклапан 1-й ступени (нормально закрытый)
- B. Электроклапан 2-й ступени (нормально закрытый)
- D. Отверстие.
- E. Змеевик.
- F. Клапан-сепаратор газов.
- G. ТЭНы.
- H. Фильтр.
- I. Топливный насос.
- N. Манометр.
- O. Электроклапан (нормально открытый).
- N.C. = нормально закрытый
- N.O. = нормально открытый



## Функция - Насос горелки



- 1 Всасывающий штуцер.
- 2 Нагнетательный штуцер.
- 3 Точка подключения манометра (давление топлива).
- 4 Точка подключения манометра (разрежение).
- 5 Регулирование давления дизельного топлива.
- 6 Штуцер давления.

Насос, используемый в горелке мазут – это насос шестерённый самовсасывающий насос, который должен быть соединён с однотрубной системой; в систему труб аспирации вставить фильтр. В насос встроены фильтр аспирации и регулятор давления мазут. Перед вводом в эксплуатацию аппарата

подключить манометры для измерения давления и разрежения.

**Примечание:** Перед запуском горелки проверить, чтобы обратный клапан был открыт. Любое препятствие может вызвать повреждения прокладки насоса.

### TECHNICAL DATA

#### Общие сведения

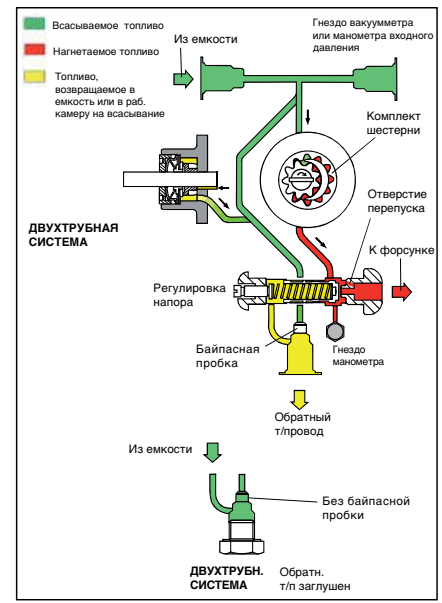
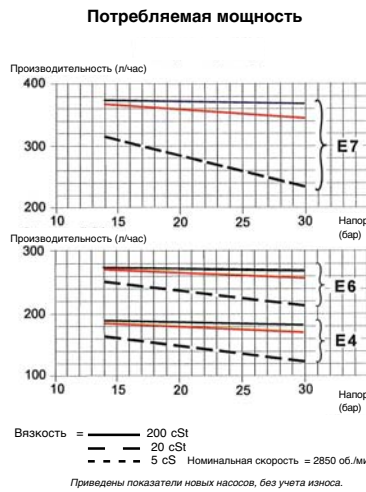
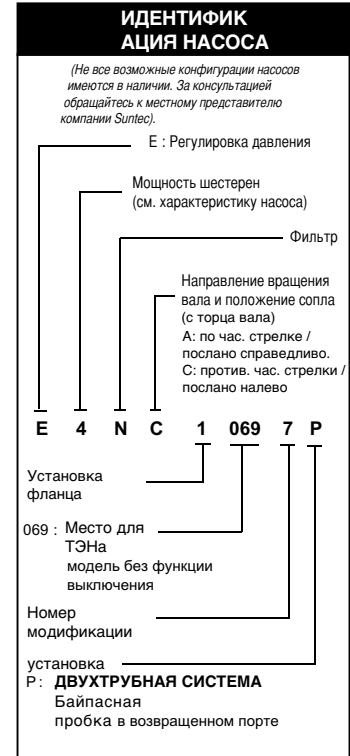
|                             |   |
|-----------------------------|---|
| Вид крепления               | Фланцевое   |
| Резьба соединений           | Цилиндрическая, согл. ISO228/1  |
| Входной и обратный т/провод | G 1/2"  |
| Т/провод к форсунке         | G 1/4"  |
| Гнездо манометра            | G 1/8"  |
| Гнездо вакуумметра          | G 1/2"  |
| Функция клапана             | Давление регулируя без выключения   |
| Фильтр                      | поверхностный профит : 45 cm2<br>фильтрация степень : 550 µm  |
| Вал                         | Ø 11 mm   |
| Байпасная пробка            | введено в возвращенное отверстие<br>В 2х-трубной системе;<br>В 1-трубной системе: демонтировать<br>6-гранным ключом разм. 3/16" |
| Вес                         | 4 кг  |

#### Гидравлические характеристики

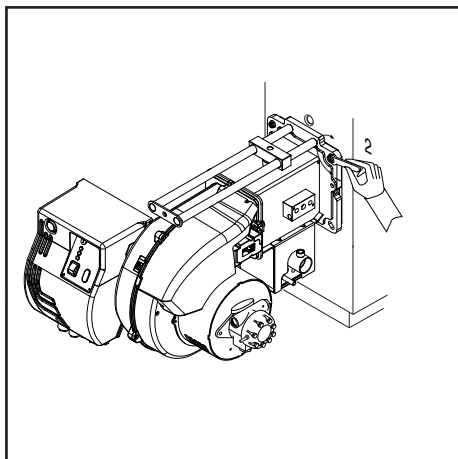
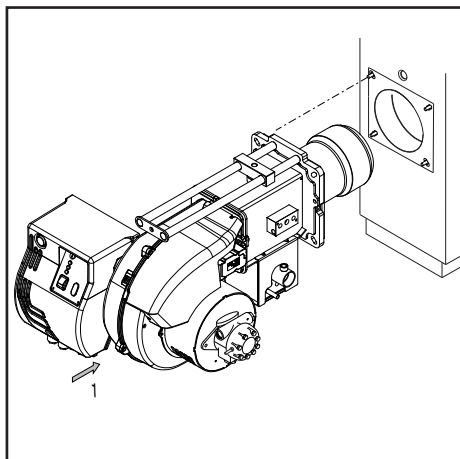
|                                |   |
|--------------------------------|---|
| Диапазон давления в форсунке   | 14 - 30 бар   |
| Заводская регулировка давления | 20 бар  |
| Рабочая вязкость               | 3 - 75 cSt  |
| Температура дизтоплива         | 0 - 130°C max. in the pump  |
| Давление на входе              | Дизтопливо : разрежение не более 0,45 бар<br>во избежание отделения воздуха<br>Мазут: не более 3,5 бар. |
| Давление в обратн. т/п         | Дизтопливо: не более 3,5 бар<br>Мазут: не более 3,5 бар   |
| Номинальная скорость двигателя | не более 3600 об./мин   |
| Крутящий момент                | 0,3 N.m   |

#### ТЭН

|                      |                   |
|----------------------|-------------------|
| Кожух                | Ø 12 mm           |
| Крепление            | согласно EN 50262 |
| Номинальная мощность | 50-80 W           |



## Установка - Установка горелки



### Монтаж горелки

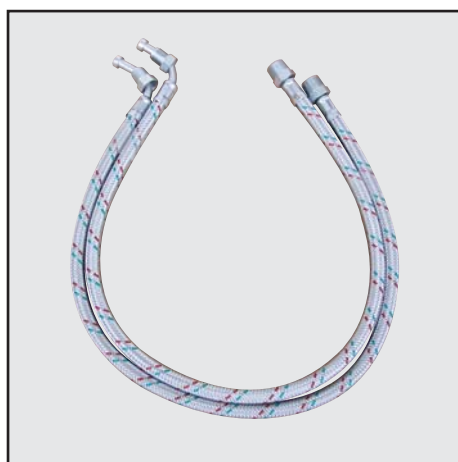
Горелка крепится к фланцу подключения и, следовательно, к котлу, таким образом, камера сгорания будет закрыта герметически.

### Монтаж :

- Закрепить фланец креплением к котлу винтами.

### Демонтаж :

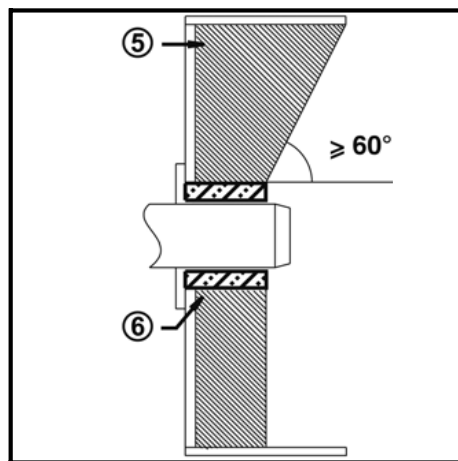
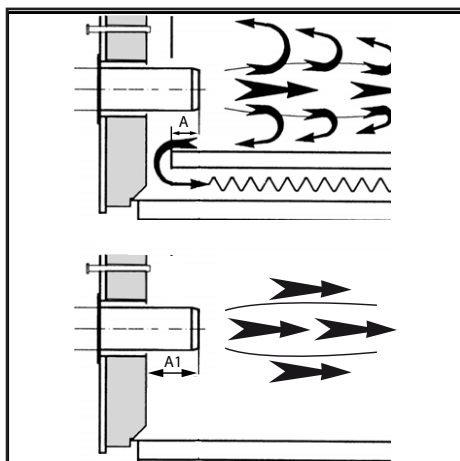
- Ослабить винт.
- Медленно извлеките горелку из котла.



### Подключение топливопровода

Этот фильтр должен устанавливаться так, чтобы обеспечивалась правильная прокладка шлангов.

Шланги не должны пережиматься.



### Глубина установки сопла горелки и огнеупорное уплотнение

Для котлов без охлаждения передней стенки и при отсутствии других указаний со стороны производителя котла, необходимо выполнить огнеупорную вставку или теплоизоляцию (5), как показано на рисунке слева.

Огнеупорная вставка не должна заходить за передний край сопла горелки, а угол ее конического скоса не должен превышать 60°. Воздушный промежуток (6) должен быть заполнен эластичным и невоспламеняемым теплоизоляционным материалом.

Для котлов при выборе глубины сопла горелки необходимо руководствоваться указаниями производителя котла.

Колонки с обратным пламенем:

A = 50-100 мм.

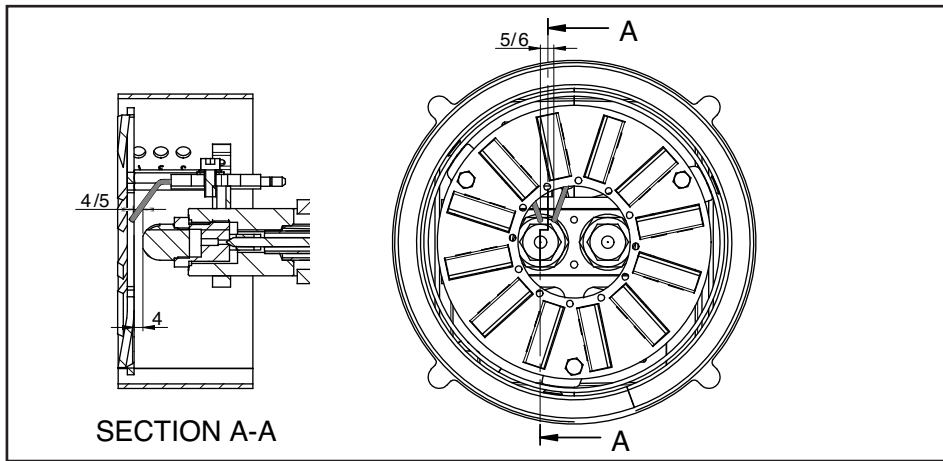
Колонки с тройной дымовой спиралью:

A1 = 50-100 мм.

### Система отвода продуктов горения

Для предотвращения неприятного шума не рекомендуется применять для соединения котла с дымоходом соединительные детали с проходным каналом, изогнутым под прямым углом.

## Установка - Подключение к электросети - Необходимые проверки перед пуском в эксплуатацию



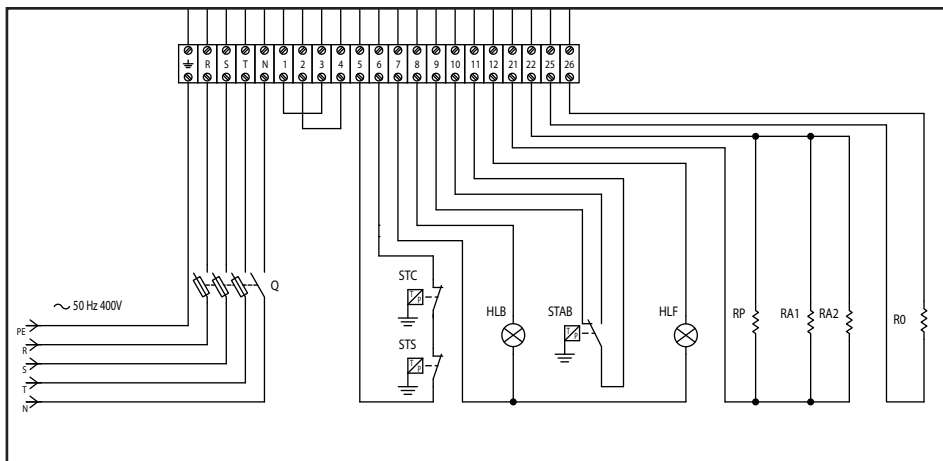
### Положение электродов

После замены форсунки обязательно проверьте положение электродов (см. рис.). Неправильное положение электродов может затруднить розжиг горелки.

### Электроподключение

Электропроводка и все работы по подключению к сети должны выполняться только квалифицированным электриком. Должны выполняться действующие предписания и директивы. Установка электропитания должна быть оснащена дифференциальным выключателем типа А. **Строго соблюдать действующие предписания и директивы, помимо электросхемы, поставляемой с горелкой!**

- Убедитесь, что напряжение электропитания соответствует указанному рабочему напряжению.
- Защита горелки: 5 А



### Проверки перед пуском в эксплуатацию

Перед первым запуском следует проверить следующее:

- Убедитесь, что горелка установлена согласно настоящей инструкции.
- Предварительная регулировка горелки выполнена правильно, согласно указанным в таблице регулировок значениям.
- Настройка органов горения
- Теплогенератор должен быть готов к работе согласно инструкции по его использованию.
- Все электрические соединения выполнены правильно.
- Теплогенератор и система отопления

заполнены достаточным количеством воды. Циркуляционные насосы действуют.

- Регуляторы температуры и давления, устройство защиты от недостатка воды, а также другие предохранительные и защитные устройства, используемые на установке, правильно подсоединены и действуют.
- Вытяжная труба должна быть прочищена.

Устройство для подачи дополнительного воздуха, если оно установлено, в рабочем состоянии.

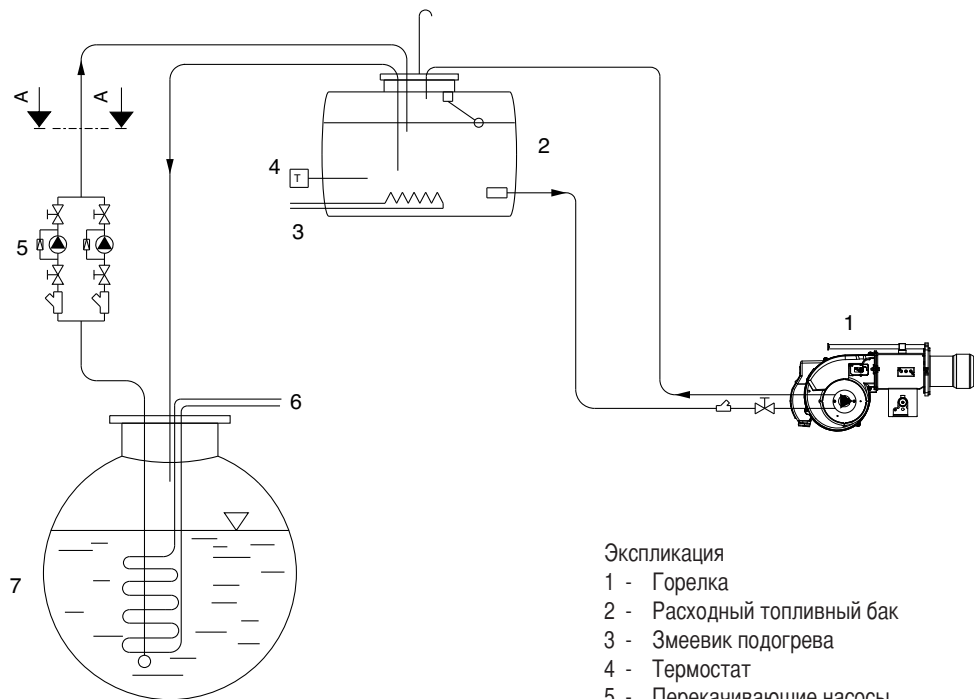
- Гарантирована подача свежего

воздуха.

- Получен запрос на тепло.
- Баки заполнены топливом.
- Топливопроводы установлены согласно техническим нормам, прочищены и проверена их герметичность.
- Согласно существующим нормам на вытяжной трубе должна находиться точка измерения. До этого места труба должна быть герметичной для того, чтобы подсос наружного воздуха не повлиял на результаты измерений.

# Установка - Линия питания горючего

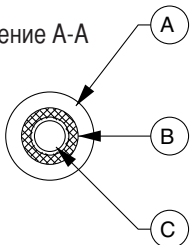
Схема подачи мазута с вязкостью не более 15°Е при 50°С



Экспликация

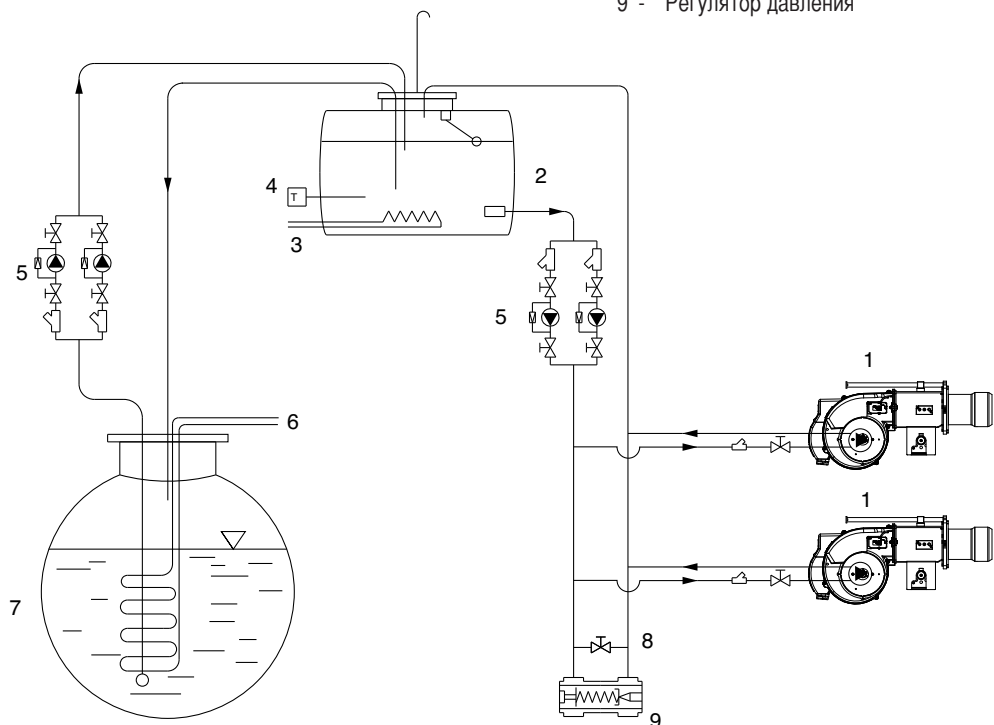
- 1 - Горелка
- 2 - Расходный топливный бак
- 3 - Змеевик подогрева
- 4 - Термостат
- 5 - Перекачивающие насосы
- 6 - Змеевик подогрева
- 7 - Топливный бак
- 8 - Байпас
- 9 - Регулятор давления

Сечение А-А



Экспликация

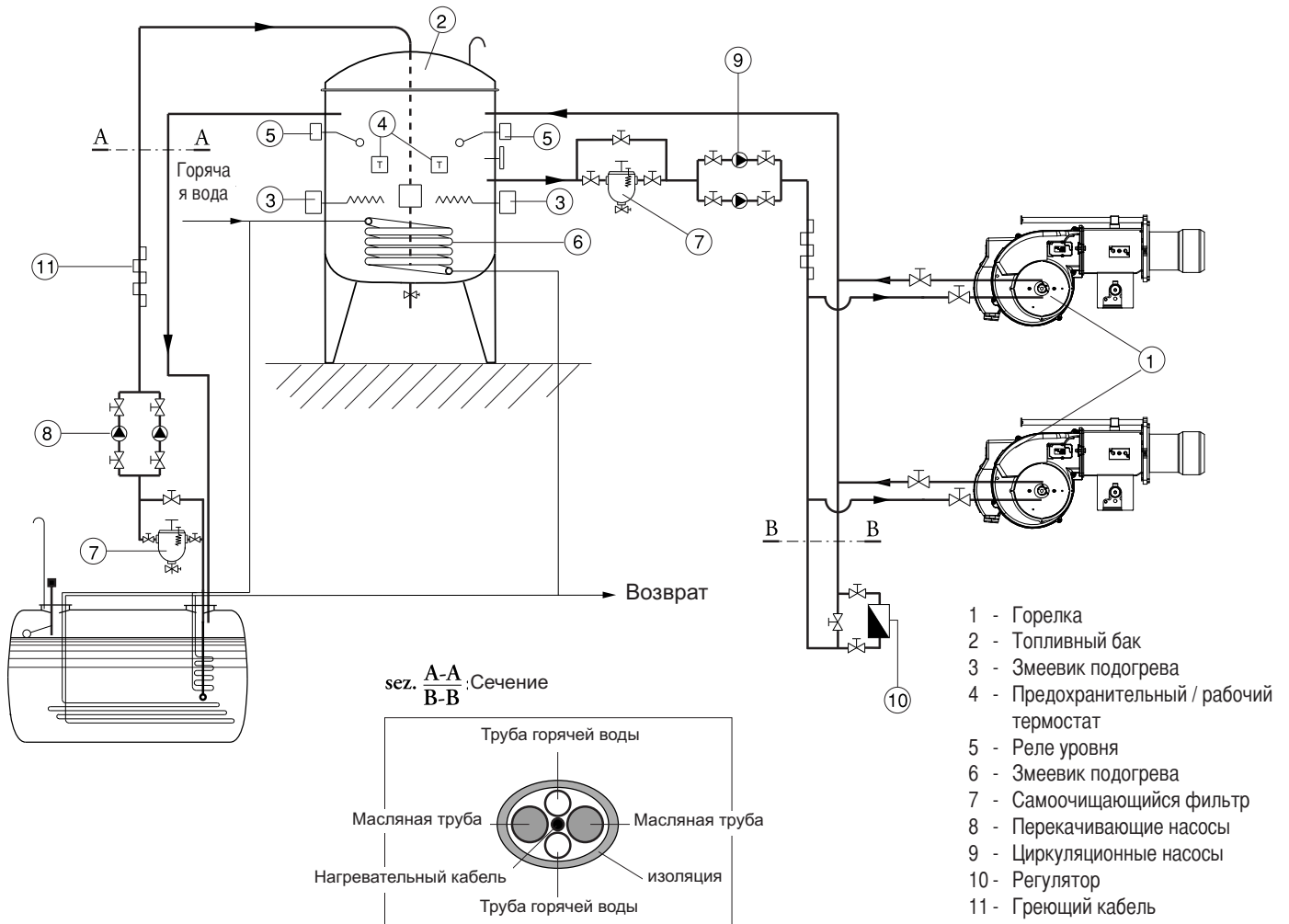
- А - Изоляция
- В - Греющий кабель
- С - Топливопровод



**ВНИМАНИЕ:** Все топливопроводы должны быть оснащены греющим кабелем и изолированы (см. сеч. А-А).

## Установка - Линия питания горючего

Схема подачи мазута с вязкостью не более 50°E при 50°С



**ВНИМАНИЕ:** Все топливопроводы должны быть оснащены греющим кабелем и изолированы (см. сеч. А-А).

## Ввод в эксплуатацию - Данные конфигурации - Регулировка подачи воздуха

| Maxflam 30 AB |            |  |            |             |           |                |             |                                  |                             |                             |            |
|---------------|------------|--|------------|-------------|-----------|----------------|-------------|----------------------------------|-----------------------------|-----------------------------|------------|
| Расход кВт    |            | противодавление в камере сгорания mbar |            | Расход кг/ч |           | ФОРСУНКА 60°НО |             | Давление топливного насоса (бар) | РЕГУЛИРОВКА ОГНЕВОЙ ГОЛОВКИ | РЕГУЛИРОВКА РАСХОДА ВОЗДУХА |            |
| 1° этапе      | 2° этапе   | 1° этапе                               | 2° этапе   | 1° этапе    | 2° этапе  | 1° этапе       | 2° этапе    |                                  |                             | 1° этапе                    | 2° этапе   |
| 205           | 274        | 1,6                                    | 3,3        | 18          | 24        | 3,00           | 1,00        | 23                               | 1                           | 18°                         | 30°        |
| <b>239</b>    | <b>331</b> | <b>1,3</b>                             | <b>3,7</b> | <b>21</b>   | <b>29</b> | <b>3,50</b>    | <b>1,50</b> | <b>23</b>                        | <b>2</b>                    | <b>20°</b>                  | <b>40°</b> |
| 274           | 388        | 1                                      | 4          | 24          | 34        | 4,00           | 2,00        | 23                               | 3                           | 20°                         | 60°        |

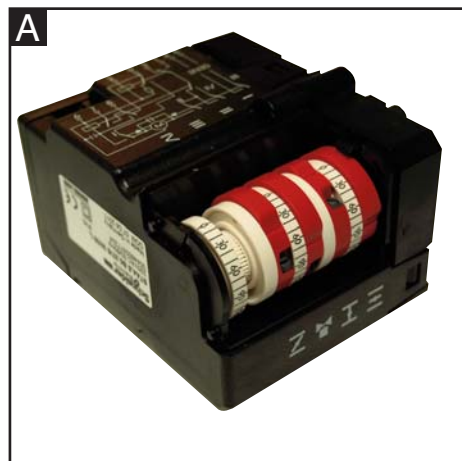
  

| Maxflam 50 AB |            |  |          |             |           |                |             |                                  |                             |                             |            |
|---------------|------------|--|----------|-------------|-----------|----------------|-------------|----------------------------------|-----------------------------|-----------------------------|------------|
| Расход кВт    |            | противодавление в камере сгорания mbar |          | Расход кг/ч |           | ФОРСУНКА 60°НО |             | Давление топливного насоса (бар) | РЕГУЛИРОВКА ОГНЕВОЙ ГОЛОВКИ | РЕГУЛИРОВКА РАСХОДА ВОЗДУХА |            |
| 1° этапе      | 2° этапе   | 1° этапе                               | 2° этапе | 1° этапе    | 2° этапе  | 1° этапе       | 2° этапе    |                                  |                             | 1° этапе                    | 2° этапе   |
| 205           | 296        | 1,5                                    | 3,5      | 18          | 26        | 3,00           | 1,50        | 23                               | 1                           | 15°                         | 40°        |
| <b>262</b>    | <b>388</b> | <b>1,3</b>                             | <b>4</b> | <b>23</b>   | <b>34</b> | <b>4,00</b>    | <b>2,00</b> | <b>22</b>                        | <b>2</b>                    | <b>20°</b>                  | <b>50°</b> |
| 308           | 479        | 1,4                                    | 4,7      | 27          | 42        | 4,50           | 2,50        | 23                               | 3                           | 20°                         | 50°        |

Указанные выше регулировки – это основные регулировки. С этими установками, обычно, горелка может быть введена в эксплуатацию. Регулировка должна быть проверена с

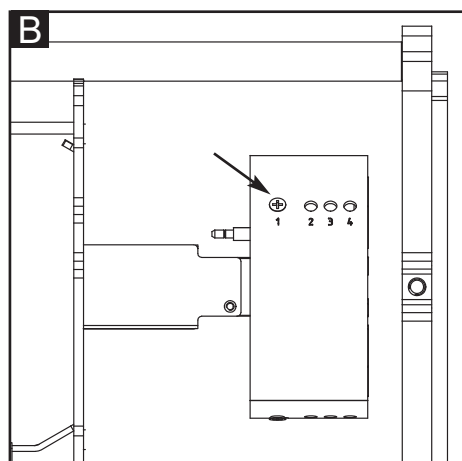
использованием анализатора сгорания. Могут стать необходимыми корректировки, подчиняющиеся отдельной установке. Благоприятных значений показателей

сгорания можно достичь посредством использования следующих форсунок :  
DANFOSS H+S 80°+60°  
DELANAN W 60°  
STEINEN S 60°



**Регулировка подачи воздуха (А).**  
 Демонтируйте крышку корпуса для доступа к регуляторам. Регулирование кулачков производится с и отвертки. указаниями :  
 I - Ограничительный переключатель для установки воздушной заслонки в положение HIGH FLAME (Максимальная мощность).  
 II - Данный регулятор позволяет закрывать воздушную заслонку (0°).  
 III - Дополнительный регулятор для перевода горелки на вторую ступень (HIGH FLAME).  
 IV - Ограничительный переключатель для установки воздушной заслонки в положение LOW FLAME.

**ПРИМЕЧАНИЕ:** Регулятор III (позволяет открывать электромагнитный клапан 2-ой ступени) установлен в промежуточное положение (угол приблизительно на 50 больше, чем в режиме низкого пламени).



**Регулировка огневой головки (В).**  
 Снимите горелку с монтажного фланца. При помощи отвертки измените положение полосы (1,2,3,4), как показано на рис. В. Снова установите горелку на монтажный фланец и прикрепите ее к котлу.

## Ввод в эксплуатацию - Регулировка горелки - Регулировка давления дизельного топлива



**Опасность вспышки!** Постоянно контролируйте содержание CO, CO2 и дымовые выбросы в процессе регулировки. В случае образования CO оптимизируйте значения горения. Содержание CO не должно превышать 50 пропромилле.

### Запуск горелки

Перед запуском горелки заполнить систему труб до заполнения фильтра газойля. Затем, запустите горелку, включив регулятор котла. Для обеспечения полного удаления воздуха из топливопровода во время фазы предварительной вентиляции откройте винт продувки на топливном фильтре. При этом разрежение не должно опускаться ниже 0,4 бар. Когда фильтр полностью заполнится топливом и топливо появится на поверхности без пузырьков воздуха, закройте винт продувки.

### Регулировка мощности горелки

Отрегулировать давление газойля таким образом, что горелка будет иметь желаемую мощность, поворачивая регулятор давления. Всегда проверяйте показатели сгорания (CO, CO2, показатель задымленности). При необходимости, измените расход воздуха, пр необходимости увеличив его.

### Оптимизация показателей сгорания

В случае неудовлетворительных значений показателей сгорания изменить положение огневой головки. Таким образом будут изменены поведение при запуске и показатели сгорания. При необходимости компенсируйте изменение расхода воздуха, регулируя положение воздушной заслонки.

**Внимание! Соблюдайте минимальную необходимую температуру топочных газов, следуя указаниям производителя котла и принимая во внимание тип вытяжных труб, чтобы избежать эффекта конденсации.**

### Регулирование давления дизельного топлива

Для регулировки давления газойля (и, следовательно, мощности горелки) повернуть регулятор давления 5 насоса.

Поворот:

- вправо: увеличение давления

- влево: уменьшение давления

Для контроля необходимо подключить манометр к подсоединению, манометр 3, резьба R1/8".

### Контроль разрежения

Вакуумметр для контроля разрежения устанавливается в точке измерения 4, резьба R1/8".

Максимальное допустимое разрежение: 0,4 бар. При большем разрежении топливо превращается в газ, что приводит к возникновению треска в насосе и его повреждению.

### РЕГУЛИРОВАНИЕ ТОПЛИВНЫХ ТЕРМОСТАТОВ

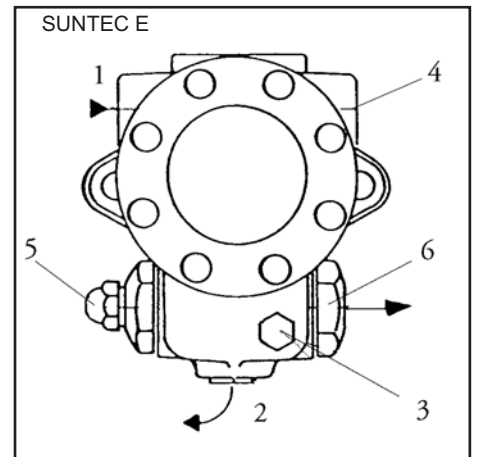
Рабочий термостат нагревательных элементов устанавливается на 100°-140°C, а предохранительный задан. Эти значения могут незначительно изменяться в зависимости от типа

топлива и иных условий эксплуатации.  
A - Рабочий термостат (100°-140° C).  
B - Резервный термостат (150° C).  
C - Увольнение главы термостат (120°-140° C).

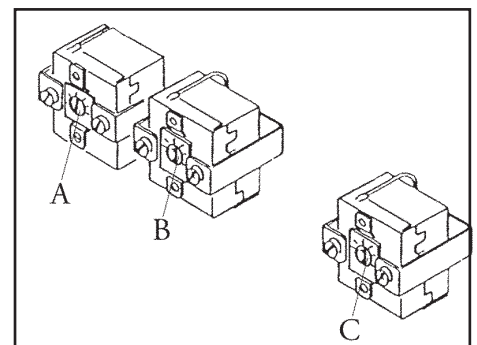
### Контроль работы

Технический контроль безопасного горения должен осуществляться как при первом пуске, так и после проведения ремонта, осмотров или продолжительного простоя оборудования.

- Попытка запуска с перекрытым фотозлементом детектора пламени: по истечении времени безопасности блок управления и безопасности должен перейти в двигаться аномалия.
- Попытка запуска с освещенным фотозлементом детектора пламени: после 5-секундной предварительной вентиляции блок управления и безопасности должен перейти в двигаться аномалия.
- Обычный пуск: если горелка работает, перекройте фотозлемент детектора пламени: после нового запуска по истечении времени безопасности блок управления и безопасности должен перейти в двигаться аномалия.



- 1 Всасывающий штуцер.
- 2 Нагнетательный штуцер.
- 3 Точка подключения манометра (давление топлива).
- 4 Точка подключения манометра (разрежение).
- 5 Регулирование давления дизельного топлива.
- 6 Штуцер давления.



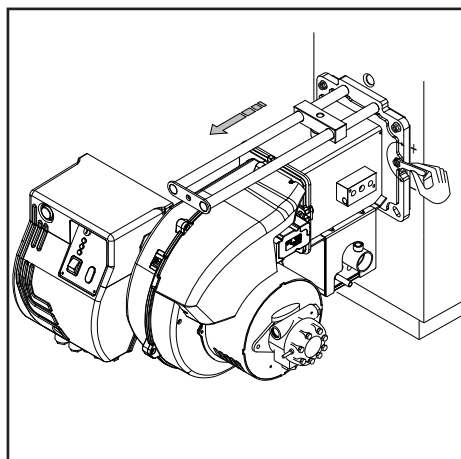
| <b>Регистрация данных о вводе в эксплуатацию</b> |     |     |     |
|--|-----|-----|-----|
| Тест   |     | n°1 | n°2 |
| Дата   |     |     |     |
| Модель   |     |     |     |
| Тип мазута                                       |     |     |     |
| Значение калорийности мазута                     |     |     |     |
| Мощность горелки                                 | min | кВт |     |
| Мощность горелки                                 | max | кВт |     |
| Температура дыма                                 |     | С°  |     |
| Температура воздуха                              |     | С°  |     |
| CO <sub>2</sub>                                  |     | %   |     |
| CO   |     | ppm |     |
| NOx  |     | ppm |     |
| КПД  |     | %   |     |
| Корректирующие действия                          |     |     |     |
| Имя оператора                                    |     |     |     |
| Предприятие                                      |     |     |     |

## Техническое - Работы по техническому обслуживанию

Работы по техническому обслуживанию котла и горелки должны выполняться только специалистом-теплотехником. Для обеспечения регулярного обслуживания пользователю рекомендуется заключить договор на техническое обслуживание.

### Внимание

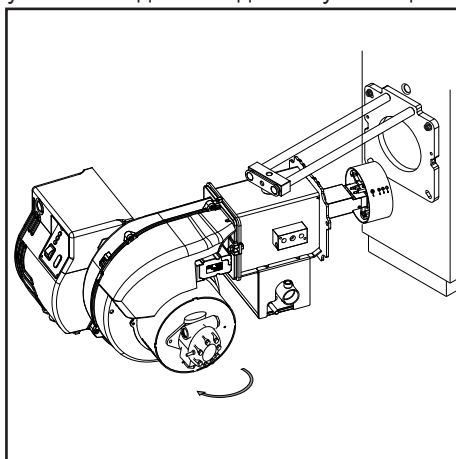
• Перед выполнением любых работ по техническому обслуживанию и очистке отключите электропитание.



• Блокирование и компоненты головки могут быть горячими.

### Проверка температуры топочных газов

- Регулярно проверяйте температуру дымовых газов.
- Выполняйте очистку котла, если температура продуктов сгорания более чем на 30° С превышает значение температуры, измеренное при пуске горелки в эксплуатацию.
- С целью упрощения контроля установить дисплей для визуализации



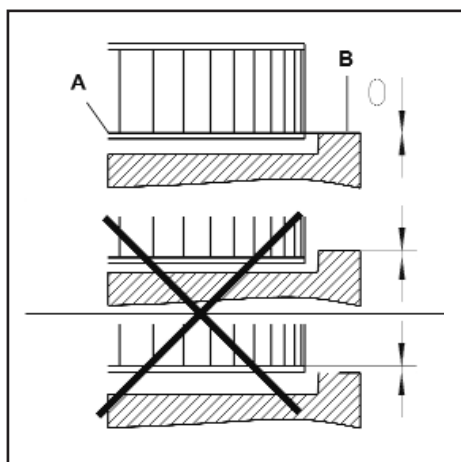
температуры выхлопных дымов.

### Положения техобслуживания

- Ослабив крепежные винты фланца горелки, ее можно извлечь и повернуть в положение обслуживания (как показано на рисунке) для:
  - Замены форсунки
  - Замены и регулировки электродов
  - Чистки/замены диска сгорания
  - Регулировки полосы подачи воздуха

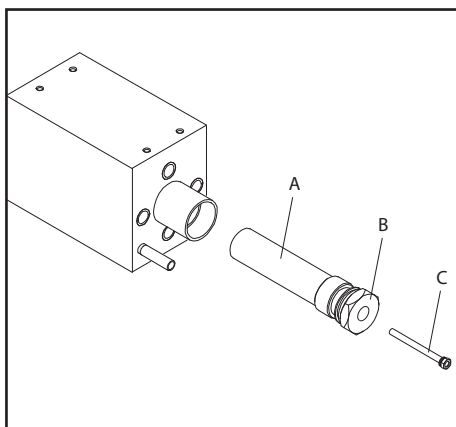
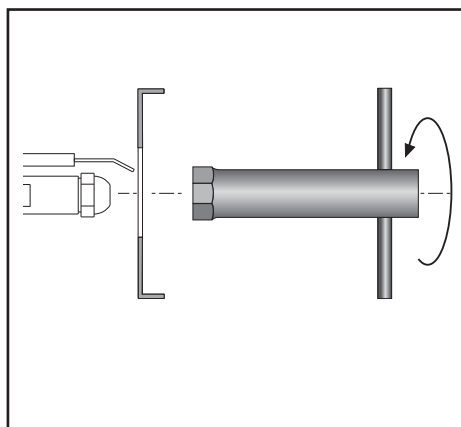
### Положения для технического обслуживания

- Проверьте рабочее колесо вентилятора и корпус и убедитесь, что они не повреждены.
- Проверьте и очистите головку горелки.
- Замените форсунку.
- Проверьте электроды, при необходимости отрегулируйте или замените их.
- Установите головку горения. Проверьте регулировки.
- Установите горелку.
- Запустите горелку, проверьте процесс сгорания и, при необходимости, откорректируйте регулировки горелки.
- Положение для технического обслуживания
  - Все компоненты системы подачи топлива (шланги, насос, трубка соединения с линией форсунки) и их соединения должны быть проверены (герметичность, износ) и, при необходимости, заменены.
  - Проверьте все электрические подключения и кабели, при необходимости замените их.
  - Проверьте состояние фильтра насоса и, при необходимости, очистите его.



### Агрегат вентилятора

При замене электродвигателя или рабочего колеса, сверяйтесь с приведенной напротив схемой установки. Внутренняя сторона А фланца рабочего колеса должна быть на одном уровне с панелью В. Вставьте линейку между лопатками рабочего колеса и приведите элементы А и В к одному уровню. Затянуть винт без головки с надрезом на крыльчатке вентилятора.



### Чистка и замена форсунки

Для демонтажа форсунки пользуйтесь исключительно имеющимся в комплекте ключом. Обратите внимание на то, чтобы не повредить электроды.

Установите новую форсунку, при этом монтаж следует выполнять с максимальной осторожностью. NB: После замены форсунки обязательно проверьте положение электродов (см.

### ОБСЛУЖИВАНИЕ ФИЛЬТРОВ БАЧКА-ПОДОГРЕВАТЕЛЯ

- 1 - Выключите горелку и дождитесь ее остывания.
- 2 - Снимите термометр С.
- 3 - Ослабить винт В и слить из бачка мазут, так чтобы его уровень опустился ниже фильтра
- 4 - Отвинтить и извлечь из посадочного гнезда шток А.
- 5 - После чистки фильтра собрать его как показано на рисунке и вставить в посадочное гнездо.

Напоминаем, что во время работы горелки бачок-подогреватель находится под давлением приблизительно 23 бар, поэтому проводить вышеописанные работы при работающей горелке очень опасно.

рис.). Неправильное положение электродов может затруднить розжиг горелки.

## Техническое - Возможные неполадки

### Причины неисправностей и способы их устранения

При отклонениях от нормы, должны быть проверены нормальные условия для работы горелки:

1. Есть электрический ток?
2. Есть топливо в баке?
3. Все запорные краны открыты?
4. Правильно ли настроены все регулирующие и предохранительные устройства, такие как термореле котла, предохранитель от недостатка воды, электрические концевые выключатели?

В случае, если после контролей в названных точках аномалия

сохранится, пользоваться следующей таблицей.

Ни один из существенных компонентов системы безопасности не должен ремонтироваться; эти компоненты должны заменяться компонентами с таким же обозначением.

### Используйте только оригинальные запасные части.

### ВВ: После проведения любых работ:

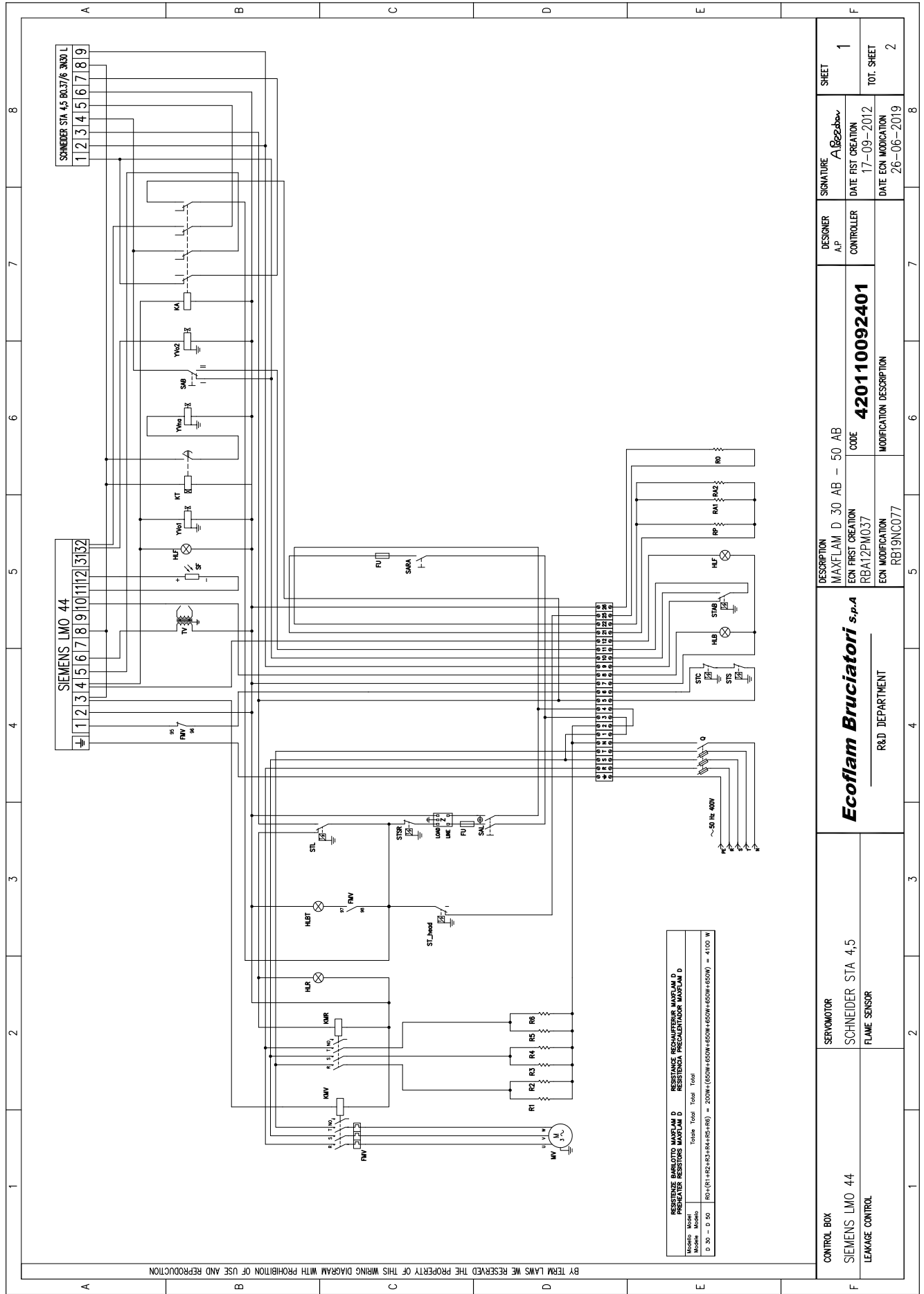
- выполните проверку параметров горения в реальных условиях эксплуатации (дверцы закрыты, крышка

на месте и т. д.).

- отрегулировать параметры сгорания в технических документах станции.

| Таблица кода ошибок                         |                |   |
|---|----------------|---|
| Код красного мигания сигнальной лампы (LED) | «AL» на клм.10 | Возможная причина   |
| 2 мигания                                   | Вкл            | Нет стабилизации пламени в конце «TSA»<br>- неисправные или грязные топлив. клапаны - неисправный или грязный датчик пламени<br>- плохая настройка горелки, нет топлива - неисправная система зажигания |
| 3 мигания                                   | Вкл            | Не имеется  |
| 4 мигания                                   | Вкл            | Посторонний свет при пуске горелки  |
| 5 мигания                                   | Вкл            | Не имеется  |
| 6 мигания                                   | Вкл            | Не имеется  |
| 7 мигания                                   | Вкл            | Частое пропадание пламени во время работы (ограничение количества повторений)<br>- неисправные или грязные топлив. клапаны. - неисправный или грязный датчик пламени<br>- плохая настройка горелки.     |
| 8 мигания                                   | Вкл            | Время контроля жидкотоплив.подогревателя. - жидкотопливный подогреватель отказал 5 раз во время предпродувки  |
| 9 мигания                                   | Вкл            | Не имеется  |
| 10 мигания                                  | off<br>Вкл     | Ошибка в разводке проводов или внутренняя ошибка, контакты вывода, другие отказы<br>3-х кратный временной отказ контактов вывода  |

Overview - Electric diagrams / Panoramica - Schemi elettrici / Vue d'ensemble - Schémas électrique / Descripción - Esquemas eléctrico /  
Обзор - Электрические схемы

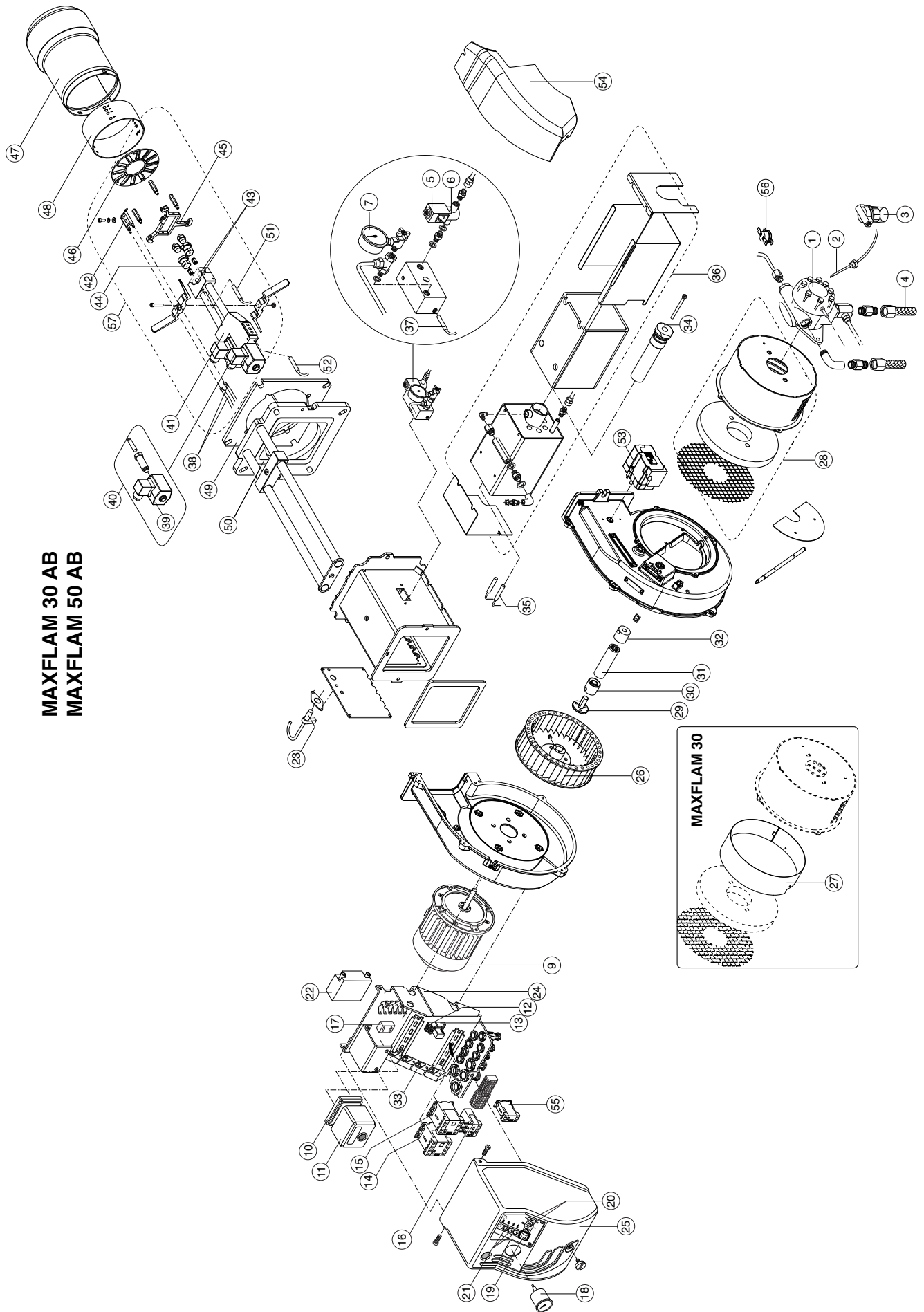




|             |   |  |
|-------------|---|--|
| Q           | – | Главный выключатель с предохранителем        |
| Z           | – | Фильтр от помех                              |
| FU          | – | Предохранитель                               |
| MP          | – | Двигатель насоса                             |
| MV          | – | Двигатель вентилятора                        |
| TV          | – | Трансформатор розжига                        |
| SF          | – | Фотозлемент                                  |
| ER          | – | Электрод ионизации пламени (датчик пламени)  |
| FMV         | – | Тепловое реле двигателя вентилятора          |
| HLB         | – | Лампа индикации «АВАРИЯ»                     |
| KMV         | – | Реле пуска двигателя                         |
| KMR         | – |  |
| RA1         | – |  |
| RA2         | – |  |
| RP          | – |  |
| RO          | – |  |
| R1....R6    | – | НАГРЕВАТЕЛЬНЫЕ ЭЛЕМЕНТЫ                      |
| SAL         | – | Выключатель горелки (питание)                |
| STL         | – |  |
| SPA         | – | Реле давления воздуха                        |
| STC         | – | Термостат котла (термопара)                  |
| STS         | – | Термостат котла ПРЕДОХРАНИТЕЛЬНЫЙ            |
| HLBT        | – | Лампа индикации «ПЕРЕГРЕВ ДВИГАТЕЛЯ»         |
| STAB        | – | Термостат котла РЕГУЛИРУЮЩИЙ (больше-меньше) |
| HLF         | – | МАЗУТ ИНДИКАТОРНАЯ ЛАМПОЧКА                  |
| HLR         | – |  |
| YVna        | – |  |
| YV01        | – |  |
| YV02        | – |  |
| SARA        | – |  |
| STSR        | – |  |
| SThead      | – |  |
| ST stand-by | – |  |
| SAB         | – |  |
| KA          | – | РЕЛЕ   |

Overview - Spare parts list / Panoramica - Parti di ricambio / Vue d'ensemble - Pièces de rechange / Descripción - Piezas de recambio /  
Обзор - Запчасти

**MAXFLAM 30 AB**  
**MAXFLAM 50 AB**



Overview - Spare parts list / Panoramica - Parti di ricambio / Vue d'ensemble - Pièces de rechange / Descripción - Piezas de recambio /  
Обзор - Запчасти

| N° | DESCRIPTION                 | DESCRIZIONE                         | DESIGNATION                              | code     | MAXIFLAM 30 AB | code     | MAXIFLAM 50 AB |
|----|-----------------------------|-------------------------------------|--|----------|----------------|----------|----------------|
| 1  | PUMP                        | POMPA                               | SUNTEC E 4NC 10695                       | 65322954 |                | 65322954 |                |
| 2  | HEATING ELEMENT PUMP        | RESISTENZA                          | 50 W                                     | 65323072 |                | 65323072 |                |
| 3  | FILTER                      | FILTRO                              | 70104-03                                 | 65324806 |                | 65324806 |                |
| 4  | HOSSES                      | FLESSIBILI                          | 70501/03 GR                              | 65324103 |                | 65324103 |                |
| 5  | COIL                        | BOBINA                              | TN 18X1500                               | 65323182 |                | 65323182 |                |
| 6  | VALVE                       | ELETTROVALVOLA                      | Parker JB 18                             | 65323781 |                | 65323781 |                |
| 7  | MANOMETER                   | MANOMETRO                           | Parker SCEM 120 8AR JB 18                | 65323628 |                | 65323628 |                |
| 8  | CAPACITOR                   | CONDENSATORE                        | CEWAL R1/4 D                             | 65324105 |                | 65324105 |                |
| 9  | MOTOR                       | MOTORE                              | 740 W                                    | 65322834 |                | 65322834 |                |
| 10 | CONTROL BOX BASE            | ZOCOLO                              | SIEMENS                                  | 65320092 |                | 65320092 |                |
| 11 | CONTROL BOX                 | APPARECCHIATURA DI CONTROLLO        | SIEMENS                                  | 65320092 |                | 65320092 |                |
| 12 | RELAY BASE                  | ZOCOLO RELE'                        | SIEMENS LMO44.255C2<br>947/ASMA (R.5534) | 65320024 |                | 65320024 |                |
| 13 | RELAY                       | RELE'                               | FINDER 5534                              | 65323150 |                | 65323150 |                |
| 14 | REMOTE CONTROL SWITCH       | CONTATTATORE RESISTENZE             | TELERUPTEUR DE RESISTANCES               | 65323140 |                | 65323140 |                |
| 15 | REMOTE CONTROL SWITCH MOTOR | CONTATTATORE MOTORE                 | TELERUPTEUR DE MOTEUR                    | 65323132 |                | 65323132 |                |
| 16 | MOTOR THERMAL RELAY         | RELE' TERMICO MOTORE                | RELAIS THERMIQUE                         | 65323132 |                | 65323132 |                |
| 17 | ANTIQUAMMING FILTER         | FILTRO ANTIDISTURBO                 | LOVATO RP9 3-5A                          | 65323100 |                | 65323100 |                |
| 18 | THERMOMETER                 | TERMOMETRO                          | IMIT 0-200                               | 65323170 |                | 65323170 |                |
| 19 | MAIN SWITCH                 | INTERRUTTORE                        | MIT 0-200                                | 65323093 |                | 65323093 |                |
| 20 | SWITCH                      | INTERRUTTORE BIPOLARE CON LED VERDE | cod.4010011509                           | 65323064 |                | 65323064 |                |
| 21 | LAMP                        | LAMPADA                             | EL/N-SC4 Elettrospring                   | 65323065 |                | 65323065 |                |
| 22 | IGNITION TRANSFORMER        | TRASFORMATORE                       | TRANSFORMATEUR                           | 65322053 |                | 65322053 |                |
| 23 | PHOTORESISTOR               | FOTORESISTENZA                      | CELLULE                                  | 65320076 |                | 65320076 |                |
| 24 | BOX SUPPORT                 | SUPPORTO CASSETTA                   | SIEMENS QRBTA-A050B70A2                  | 65320077 |                | 65320077 |                |
| 25 | BOX                         | CASSETTA                            | 200X80                                   | 65320198 |                | 65320198 |                |
| 26 | FAN                         | VENTOLA                             | BOITIER                                  | 65320477 |                | 65320477 |                |
| 27 | AIR WAISTBAND               | FASCIA                              | TURBINE                                  | 65325272 |                | 65325272 |                |
| 28 | COVER AIR INLET             | BOITE D'AIR                         | CEINTURE AIR                             | 65325945 |                | 65325945 |                |
| 29 | COUPLING FAN HUB            | GIUNTO PER MOZZO VENTOLA            | BOITE POUR MOYEU VENTILATEUR             | 65325282 |                | 65325282 |                |
| 30 | COUPLING (FAN)              | GIUNTO VENTOLA                      | JOINT DU VENTILATEUR                     | 65325308 |                | 65325308 |                |
| 31 | COUPLING                    | GIUNTO GOMMA                        | JOINT DE CAOUTCHOUC                      | 65324205 |                | 65324205 |                |
| 32 | COUPLING (PUMP)             | GIUNTO POMPA                        | JOINT DE LA POMPE                        | 65324200 |                | 65324200 |                |
| 33 | THERMOSTAT                  | TERMOSTATO                          | IMIT TR2 40/200                          | 65324204 |                | 65324204 |                |
| 34 | FILTER                      | FILTRO                              | FAG 90025                                | 65323147 |                | 65323147 |                |
| 35 | HEATER                      | RESISTENZE                          | 650 W                                    | 65325059 |                | 65325059 |                |
| 36 | OIL TANK                    | BARILOTTO                           | RESISTANCES                              | 65324206 |                | 65324206 |                |
| 37 | HEATER                      | RESISTENZE                          | RECHAUFFAGE                              | 65325283 |                | 65325283 |                |
| 38 | CABLE                       | CAVO                                | 50 W                                     | 65323072 |                | 65323072 |                |
| 39 | COIL                        | BOBINA                              | Parker JB 18                             | 65324863 |                | 65324863 |                |
| 40 | OIL VALVE                   | ELETTROVALVOLA                      | Parker SCEM 120 8AR JB                   | 65323781 |                | 65323781 |                |
| 41 | FIRING HEAD                 | TESTA DI COMBUSTIONE                | TETE DE COMBUSTION                       | 65323629 |                | 65323629 |                |
| 42 | ELECTRODES                  | ELETTRODI                           | TC                                       | 65325890 |                | 65325890 |                |
| 43 | ROD NOZZLE HOLDER           | GRUPPO ASTA SPILLO                  | ELECTRODE D'ALLUMAGE                     | 65325891 |                | 65325891 |                |
| 44 | NOZZLE HOLDER               | SUPPORTO UGELLO                     | TIGE PORTE GICLÉUR                       | 65325952 |                | 65325952 |                |
| 45 | DIFFUSER HOLDER             | CROCIERA DIFFUSORE                  | TC                                       | 65325284 |                | 65325284 |                |
| 46 | DIFFUSER                    | DIFFUSORE                           | TC                                       | 65325284 |                | 65325284 |                |
| 47 | BLAST TUBE                  | BOCCAGLIO                           | TC                                       | 65325285 |                | 65325285 |                |
| 48 | AIR CYLINDER                | FASCIA                              | VERIN AIR                                | 65073960 |                | 65073960 |                |
| 49 | GASKET                      | GUARNIZIONE                         | JOINT                                    | 65325892 |                | 65325892 |                |
| 50 | GASKET                      | GUARNIZIONE                         | JOINT                                    | 65325949 |                | 65325949 |                |
| 51 | IN FRONT OF HEAD HEATER     | RESISTENZA TESTA DAVANTI            | IN FRONT OF HEAD HEATER                  | 65325948 |                | 65325948 |                |
| 52 | BEHIND HEAD HEATER          | RESISTENZA TESTA DIETRO             | BEHIND HEAD HEATER                       | 65325315 |                | 65325315 |                |
| 53 | AIR DAMPER MOTOR            | MOTORIDUTTORE                       | COUVERCLE                                | 65325316 |                | 65325316 |                |
| 54 | COVER                       | COPERCHIO                           | COUVERCLE                                | 65324701 |                | 65324701 |                |
| 55 | TIMER                       | TEMPORIZZATORE                      | TEMPORISATEUR                            | 65325317 |                | 65325317 |                |
| 56 | THERMOSTAT                  | TERMOSTATO                          | TERMOSTAT                                | 65325317 |                | 65325317 |                |
| 57 | INNER ASSEMBLY              | GRUPPO TESTA                        | GRUPE TETE DE COMBUSTION                 | 65324208 |                | 65324208 |                |
|    |                             |                                     | 2456RC-9098-506                          | 65324207 |                | 65324207 |                |
|    |                             |                                     | LOVATO TM-P                              | 65325269 |                | 65325269 |                |
|    |                             |                                     | 2456RC-9098-506                          | 65325268 |                | 65325268 |                |
|    |                             |                                     | TC                                       | 65325309 |                | 65325309 |                |
|    |                             |                                     | TL                                       | 65325970 |                | 65325970 |                |
|    |                             |                                     | TL                                       | 65325971 |                | 65325971 |                |

TC = Testa corta / Short Head / Tete courte / Cabeza corta / КОРОТКАЯ ОГНЕВАЯ ГОЛОВКА TL = Testa lunga / Long Head / Tete longue / Cabeza larga / ДЛИННАЯ ОГНЕВАЯ ГОЛОВКА

## Overview - Spare parts list / Panoramica - Parti di ricambio / Vue d'ensemble - Pièces de rechange / Descripción - Piezas de recambio / Обзор - Запчасти

| N° DESCRIPCIÓN                     | НАИМЕНОВАНИЕ                                       | MAXIFLAM 30 AB<br>code      | MAXIFLAM 50 AB<br>code |
|------------------------------------|--|-----------------------------|------------------------|
| 1 BOMBA                            | НАСОС  | 65322954                    | 65322954               |
| 2 RESISTENCIAS                     | НАГРЕВАТЕЛЬНЫЙ ЭЛЕМЕНТ                             | SUNITEC E 4NC 10695<br>50 W | 65323072               |
| 3 FILTRO                           | ФИЛЬТР   | 70104-03                    | 65324806               |
| 4 LATIGUILLOS                      | ГИБКИЕ ШЛАНГИ                                      | 70501/03 GR                 | 65324103               |
| 5 BOBINA                           | КАТУШКА  | TN 18X1500                  | 65323182               |
| 6 VALVULA                          | ЭЛЕКТРОКЛАПАН                                      | Parker JB 18                | 65323781               |
| 7 MANOMETRO                        | МАНОМЕТР   | Parker SCEM 120 8AR JB 18   | 65323628               |
| 8 CAPACITOR                        | КОНДЕНСАТОР  | CEWAL R1/4 D                | 65324105               |
| 9 MOTOR                            | ДВИГАТЕЛЬ  | 740 W                       | -                      |
|                                    |  | 1100 W                      | 65325323               |
| 10 BASE DEL EQUIPO                 | МОНТАЖНАЯ ПЛАСТИНА АППАРАТУРЫ УПРАВЛЕНИЯ           | SIEMENS                     | 65320092               |
| 11 EQUIPO CONTROL LLAMA            | КОНТРОЛЬНАЯ АППАРАТУРА                             | SIEMENS LMO44 255C2         | 65320024               |
| 12 BASE DEL RELE'                  | МОНТАЖНАЯ ПЛАСТИНА РЕЛЕ'                           | 9474SMA (R.5534)            | 65323150               |
| 13 RELE'                           | РЕЛЕ   | FINDER 5534                 | 65323140               |
| 14 CONTACTOR RESISTENCIAS          | ПУСКАТЕЛЬ ТЭНов                                    | AEG LS05.10                 | 65323132               |
| 15 EMPALME MOTOR VENTILADOR        | ПУСКАТЕЛЬ ВВРАВНИВАЮЩИХ ТЭНов                      | AEG LS05.10                 | 65323132               |
| 16 RELE' TERMICO MOTOR             | ТЕПЛОВОЕ РЕЛЕ ДВИГАТЕЛЯ                            | AEG 2-3.2A                  | 65323122               |
|                                    |  | LOVATO RF9 3-5A             | 65323100               |
| 17 FILTRO ANTI-TRASORNO            | ФИЛЬТР ПОДАВЛЕНИЯ ПОМЕХ                            | 65323170                    | 65323170               |
| 18 TERMOMETRO                      | ТЕРМОМЕТР  | IMT 0-200                   | 65323093               |
| 19 INTERRUPTOR DE LINEA            | ВЫКЛЮЧАТЕЛЬ 2-ПОЗИЦИОННЫЙ С СВЕТОДИОДОМ ЗЕЛ. ЦВЕТА | cod.4010011509              | 65323064               |
| 20 INTERRUPTOR                     | ПЕРЕКЛЮЧАТЕЛЬ РЕЖИМОВ МОЩНОСТИ                     | cod.3600000001              | 65323065               |
| 21 ESPIA                           | ИНДИКАТОРНАЯ ЛАМПОЧКА                              | EL/N-SCA Electrospring      | 65322053               |
| 22 TRANSFORMADOR                   | ТРАНСФОРМАТОР                                      | 65323235                    | 65323235               |
| 23 FOTORESISTENCIA                 | ФОТОРЕЗИСТОР                                       | 65320076                    | 65320076               |
| 24 SOPORTE CAJETIN                 | ОПОРА КОРОБКИ                                      | 65325198                    | 65325198               |
| 25 CAJETIN                         | КОРОБКА  | 65320477                    | 65320477               |
| 26 VENTILADOR                      | РАБОЧЕЕ КОЛЕСО ВЕНТИЛЯТОРА                         | 200X80                      | 65325272               |
| 27 BANDA AIRE                      | ПОЛОСА   | 65325545                    | -                      |
| 28 CIERRE EN ASPIRACION            | ВОЗДУХОЗАБОР                                       | 65325282                    | 65325282               |
| 29 ACORPLAMIENTO DE EJE VENTILADOR | МУФТА ДЛЯ СТУПИЦЫ ВЕНТИЛЯТОРА                      | 65325308                    | 65325308               |
| 30 ACORPLAMIENTO VENTILADOR        | ВОЗДУХОЗАБОР                                       | 65324205                    | 65324205               |
| 31 ACORPLAMIENTO BOMBA             | МУФТА РАБОЧЕГО КОЛЕСА ВЕНТИЛЯТОРА                  | 65324200                    | 65324200               |
| 32 ACORPLAMIENTO BOMBA             | ПРОМЕЖУТОЧНАЯ МУФТА                                | 65324204                    | 65324204               |
| 33 TERMOSTATO                      | ТЕРМОСТАТ  | IMT TR2 40/200              | 65323147               |
| 34 FILTRO                          | ФИЛЬТР   | FAG 90025                   | 65325059               |
| 35 RESISTENCIAS                    | НАГРЕВАТЕЛЬНЫЕ ЭЛЕМЕНТЫ                            | 65324206                    | 65324206               |
| 36 PRECALENTADOR                   | БАЧОК-ПОДОГРЕВАТЕЛЬ                                | 65325283                    | 65325283               |
| 37 RESISTENCIAS                    | НАГРЕВАТЕЛЬНЫЙ ЭЛЕМЕНТ                             | 65323072                    | 65323072               |
| 38 CABLE                           | ПРОВОД   | 65324863                    | 65324863               |
| 39 BOBINA                          | КАТУШКА  | Parker JB 18                | 65323781               |
| 40 VALVULA                         | ЭЛЕКТРОКЛАПАН                                      | Parker SCEM 120 8AR JB      | 65323629               |
| 41 CABEZA DE COMBUSTION            | ОГНЕВАЯ ГОЛОВКА                                    | TC                          | 65325890               |
|                                    |  | TL                          | 65325891               |
| 42 ELECTRODO                       | ЭЛЕКТРОДЫ  | 65325952                    | 65325952               |
| 43 ALFILER PORTACHICLER            | ШТОК   | 65325284                    | 65325284               |
| 44 PORTACHICLER                    | ДЕРЖАТЕЛЬ ФОРСУНКИ                                 | 65325285                    | 65325285               |
| 45 PORTA DIFUSOR                   | ДИФУЗОР ДЕРЖАТЕЛЬ                                  | 65073960                    | 65073960               |
| 46 DIFUSOR                         | РАССЕКАТЕЛЬ  | 65325892                    | 65325892               |
| 47 TUVO LLAMA                      | СТАКАН   | 65325949                    | 65325949               |
|                                    |  | TC                          | 65325948               |
|                                    |  | TL                          | 65325951               |
| 48 CILINDRO AIRE                   | ПОЛОСА ДЛЯ РЕГУЛИРОВКИ ВОЗДУХА                     | 65325316                    | 65325316               |
| 49 JUNTA                           | УПЛОТНИТЕЛЬНАЯ ПРОКЛАДКА                           | 65324701                    | 65324701               |
| 50 JUNTA                           | УПЛОТНИТЕЛЬНАЯ ПРОКЛАДКА                           | 65325317                    | 65325317               |
| 51 RESISTENCIAS CABEZA ANTERIOR    | Перед головой нагревателя                          | 200 W                       | 65324208               |
| 52 RESISTENCIAS CABEZA POSTERIOR   | За головой нагревателя                             | 30 W                        | 65324207               |
| 53 MOTORREDUCTOR                   | ЭЛЕКТРОПРИВОД ВОЗДУШНОЙ ЗАСЛОНКИ                   | SI 44.5 B0.37/6 3N30 L      | 65325269               |
| 54 TAPA                            | КРЫШКА   | 65325268                    | 65325268               |
| 55 TEMPORIZADOR                    | таймер   | 65325897                    | 65325897               |
| 56 TERMOSTATO                      | ТЕРМОСТАТ  | LOVATO TM-P                 | 65325309               |
|                                    |  | 2455RC-9098-506             | 65325970               |
| 57 GRUPO CABEZA DE COMBUSTION      | ОГНЕВАЯ ГОЛОВКА В БЛОКЕ                            | TC                          | 65325971               |
|                                    |  | TL                          | 65325971               |

TC = Testa corta / Short Head / Tete courte / Cabeza corta / КОРОТКАЯ ОГНЕВАЯ ГОЛОВКА TL = Testa lunga / Long Head / Tete longue / Cabeza larga / ДЛИННАЯ ОГНЕВАЯ ГОЛОВКА







# Ecoflam

## **Ecoflam Bruciatori S.p.A.**

Via Roma, 64 - 31023 Resana (TV) - Italy

Tel. +39 0423 719500

Fax +39 0423 719580

<http://www.ecoflam-burners.com>

e-mail: [export@ecoflam-burners.com](mailto:export@ecoflam-burners.com)

Società soggetta alla direzione e al coordinamento di Ariston Thermo S.p.A.

Via A. Merloni, 45 - 60044 Fabriano (AN) - CF 01026940427

Ecoflam Bruciatori S.p.A. reserves the right to make any adjustments, without prior notice, which is considered necessary or useful to its products, without affecting their main features

Ecoflam Bruciatori S.p.A. si riserva il diritto di apportare ai prodotti le modifiche che riterrà necessarie o utili, senza pregiudicarne le caratteristiche principali.

La maison Ecoflam Bruciatori S.p.A. se réserve le droit d'apporter les modifications qu'elle jugera nécessaires ou utiles à ses produits sans pour autant nuire à leurs caractéristiques principales

Ecoflam Bruciatori S.p.A. se reserva el derecho a introducir en sus productos todas las modificaciones que considere necesarias o utiles, sin perjudicar sus características

"Ecoflam Bruciatori S.p.A." оставляет за собой право вносить в конструкцию оборудования любые необходимые изменения без особого предупреждения